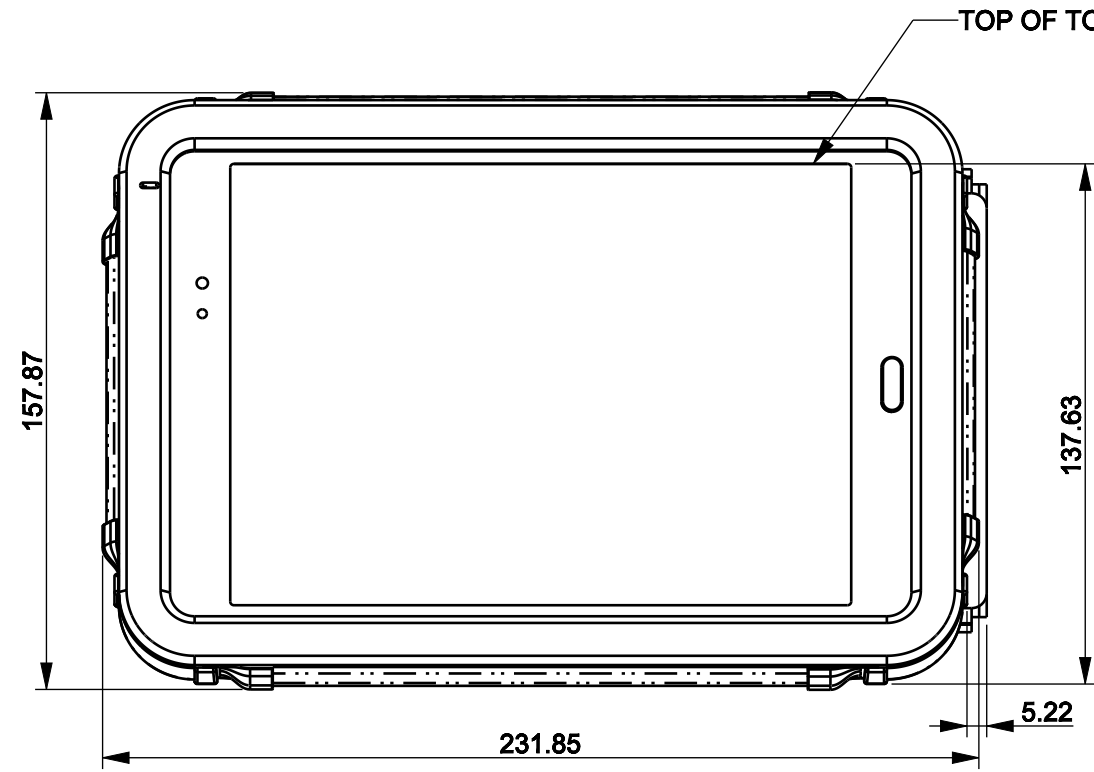
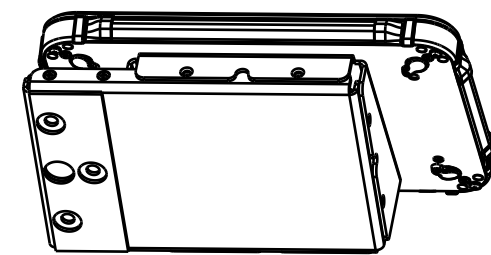
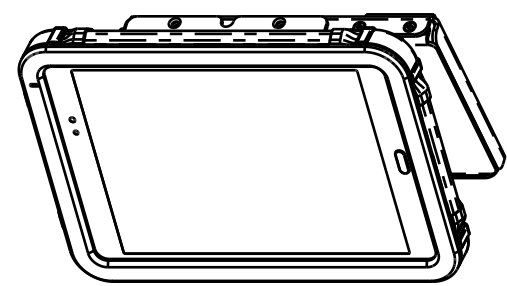
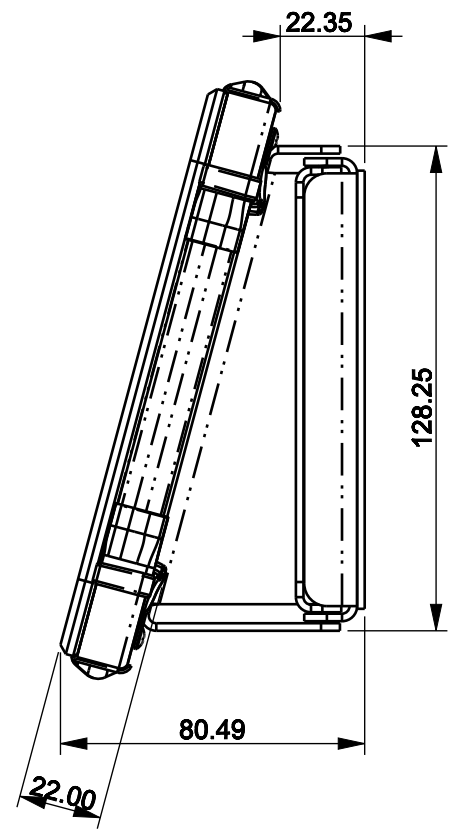
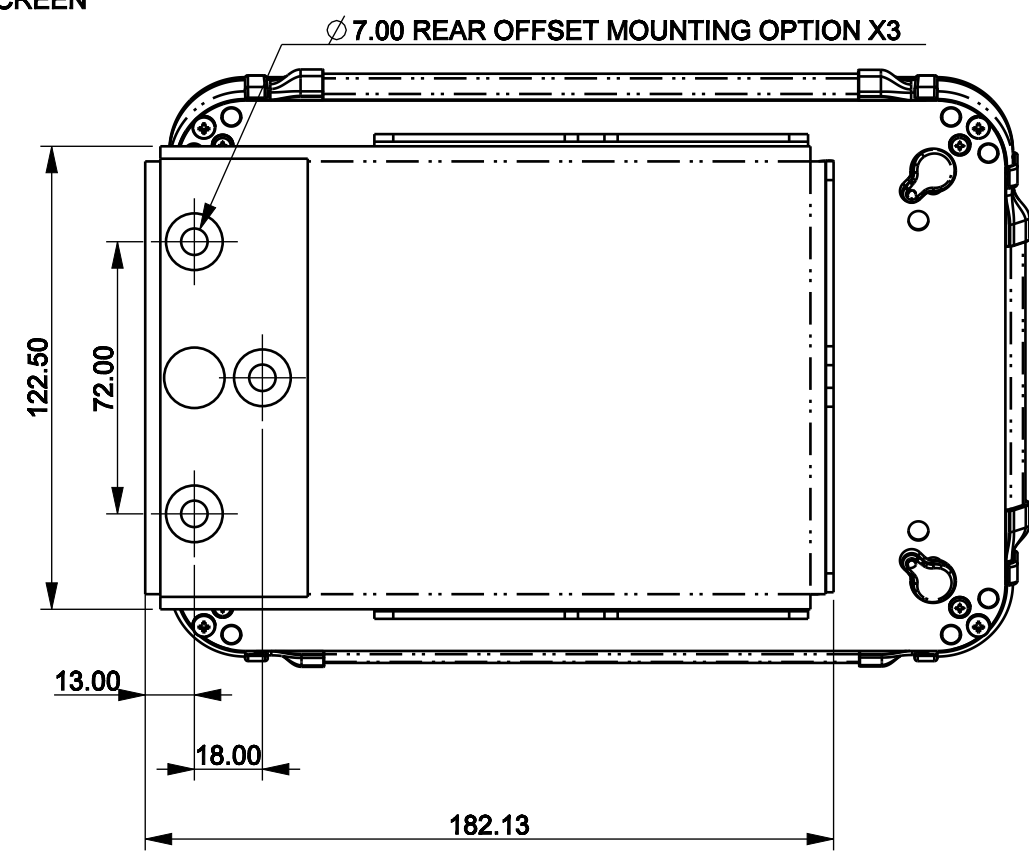


THIS DRAWING AND THE INFORMATION THEREIN ARE PROPERTY OF MAGTARGET AND SHALL NOT BE REPRODUCED, COPIED, RECORDED IN ANY MEDIA, USED FOR ANY OTHER PURPOSE OR DELIVERED AND/OR DISCLOSED TO ANY THIRD PARTY WITHOUT WRITTEN CONSENT OF MAGTARGET.

REVISIONS				
ZONE	REV	DESCRIPTION	DATE	APPROVED
			2020-06-02	



TOP OF TOUCH SCREEN



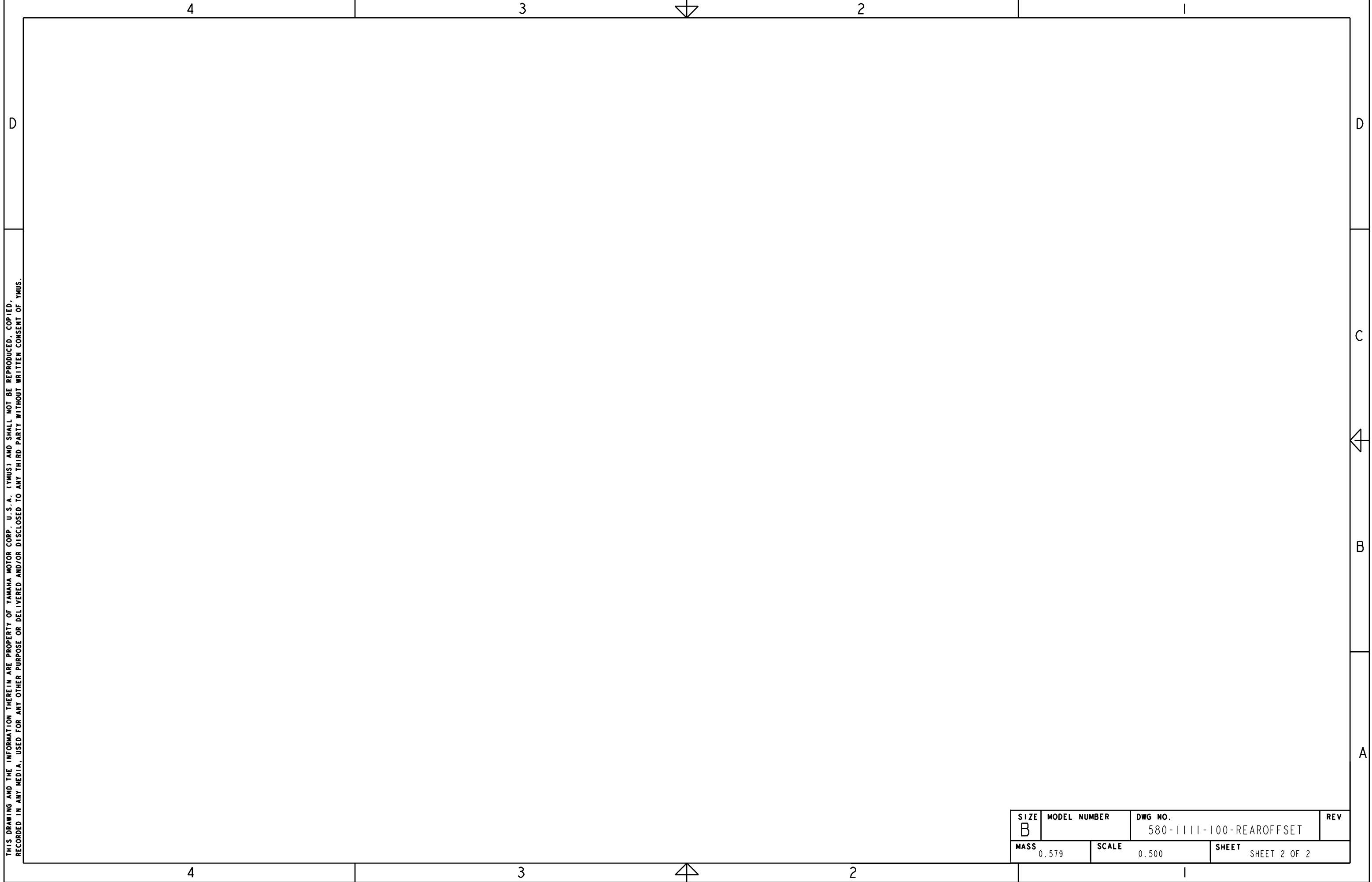
ITEM	DESCRIPTION	PART NUMBER	QTY
3	BRACKET, REAR-OFFSET,	273-0041	1
2	BRACKET, 15 DEGREES MOUNT,	273-0022-000	1
1		580-SUB-ASSM	1

UNLESS OTHERWISE SPECIFIED DIMENSIONS ARE IN MM. TOLERANCES ARE: MILLIMETERS ANGLES X ± 1.0 MM ± 0.5 .X ± 0.50 MM .XX ± 0.25 MM .XXX ± 0.125MM		- DO NOT SCALE DRAWING -	
FINISH		APPROVALS	DATE
		DRAWN BY	
		CHECKED	
		ENGINEER	
		MATERIAL	
REMOVE ALL BURRS & SHARP CORNERS		SIZE B	MODEL NUMBER
		MASS 0.579	DWG NO. 580-1111-100-REAROFFSET
		SCALE 0.500	REV
		SHEET SHEET 1 OF 2	

MagTarget

**VISUALTARGET 8" SAMSUNG TAB-A T350, 4 LIGHTS
15 DEGREE, REAROFFSET MOUNT**

SIZE B	MODEL NUMBER	DWG NO. 580-1111-100-REAROFFSET	REV
MASS 0.579	SCALE 0.500	SHEET SHEET 1 OF 2	



THIS DRAWING AND THE INFORMATION THEREIN ARE PROPERTY OF YAMAHA MOTOR CORP., U.S.A. (YMUS) AND SHALL NOT BE REPRODUCED, COPIED, RECORDED IN ANY MEDIA, USED FOR ANY OTHER PURPOSE OR DELIVERED AND/OR DISCLOSED TO ANY THIRD PARTY WITHOUT WRITTEN CONSENT OF YMUS.

SIZE B	MODEL NUMBER	DWG NO. 580-1111-100-REAROFFSET	REV
MASS 0.579	SCALE 0.500	SHEET SHEET 2 OF 2	