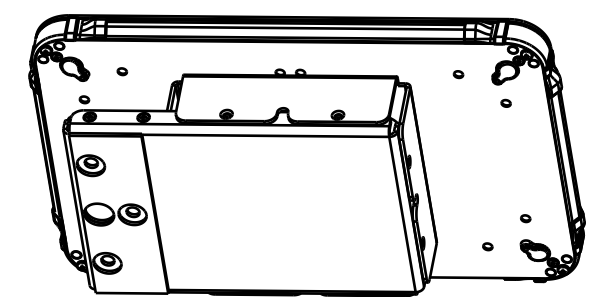
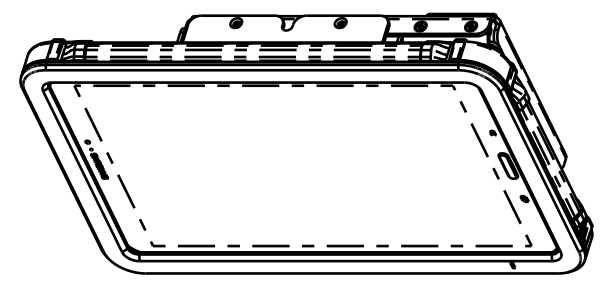
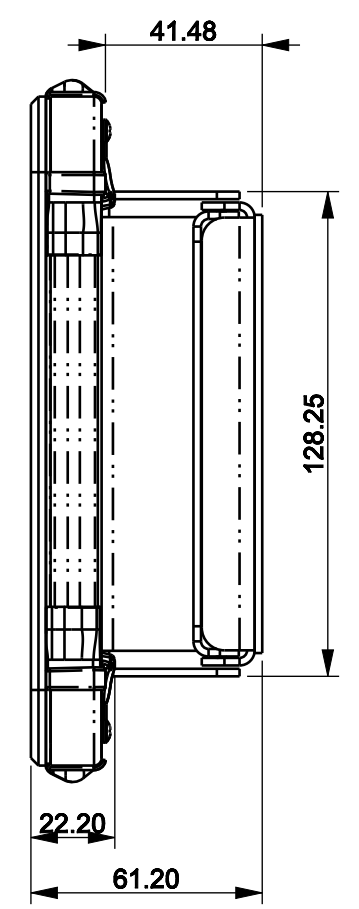
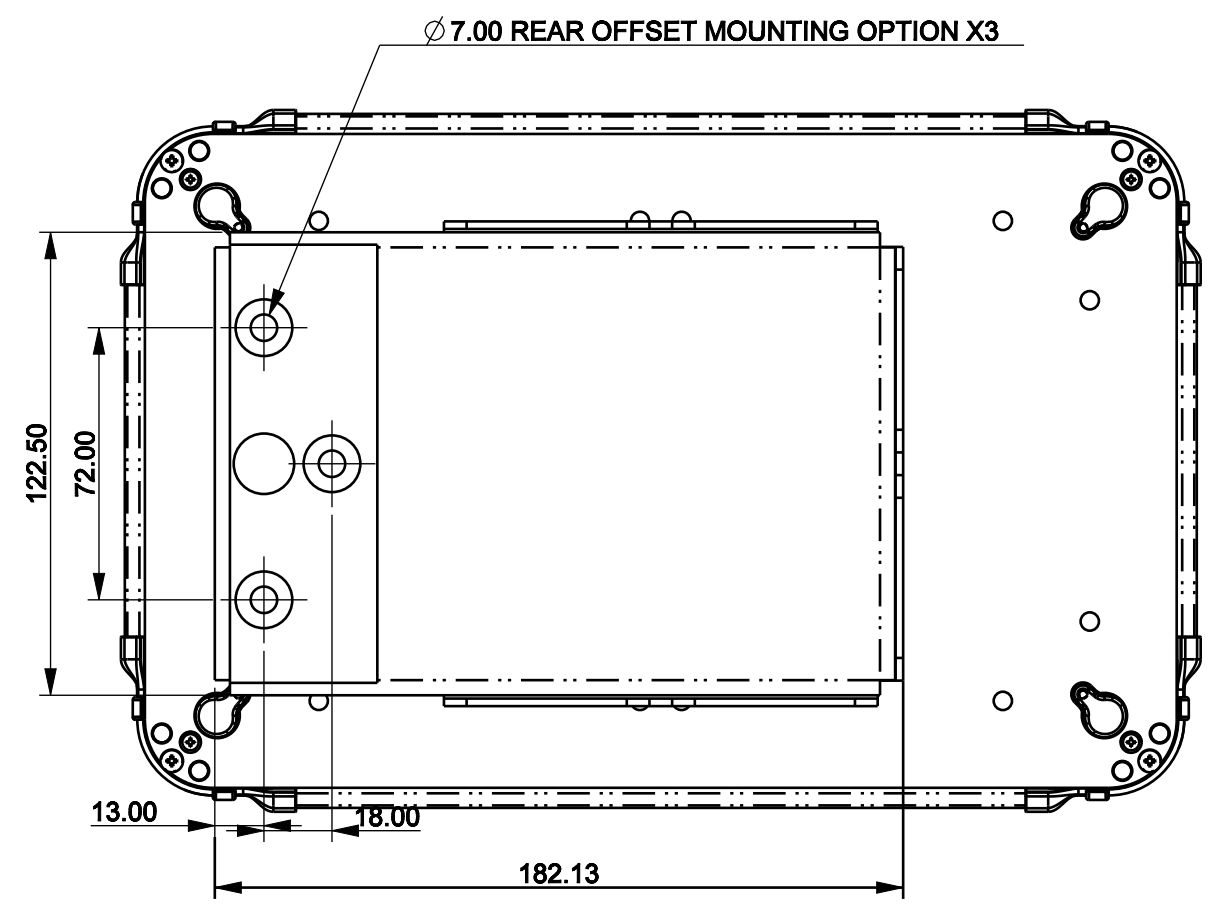
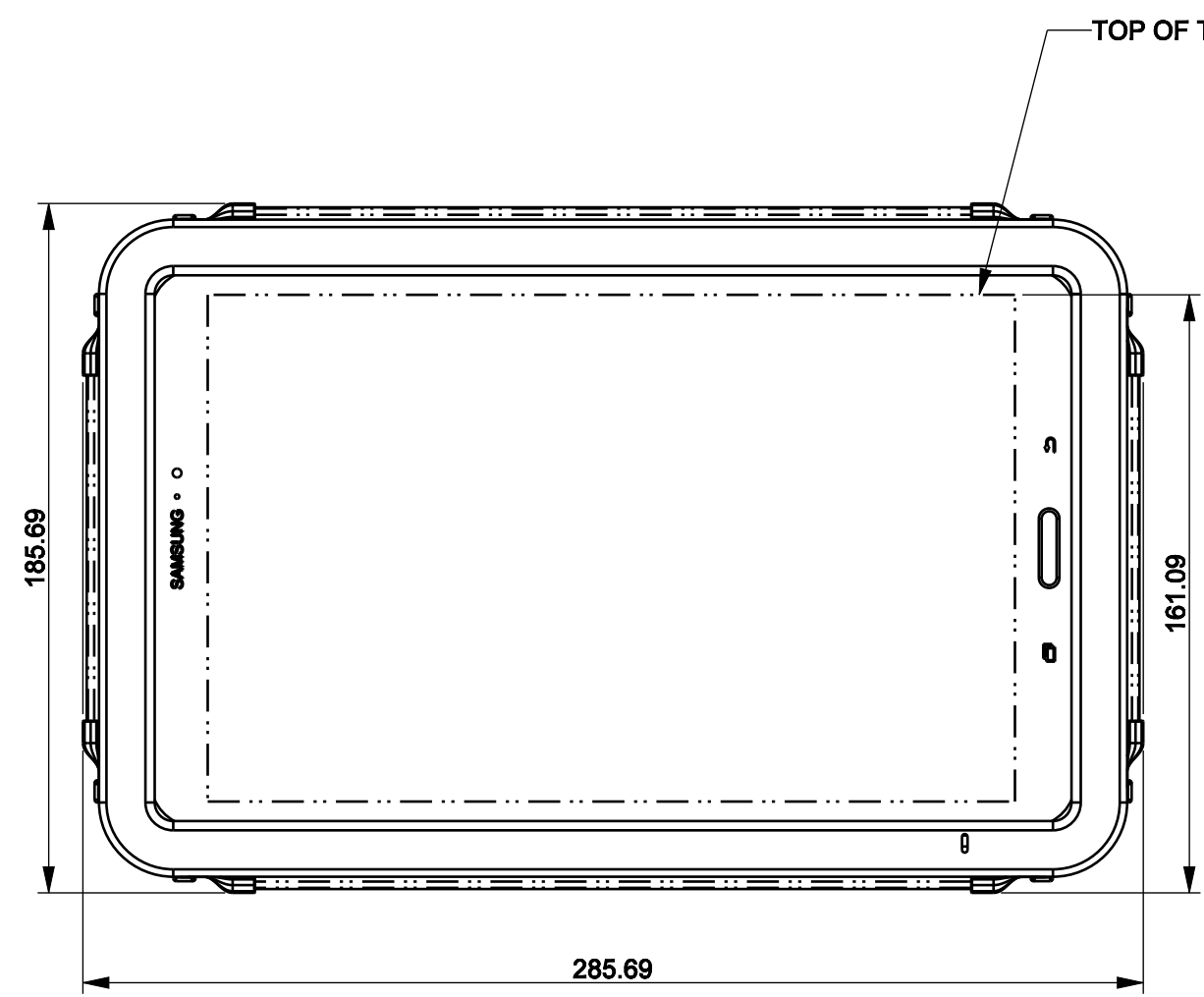


THIS DRAWING AND THE INFORMATION THEREIN ARE PROPERTY OF MAGTARGET AND SHALL NOT BE REPRODUCED, COPIED, RECORDED IN ANY MEDIA, USED FOR ANY OTHER PURPOSE OR DELIVERED AND/OR DISCLOSED TO ANY THIRD PARTY WITHOUT WRITTEN CONSENT OF MAGTARGET.

REVISIONS				
ZONE	REV	DESCRIPTION	DATE	APPROVED
			2020-06-02	



ITEM	DESCRIPTION	PART NUMBER	QTY
3	BRACKET, REAR-OFFSET,	273-0041	1
2		586-0000-000	1
1		273-0028	1

UNLESS OTHERWISE SPECIFIED  
DIMENSIONS ARE IN MM.  
TOLERANCES ARE:  
MILLIMETERS ANGLES  
X ± 1.0 MM ± 0.5  
.X ± 0.50 MM  
.XX ± 0.25 MM NOTE:  
.XXX ± 0.125MM INCHES=MM/25.4

- DO NOT SCALE DRAWING -

APPROVALS	DATE
DRAWN BY	
CHECKED	
ENGINEER	



**VISUALTARGET 10" SAMSUNG T580/590,  
4 LIGHTS, 0 DEGREE, REAR OFFSET MOUNT**

FINISH	MATERIAL	SIZE B	MODEL NUMBER	DWG NO. 586-1111-000-REAROFFSET	REV
REMOVE ALL BURRS & SHARP CORNERS	MASS 0.984	SCALE 0.500	SHEET SHEET 1 OF 1		