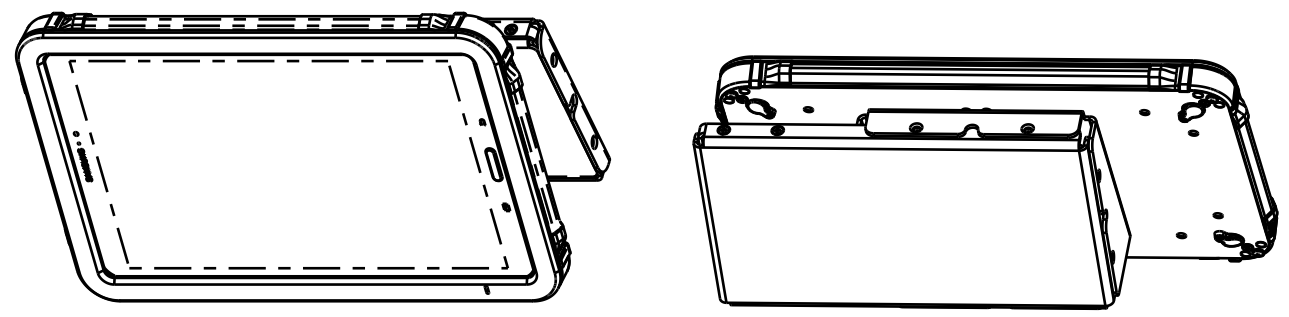
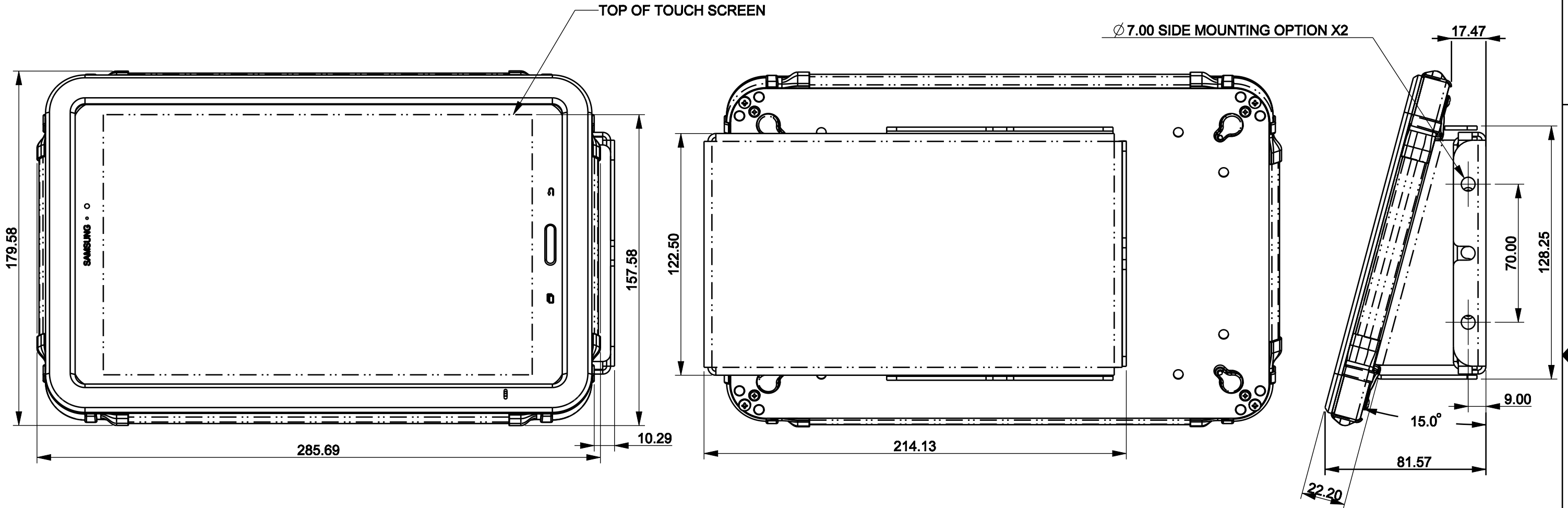


THIS DRAWING AND THE INFORMATION THEREIN ARE PROPERTY OF MAGTARGET AND SHALL NOT BE REPRODUCED, COPIED, RECORDED IN ANY MEDIA., USED FOR ANY OTHER PURPOSE OR DELIVERED AND/OR DISCLOSED TO ANY THIRD PARTY WITHOUT WRITTEN CONSENT OF MAGTARGET.

| REVISIONS | | | | |
|-----------|-----|-------------|------------|----------|
| ZONE | REV | DESCRIPTION | DATE | APPROVED |
| | | | 2020-06-02 | |



| ITEM | DESCRIPTION | PART NUMBER | QTY |
|------|--------------------------------|--------------|-----|
| 3 | BRACKET, SIDE MULLION, W COVER | 273-0042 | 1 |
| 2 | BRACKET, 15 DEGREE MOUNT, | 273-0022-000 | 1 |
| 1 | | 586-0000-000 | 1 |

| | | | | | |
|---|--|--------------------------|---------|---|--------------|
| UNLESS OTHERWISE SPECIFIED DIMENSIONS ARE IN MM. TOLERANCES ARE: MILLIMETERS ANGLES X± 1.0 MM ± 0.5 .X± 0.50 MM .XX± 0.25 MM .XXX± 0.125MM | | - DO NOT SCALE DRAWING - | | | |
| FINISH | | APPROVALS | DATE | | |
| REMOVE ALL BURRS & SHARP CORNERS | | DRAWN BY | CHECKED | VISUALTARGET 10" SAMSUNG T580/590, 4 LIGHTS, 15 DEGREE, SIDE MOUNT | |
| | | ENGINEER | | | |
| | | MATERIAL | | SIZE | MODEL NUMBER |
| | | | | B | |
| | | | | DWG NO. | REV |
| | | | | 586-1111-100-SIDEMOUNT | |
| | | MASS | SCALE | SHEET | |
| | | 0.992 | 0.500 | SHEET 1 OF 1 | |