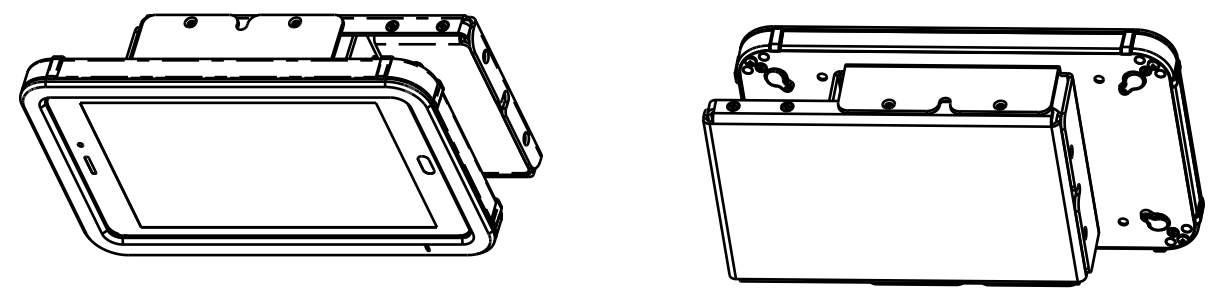
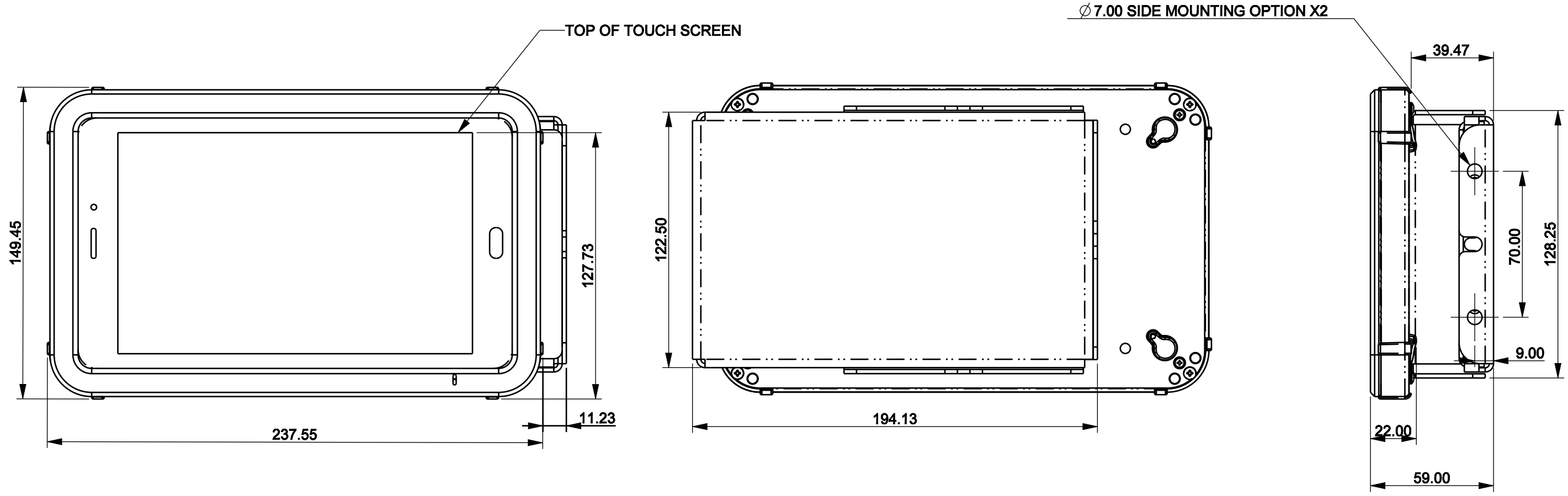


THIS DRAWING AND THE INFORMATION THEREIN ARE PROPERTY OF MAGTARGET AND SHALL NOT BE REPRODUCED, COPIED, RECORDED IN ANY MEDIA, USED FOR ANY OTHER PURPOSE OR DELIVERED AND/OR DISCLOSED TO ANY THIRD PARTY WITHOUT WRITTEN CONSENT OF MAGTARGET.

REVISIONS				
ZONE	REV	DESCRIPTION	DATE	APPROVED
			2020-06-02	



ITEM	DESCRIPTION	PART NUMBER	QTY
3	BRACKET, SIDE MULLION, W COVER	273-0040	1
2		587-SUB-ASSM	1
1		273-0028	1

UNLESS OTHERWISE SPECIFIED DIMENSIONS ARE IN MM. TOLERANCES ARE: MILLIMETERS ANGLES X± 1.0 MM ± 0.5 .X± 0.50 MM .XX± 0.25 MM NOTE: .XXX± 0.125MM INCHES=MM/25.4		- DO NOT SCALE DRAWING -			
APPROVALS		DATE			
DRAWN BY				<b>VISUALTARGET 8" SAMSUNG T380, 0 LIGHTS, 0 DEGREE, SIDE MOUNT</b>	
CHECKED					
ENGINEER				SIZE	MODEL NUMBER
MATERIAL				B	587-0000-000-SIDEMOUNT
REMOVE ALL BURRS & SHARP CORNERS		MASS	SCALE	DWG NO.	REV
		1.412	0.500	587-0000-000-SIDEMOUNT	
		SHEET		SHEET 1 OF 1	