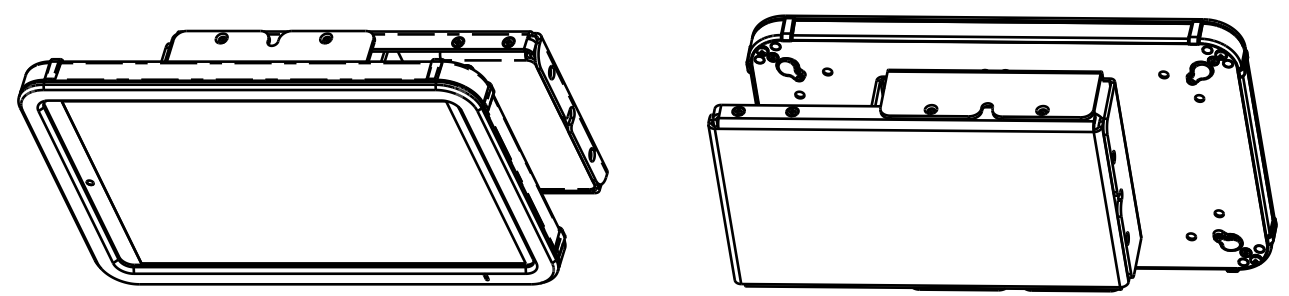
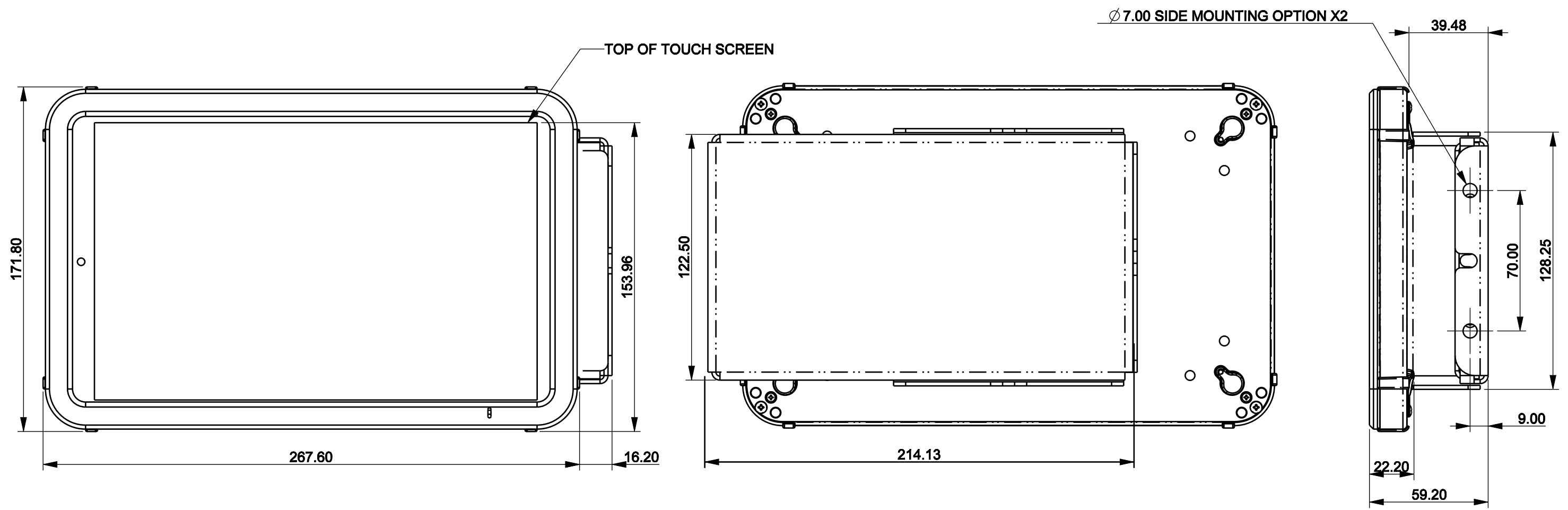


THIS DRAWING AND THE INFORMATION THEREIN ARE PROPERTY OF MAGTARGET AND SHALL NOT BE REPRODUCED, COPIED, RECORDED IN ANY MEDIA, USED FOR ANY OTHER PURPOSE OR DELIVERED AND/OR DISCLOSED TO ANY THIRD PARTY WITHOUT WRITTEN CONSENT OF MAGTARGET.

REVISIONS				
ZONE	REV	DESCRIPTION	DATE	APPROVED
			2020-06-02	



ITEM	DESCRIPTION	PART NUMBER	QTY
3	BRACKET, SIDE MULLION, W COVER	273-0042	1
2		588-0000-000	1
1		273-0028	1

UNLESS OTHERWISE SPECIFIED DIMENSIONS ARE IN MM. TOLERANCES ARE: MILLIMETERS ANGLES X± 1.0 MM ± 0.5 .X± 0.50 MM .XX± 0.25 MM .XXX± 0.125MM		- DO NOT SCALE DRAWING -			
FINISH		APPROVALS	DATE		
REMOVE ALL BURRS & SHARP CORNERS		DRAWN BY	CHECKED	<b>VISUALTARGET 10" SAMSUNG T510, 0 LIGHTS, 0 DEGREE, SIDE MOUNT</b>	
		ENGINEER			
		MATERIAL	SIZE	MODEL NUMBER	DWG NO.
			B		588-0000-000-SIDEMOUNT
			MASS	SCALE	SHEET
			1.400	0.500	SHEET 1 OF 1