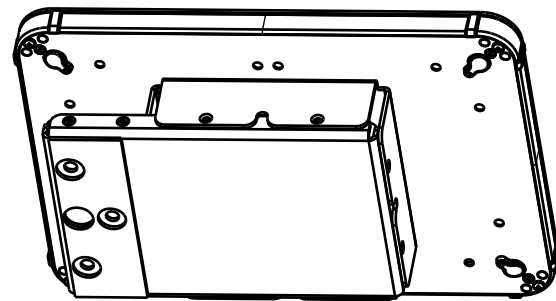
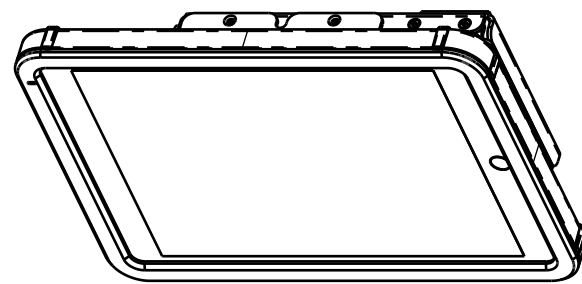
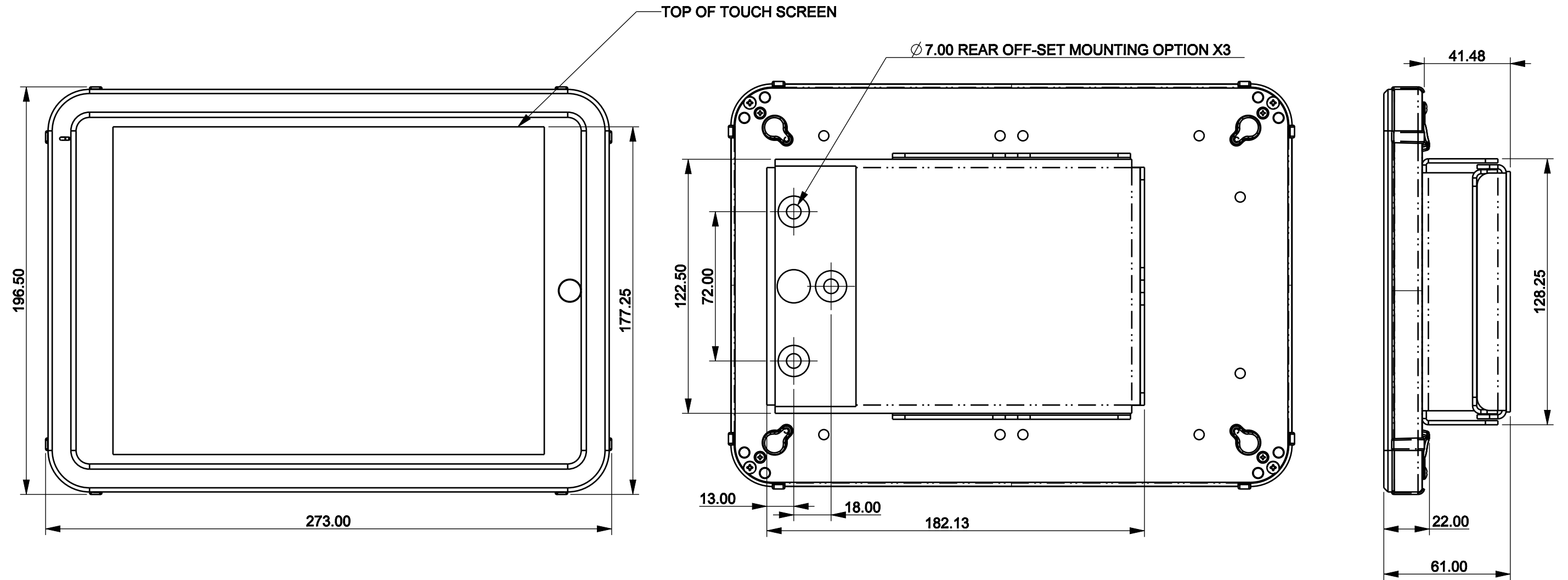


THIS DRAWING AND THE INFORMATION THEREIN ARE PROPERTY OF MAGTARGET AND SHALL NOT BE REPRODUCED, COPIED, RECORDED IN ANY MEDIA, USED FOR ANY OTHER PURPOSE OR DELIVERED AND/OR DISCLOSED TO ANY THIRD PARTY WITHOUT WRITTEN CONSENT OF MAGTARGET.

REVISIONS				
ZONE	REV	DESCRIPTION	DATE	APPROVED
			2020-06-02	



ITEM	DESCRIPTION	PART NUMBER	QTY
3	MOUNT, REAR-OFFSET,	273-0041	1
2	BRACKET, 0 DEGREE	273-0028	1
1		589-SUB-ASSM	1

UNLESS OTHERWISE SPECIFIED
DIMENSIONS ARE IN MM.
TOLERANCES ARE:
MILLIMETERS ANGLES
X ± 1.0 MM ± 0.5
.XX ± 0.50 MM
.XX ± 0.25 MM NOTE:
.XXX ± 0.125MM INCHES=MM/25.4

FINISH

REMOVE ALL BURRS & SHARP CORNERS

- DO NOT SCALE DRAWING -

APPROVALS	DATE
DRAWN BY	
CHECKED	
ENGINEER	
MATERIAL	



VISUALTARGET 10.2" IPAD, 0 LIGHTS 0 DEGREE, REAR OFF-SET MOUNT

SIZE B	MODEL NUMBER	DWG NO. 589-0000-000-REAROFFSETMOUNT	REV
MASS 1.371	SCALE 0.500	SHEET SHEET 1 OF 1	