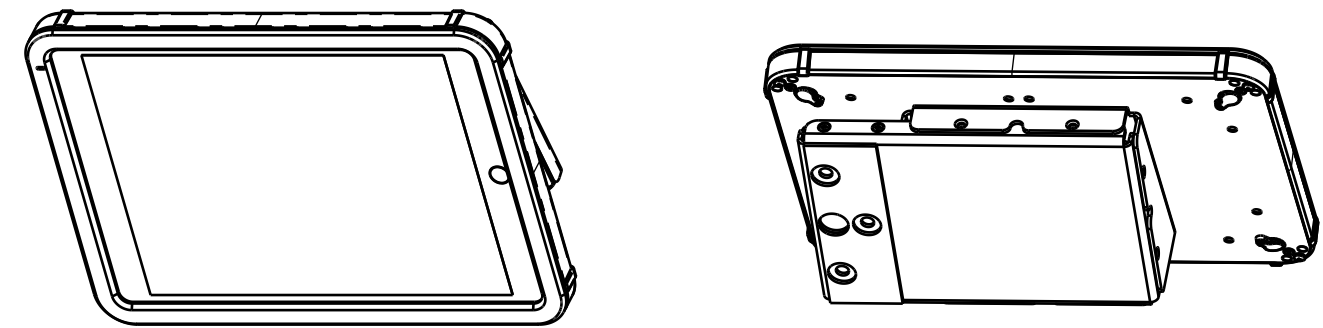
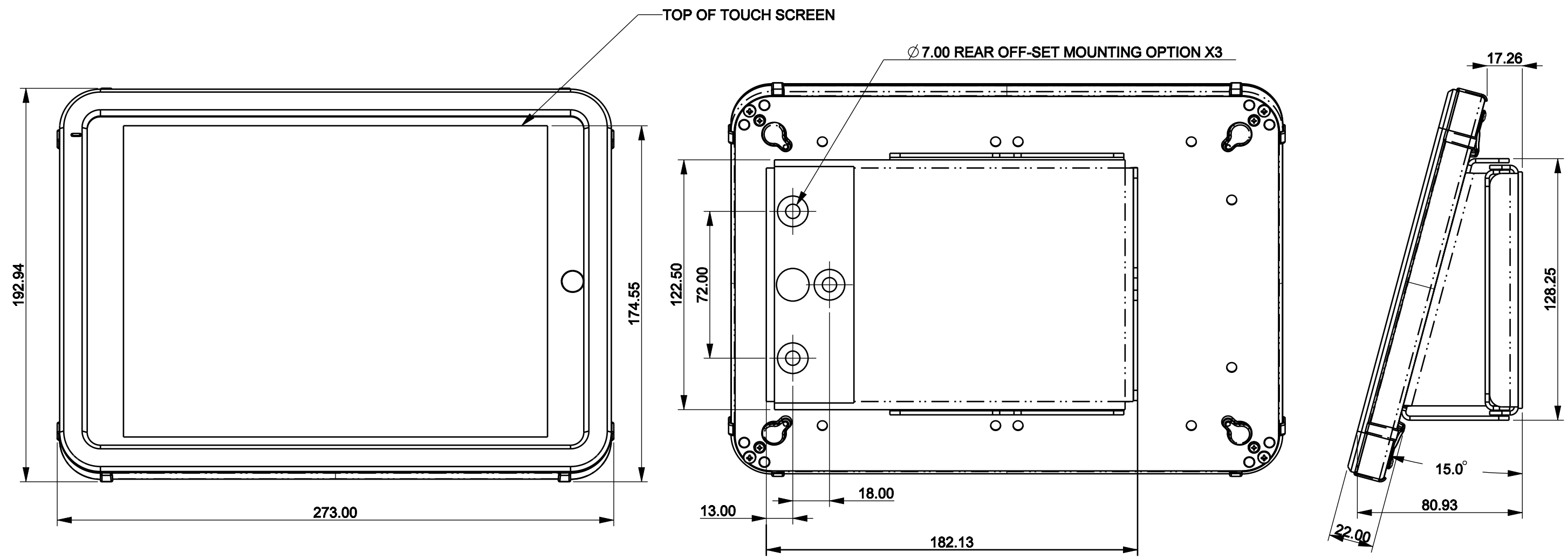


THIS DRAWING AND THE INFORMATION THEREIN ARE PROPERTY OF MAGTARGET AND SHALL NOT BE REPRODUCED, COPIED, RECORDED IN ANY MEDIA, USED FOR ANY OTHER PURPOSE OR DELIVERED AND/OR DISCLOSED TO ANY THIRD PARTY WITHOUT WRITTEN CONSENT OF MAGTARGET.

REVISIONS				
ZONE	REV	DESCRIPTION	DATE	APPROVED
			2020-06-02	



ITEM	DESCRIPTION	PART NUMBER	QTY
3	MOUNT, REAR-OFFSET,	273-0041	1
2	BRACKET, 15 DEGREES MOUNT,	273-0022-000	1
1		589-SUB-ASSM	1

UNLESS OTHERWISE SPECIFIED DIMENSIONS ARE IN MM. TOLERANCES ARE: MILLIMETERS ANGLES X± 1.0 MM ± 0.5 .X± 0.50 MM .XX± 0.25 MM .XXX± 0.125MM		- DO NOT SCALE DRAWING -			
FINISH		APPROVALS	DATE		
REMOVE ALL BURRS & SHARP CORNERS		DRAWN BY	CHECKED	VISUALTARGET 10.2" IPAD,0 LIGHTS 15 DEGREE, REAR OFF-SET MOUNT	
		ENGINEER			
		MATERIAL		SIZE	MODEL NUMBER
				B	
				DWG NO.	REV
				589-0000-100-REAROFFSETMOUNT	
		MASS	SCALE	SHEET	
		1.371	0.500	SHEET 1 OF 1	