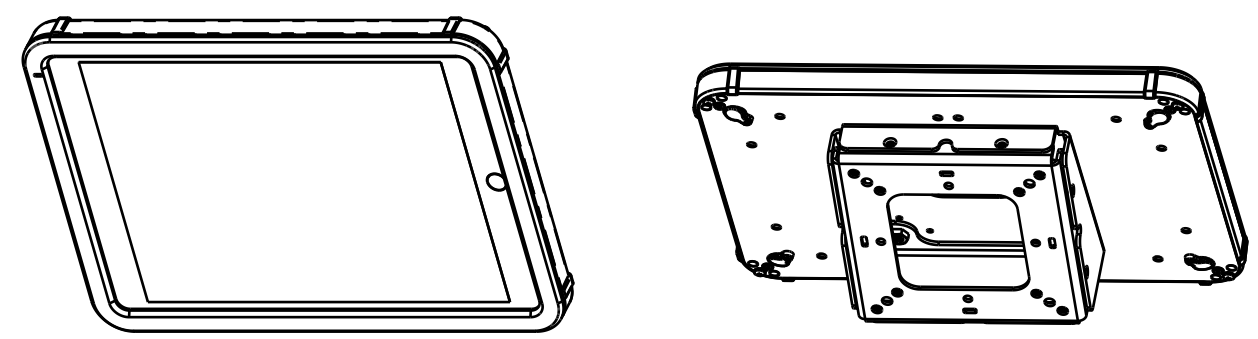
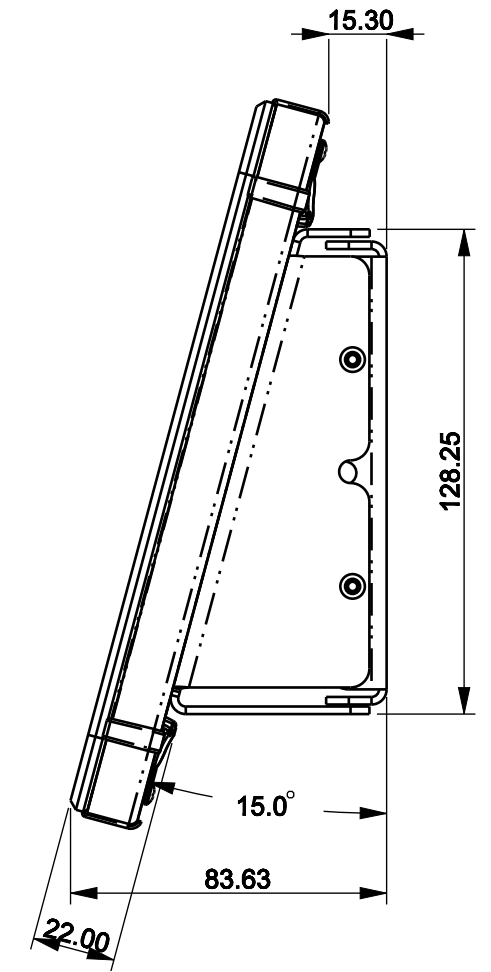
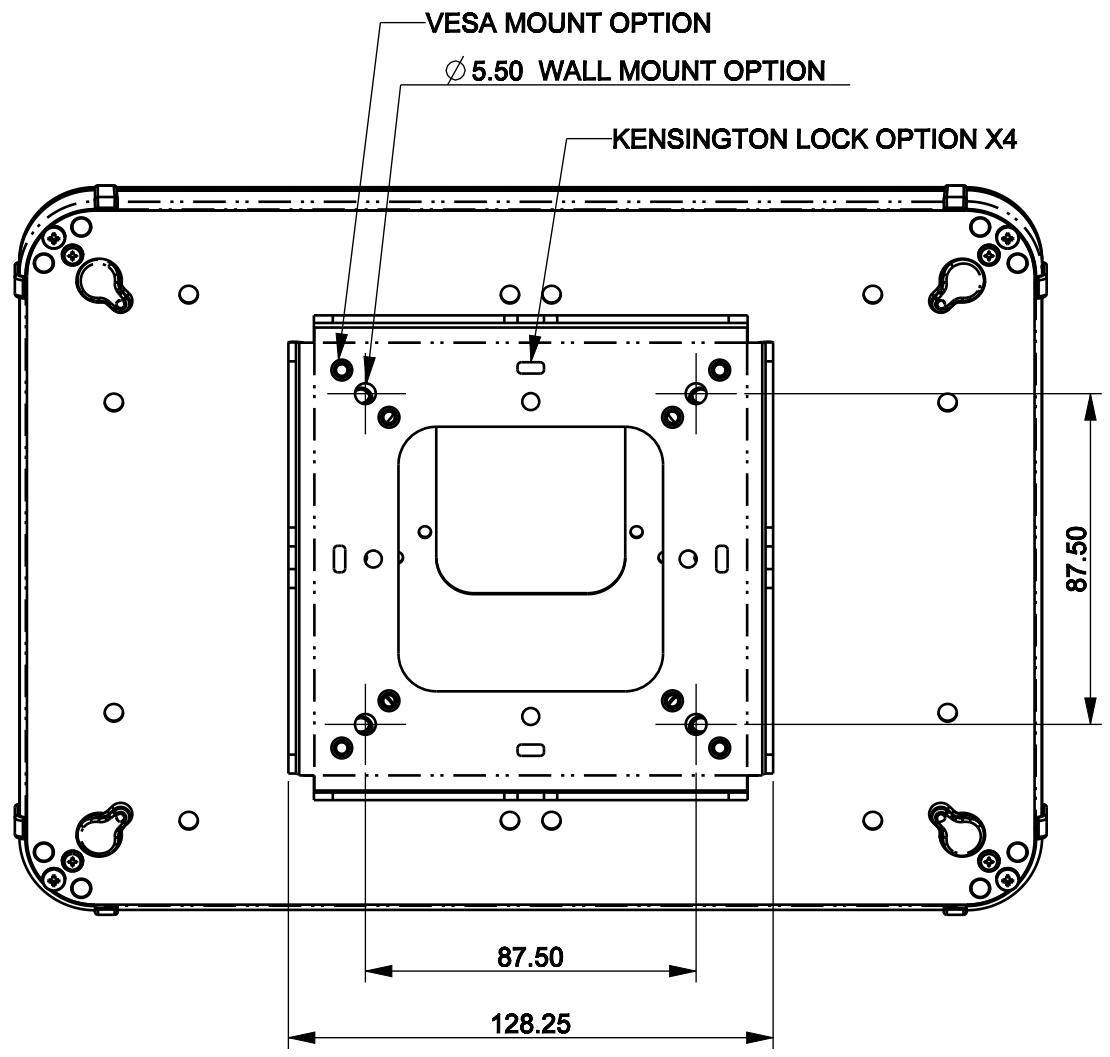
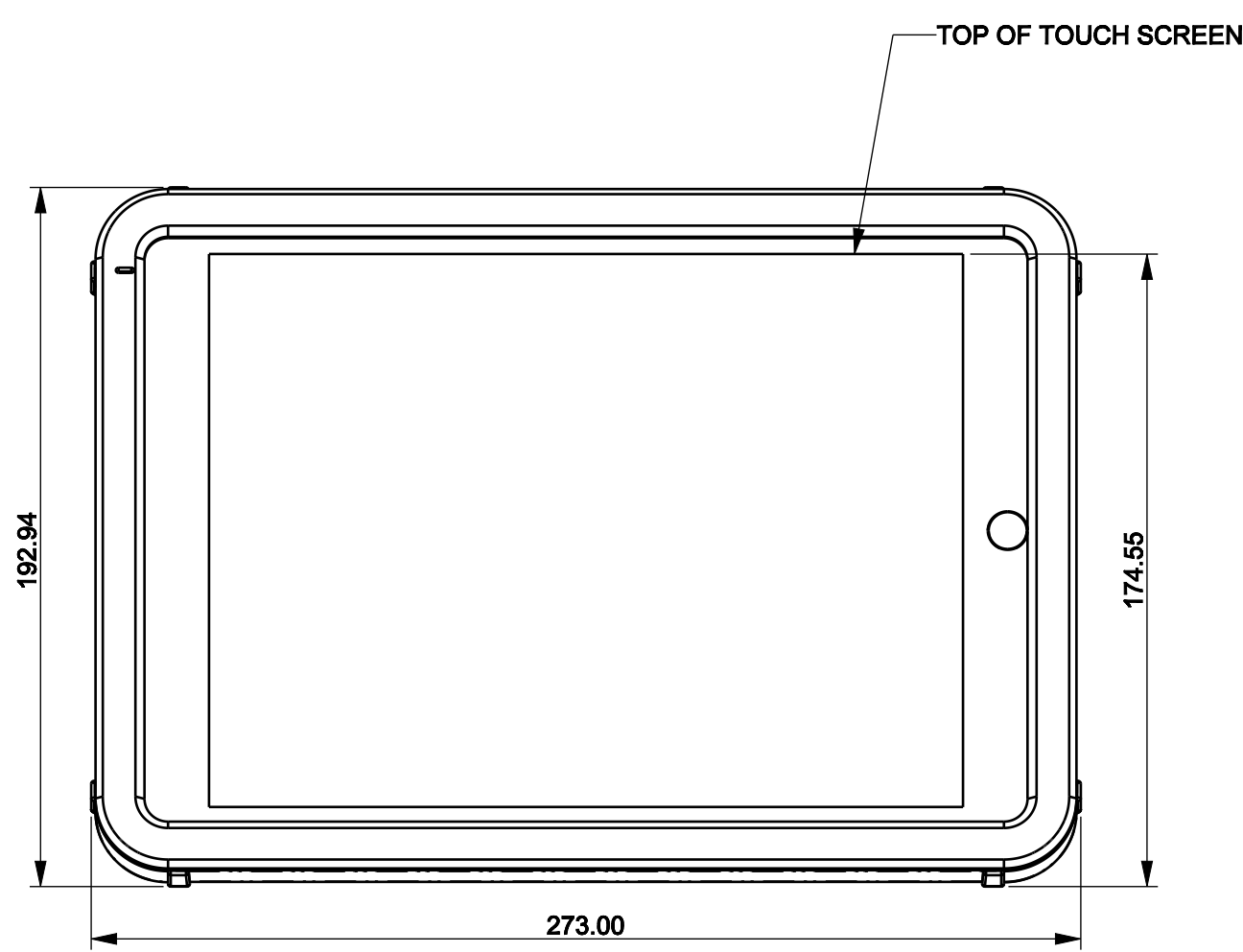


THIS DRAWING AND THE INFORMATION THEREIN ARE PROPERTY OF MAGTARGET AND SHALL NOT BE REPRODUCED, COPIED, RECORDED IN ANY MEDIA, USED FOR ANY OTHER PURPOSE OR DELIVERED AND/OR DISCLOSED TO ANY THIRD PARTY WITHOUT WRITTEN CONSENT OF MAGTARGET.

REVISIONS				
ZONE	REV	DESCRIPTION	DATE	APPROVED
			2020-06-02	



ITEM	DESCRIPTION	PART NUMBER	QTY
3	BRACKET, SURFACE-MOUNT,	273-0048	1
2	BRACKET, 15 DEGREE MOUNT,	273-0022-000	1
1		589-SUB-ASSM	1

UNLESS OTHERWISE SPECIFIED DIMENSIONS ARE IN MM. TOLERANCES ARE:

MILLIMETERS	ANGLES
X ± 1.0 MM	± 0.5°
.X ± 0.50 MM	
.XX ± 0.25 MM	NOTE:
.XXX ± 0.125MM	INCHES=MM/25.4

FINISH

REMOVE ALL BURRS & SHARP CORNERS ✓

- DO NOT SCALE DRAWING -

APPROVALS	DATE
DRAWN BY	
CHECKED	
ENGINEER	
MATERIAL	

MagTarget

**VISUALTARGET 10.2" IPAD, 0 LIGHTS
15 DEGREE, SURFACE MOUNT**

SIZE B	MODEL NUMBER	DWG NO. 589-0000-100-SURFACEMOUNT	REV
MASS 1.408	SCALE 0.500	SHEET SHEET 1 OF 1	