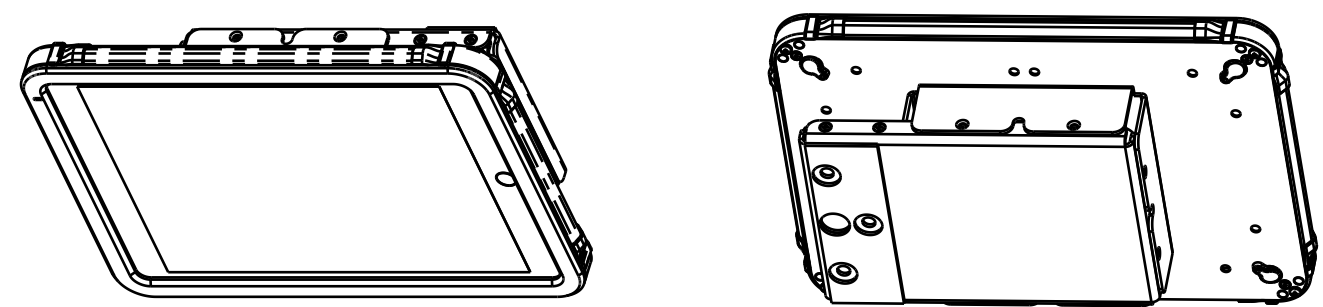
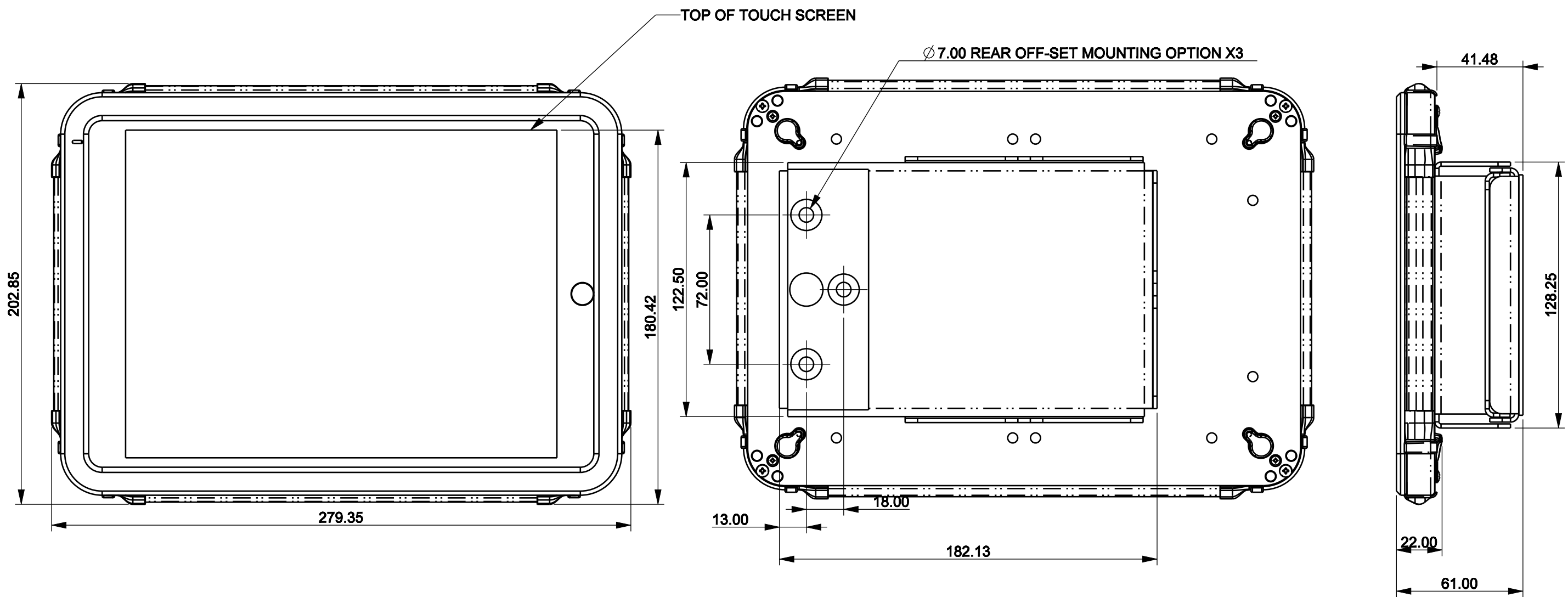


THIS DRAWING AND THE INFORMATION THEREIN ARE PROPERTY OF MAGTARGET AND SHALL NOT BE REPRODUCED, COPIED, RECORDED IN ANY MEDIA, USED FOR ANY OTHER PURPOSE OR DELIVERED AND/OR DISCLOSED TO ANY THIRD PARTY WITHOUT WRITTEN CONSENT OF MAGTARGET.

REVISIONS				
ZONE	REV	DESCRIPTION	DATE	APPROVED
			2020-06-02	



ITEM	DESCRIPTION	PART NUMBER	QTY
3	MOUNT, REAR-OFFSET,	273-0041	1
2	BRACKET, 0 DEGREE	273-0028	1
1		589-SUB-ASSM	1

UNLESS OTHERWISE SPECIFIED DIMENSIONS ARE IN MM. TOLERANCES ARE:

MILLIMETERS	ANGLES
X ± 1.0 MM	± 0.5
.X ± 0.50 MM	
.XX ± 0.25 MM	NOTE:
.XXX ± 0.125MM	INCHES=MM/25.4

FINISH

REMOVE ALL BURRS & SHARP CORNERS

**MagTarget**

**VISUALTARGET 10.2" IPAD, 4 LIGHTS 0 DEGREE, REAR OFF-SET MOUNT**

APPROVALS	DATE
DRAWN BY	
CHECKED	
ENGINEER	
MATERIAL	

SIZE	MODEL NUMBER	DWG NO.	REV
B		589-1111-000-REAROFFSETMOUNT	
MASS	SCALE	SHEET	
1.356	0.500	SHEET 1 OF 1	