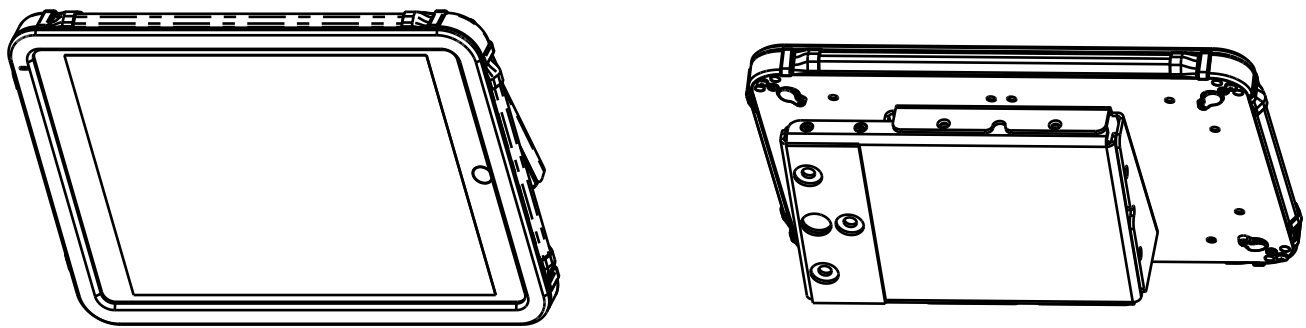
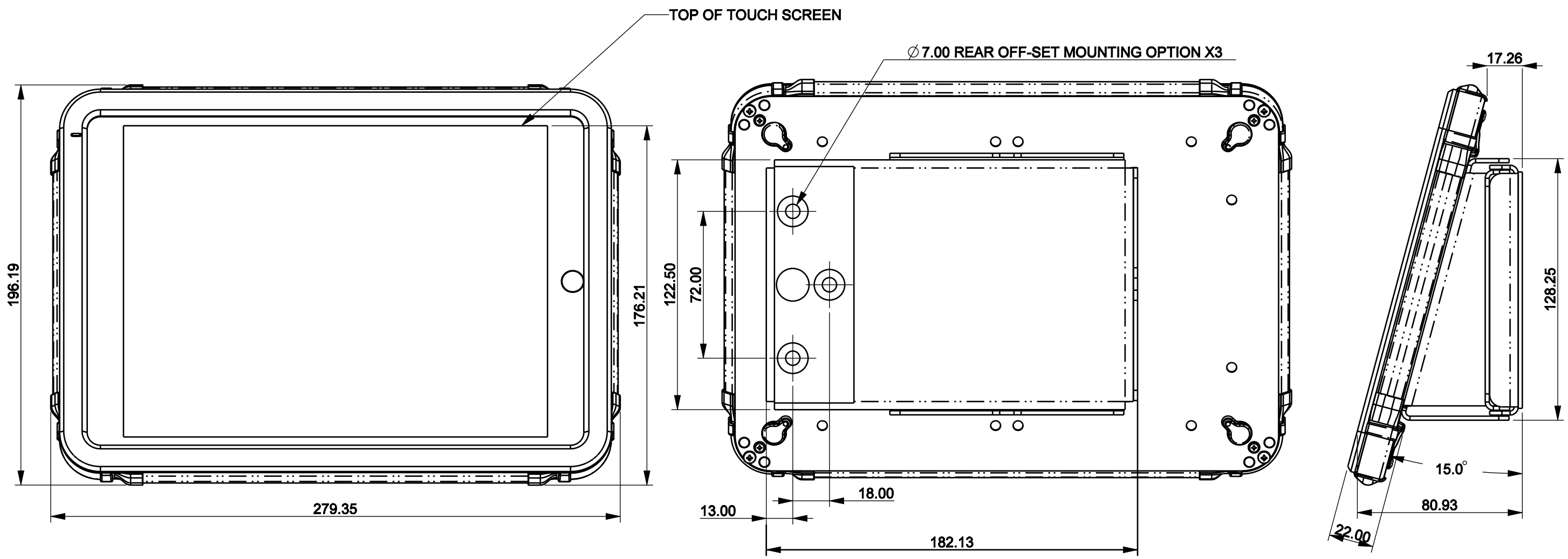


THIS DRAWING AND THE INFORMATION THEREIN ARE PROPERTY OF MAGTARGET AND SHALL NOT BE REPRODUCED, COPIED, RECORDED IN ANY MEDIA, USED FOR ANY OTHER PURPOSE OR DELIVERED AND/OR DISCLOSED TO ANY THIRD PARTY WITHOUT WRITTEN CONSENT OF MAGTARGET.

REVISIONS				
ZONE	REV	DESCRIPTION	DATE	APPROVED
			2020-06-02	



ITEM	DESCRIPTION	PART NUMBER	QTY
3	MOUNT, REAR-OFFSET,	273-0041	1
2	BRACKET, 15 DEGREES MOUNT,	273-0022-000	1
1		589-SUB-ASSM	1

UNLESS OTHERWISE SPECIFIED DIMENSIONS ARE IN MM. TOLERANCES ARE: MILLIMETERS ANGLES X± 1.0 MM ± 0.5 .X± 0.50 MM .XX± 0.25 MM .XXX± 0.125MM INCHES=MM/25.4		- DO NOT SCALE DRAWING -			
FINISH		APPROVALS	DATE		
REMOVE ALL BURRS & SHARP CORNERS		DRAWN BY	CHECKED	<b>VISUALTARGET 10.2" IPAD,4 LIGHTS 15 DEGREE, REAR OFF-SET MOUNT</b>	
		ENGINEER		SIZE B	MODEL NUMBER
		MATERIAL		DWG NO.	589-1111-100-REAROFFSETMOUNT
				REV	
		MASS 1.356	SCALE 0.500	SHEET SHEET 1 OF 1	