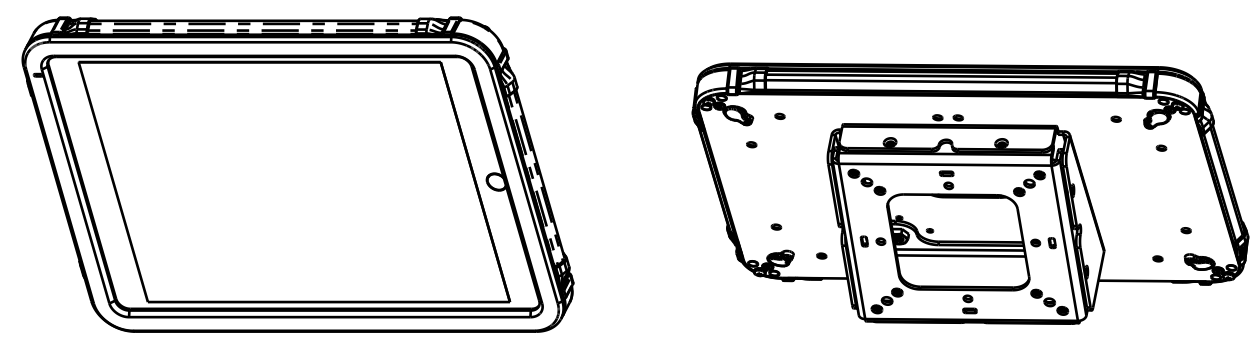
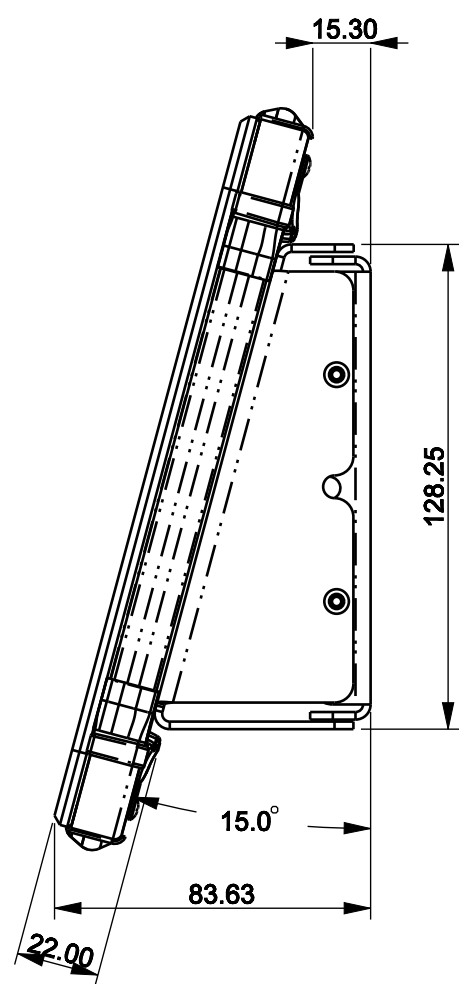
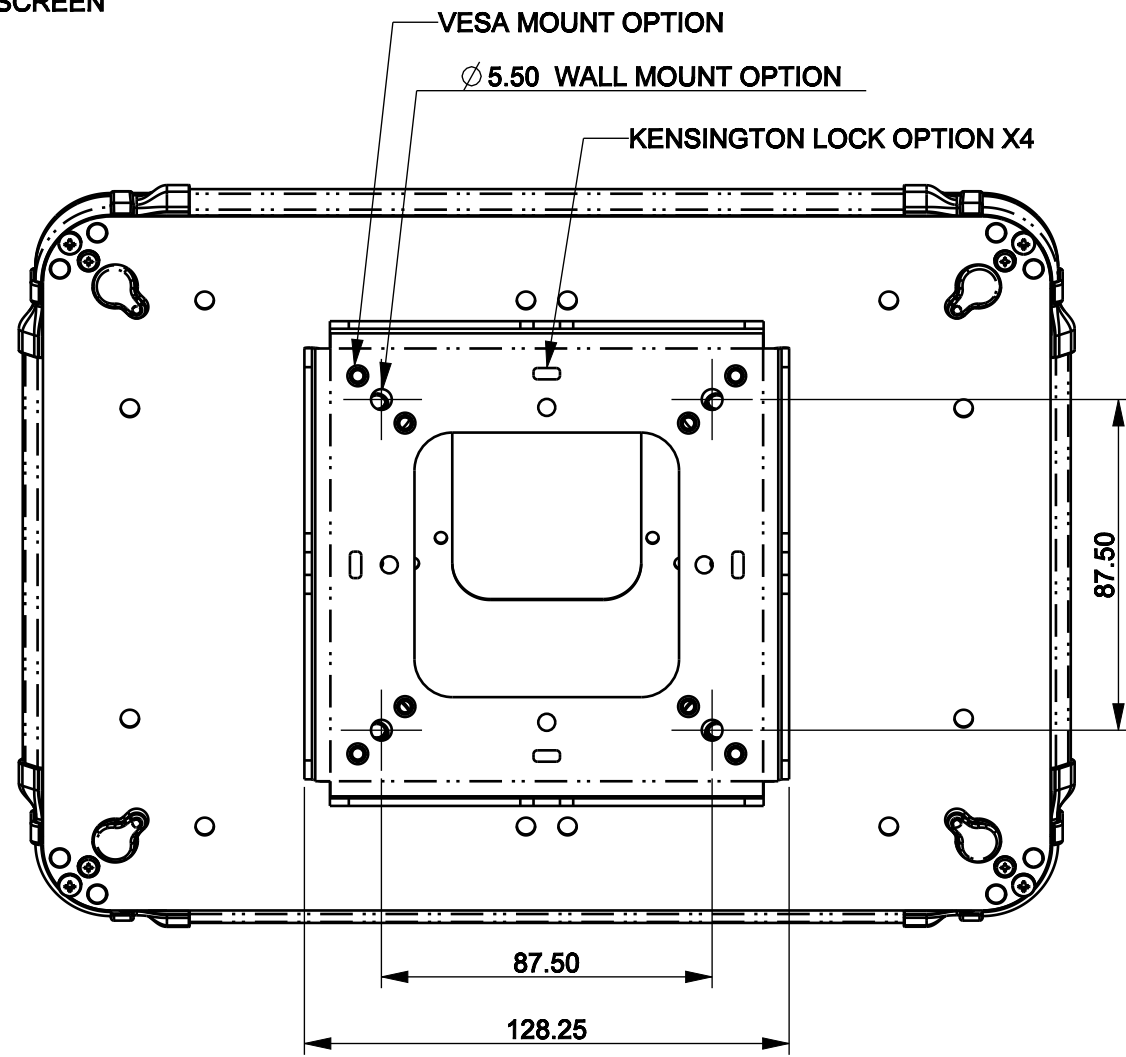
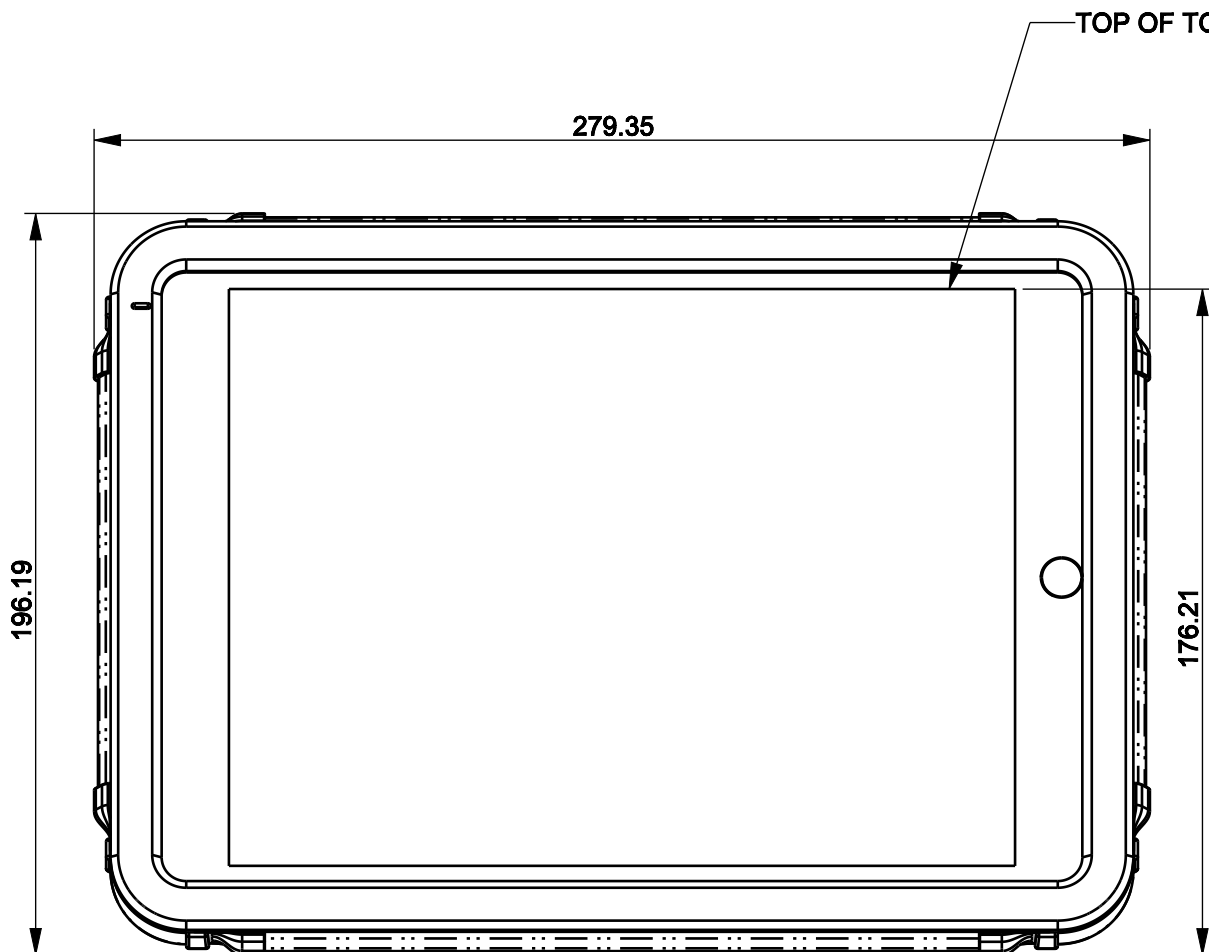


THIS DRAWING AND THE INFORMATION THEREIN ARE PROPERTY OF MAGTARGET AND SHALL NOT BE REPRODUCED, COPIED, RECORDED IN ANY MEDIA, USED FOR ANY OTHER PURPOSE OR DELIVERED AND/OR DISCLOSED TO ANY THIRD PARTY WITHOUT WRITTEN CONSENT OF MAGTARGET.

REVISIONS				
ZONE	REV	DESCRIPTION	DATE	APPROVED
			2020-06-02	



3	BRACKET, SURFACE-MOUNT,	273-0048	1
2	BRACKET, 15 DEGREE MOUNT,	273-0022-000	1
1		589-SUB-ASSM	1
ITEM	DESCRIPTION	PART NUMBER	QTY

UNLESS OTHERWISE SPECIFIED DIMENSIONS ARE IN MM. TOLERANCES ARE: MILLIMETERS ANGLES X ± 1.0 MM ± 0.5 .X ± 0.50 MM .XX ± 0.25 MM .XXX ± 0.125MM		- DO NOT SCALE DRAWING -	
FINISH		APPROVALS	DATE
REMOVE ALL BURRS & SHARP CORNERS		DRAWN BY	CHECKED
		ENGINEER	
		MATERIAL	

MagTarget

VISUALTARGET 10.2" IPAD, 4 LIGHTS 15 DEGREE, SURFACE MOUNT

SIZE B	MODEL NUMBER	DWG NO. 589-1111-100-SURFACEMOUNT	REV
MASS 1.392	SCALE 0.500	SHEET SHEET 1 OF 1	