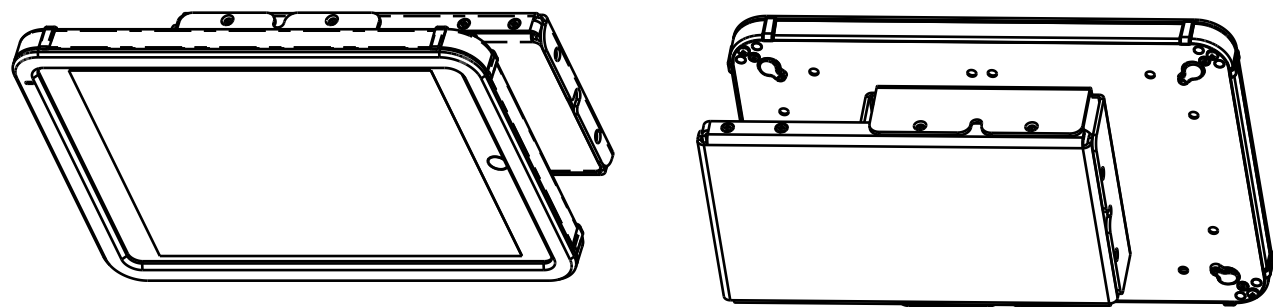
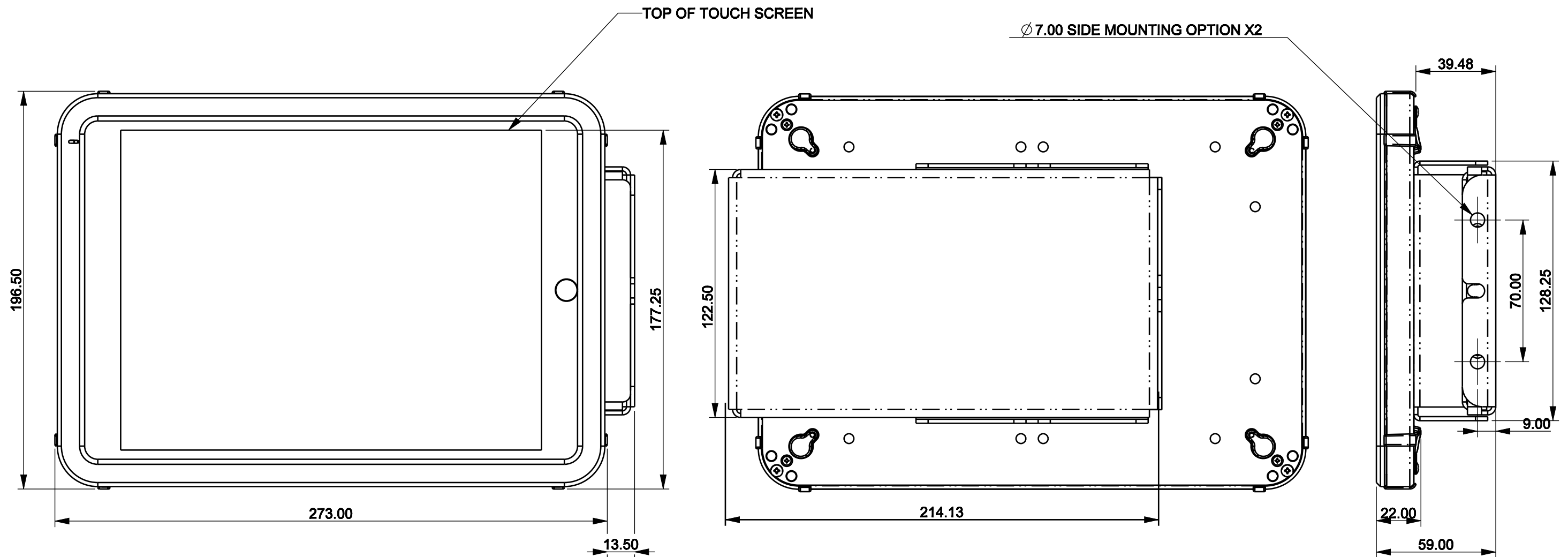


THIS DRAWING AND THE INFORMATION THEREIN ARE PROPERTY OF MAGTARGET AND SHALL NOT BE REPRODUCED, COPIED, RECORDED IN ANY MEDIA, USED FOR ANY OTHER PURPOSE OR DELIVERED AND/OR DISCLOSED TO ANY THIRD PARTY WITHOUT WRITTEN CONSENT OF MAGTARGET.

REVISIONS				
ZONE	REV	DESCRIPTION	DATE	APPROVED
			2020-06-02	



ITEM	DESCRIPTION	PART NUMBER	QTY
3	BRACKET, SIDE MULLION, W COVER	273-0042	1
2		589-SUB-ASSM	1
1		273-0028	1

UNLESS OTHERWISE SPECIFIED DIMENSIONS ARE IN MM. TOLERANCES ARE: MILLIMETERS ANGLES X ± 1.0 MM ± 0.5 .X ± 0.50 MM .XX ± 0.25 MM .XXX ± 0.125MM		- DO NOT SCALE DRAWING -			
FINISH		APPROVALS	DATE		
REMOVE ALL BURRS & SHARP CORNERS		DRAWN BY	CHECKED	VISUALTARGET 10.2" IPAD, 0 LIGHTS 0 DEGREE, SIDE MOUNT	
		ENGINEER			
		MATERIAL		SIZE B	MODEL NUMBER
				DWG NO. 589-0000-000-SIDEMOUNT	REV
		MASS 1.379	SCALE 0.500	SHEET SHEET 1 OF 1	