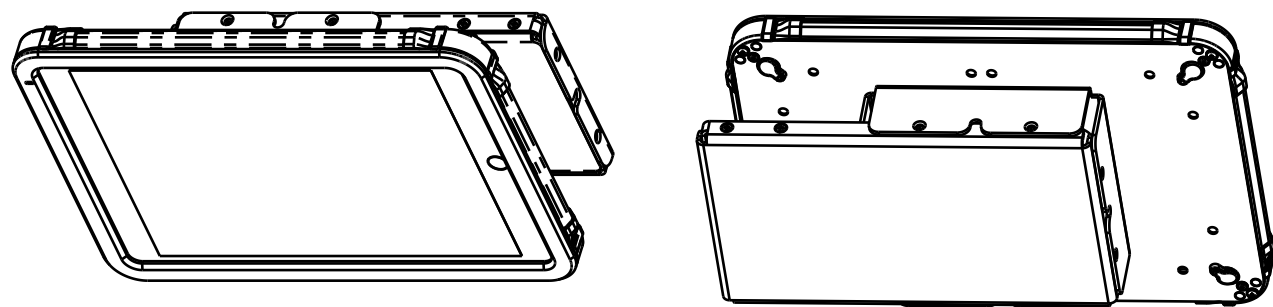
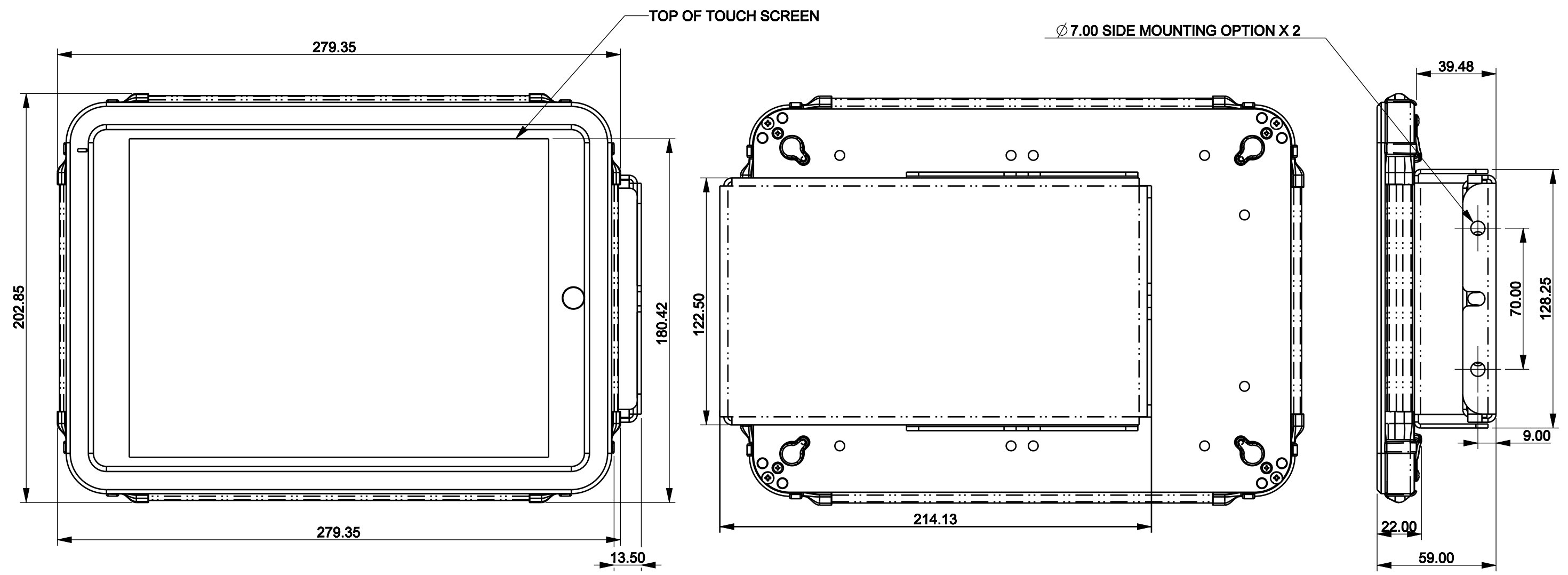


THIS DRAWING AND THE INFORMATION THEREIN ARE PROPERTY OF MAGTARGET AND SHALL NOT BE REPRODUCED, COPIED, RECORDED IN ANY MEDIA, USED FOR ANY OTHER PURPOSE OR DELIVERED AND/OR DISCLOSED TO ANY THIRD PARTY WITHOUT WRITTEN CONSENT OF MAGTARGET.

REVISIONS				
ZONE	REV	DESCRIPTION	DATE	APPROVED
			2020-06-02	



ITEM	DESCRIPTION	PART NUMBER	QTY
3	BRACKET, SIDE MULLION, W COVER	273-0042	1
2		589-SUB-ASSM	1
1		273-0028	1

UNLESS OTHERWISE SPECIFIED DIMENSIONS ARE IN MM. TOLERANCES ARE:		- DO NOT SCALE DRAWING -	
MILLIMETERS	ANGLES	APPROVALS	DATE
X ± 1.0 MM	± 0.5	DRAWN BY	
.X ± 0.50 MM		CHECKED	
.XX ± 0.25 MM	NOTE:	ENGINEER	
.XXX ± 0.125MM	INCHES=MM/25.4	MATERIAL	
FINISH		REMOVE ALL BURRS & SHARP CORNERS	

MagTarget

**VISUALTARGET 10.2" IPAD, 4 LIGHTS
0 DEGREE, SIDE MOUNT**

SIZE B	MODEL NUMBER	DWG NO. 589-1111-000-SIDEMOUNT	REV
MASS 1.363	SCALE 0.500	SHEET SHEET 1 OF 1	