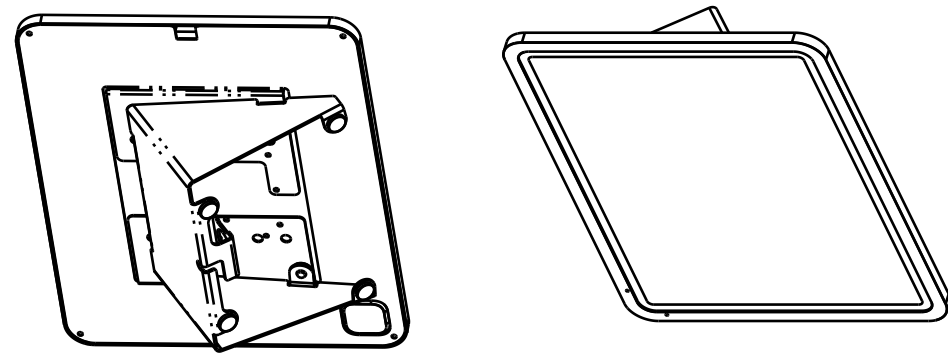
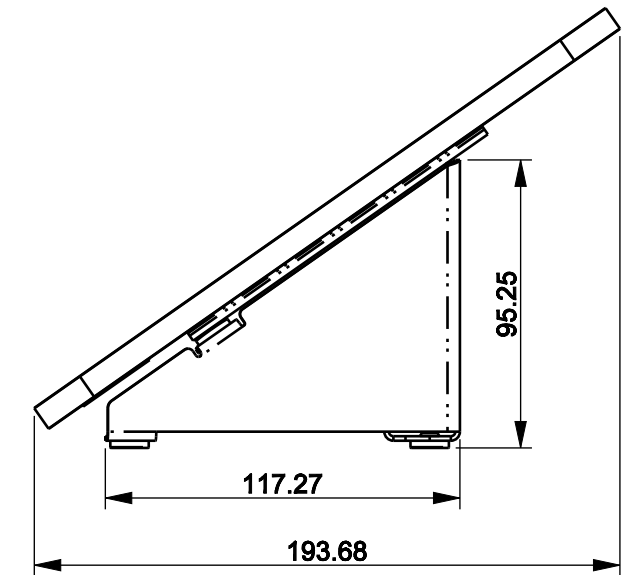
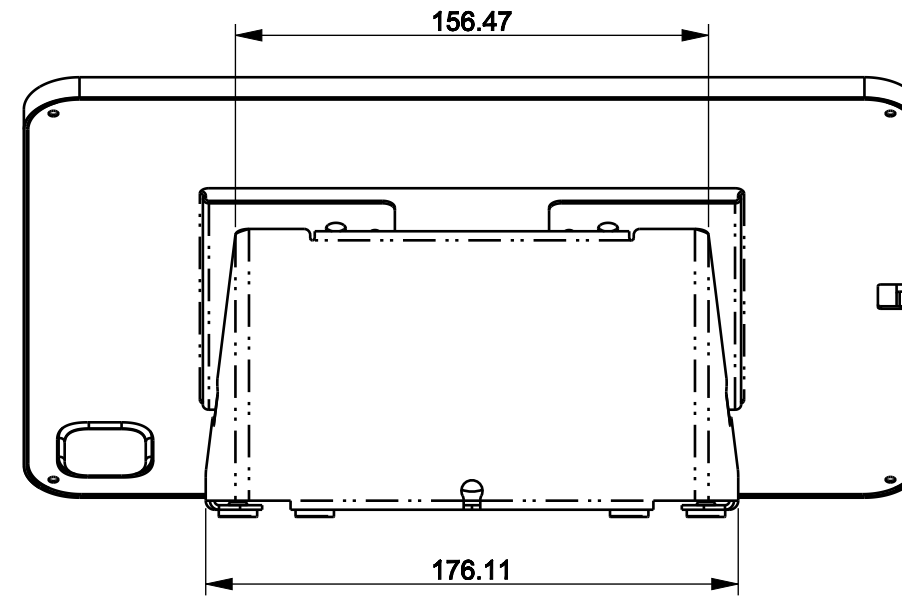
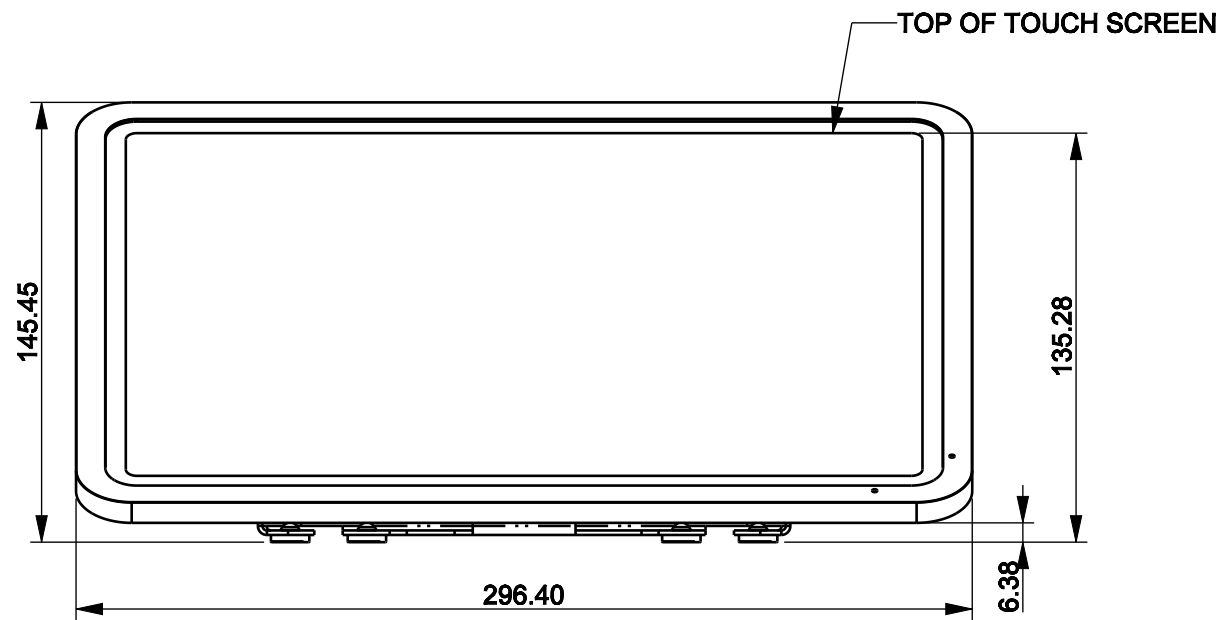


THIS DRAWING AND THE INFORMATION THEREIN ARE PROPERTY OF MAGTARGET AND SHALL NOT BE REPRODUCED, COPIED, RECORDED IN ANY MEDIA, USED FOR ANY OTHER PURPOSE OR DELIVERED AND/OR DISCLOSED TO ANY THIRD PARTY WITHOUT WRITTEN CONSENT OF MAGTARGET.

| REVISIONS |     |             |            |          |
|-----------|-----|-------------|------------|----------|
| ZONE      | REV | DESCRIPTION | DATE       | APPROVED |
|           |     |             | 2020-06-02 |          |



| 2    | BRACKET, 35 DEGREES MOUNT, | 273-0044          | 1   |
|------|----------------------------|-------------------|-----|
| 1    |                            | 576-0700-SUB_ASSM | 1   |
| ITEM | DESCRIPTION                | PART NUMBER       | QTY |

|   |  |                          |            |   |                              |
|---|--|--------------------------|------------|---|------------------------------|
| UNLESS OTHERWISE SPECIFIED DIMENSIONS ARE IN MM. TOLERANCES ARE:<br>MILLIMETERS ANGLES<br>X± 1.0 MM ± 0.5<br>.X± 0.50 MM<br>.XX± 0.25 MM<br>.XXX± 0.125MM |  | - DO NOT SCALE DRAWING - |            |   |                              |
| FINISH  |  | APPROVALS                | DATE       |   |                              |
| REMOVE ALL BURRS & SHARP CORNERS  |  | DRAWN BY                 | CHECKED    | <b>VISUALTARGET 12.9 iPad Pro 4th Gen, SLIM, 35 DEGREE, DESKTOP MOUNT</b> |                              |
|   |  | ENGINEER                 |            |   |                              |
|   |  | MATERIAL                 | SIZE B     | MODEL NUMBER  | DWG NO. 576-0700-300-DESKTOP |
|   |  |                          | MASS 1.417 | SCALE 0.400   | REV                          |
|   |  |                          |            | SHEET   | SHEET 1 OF 1                 |