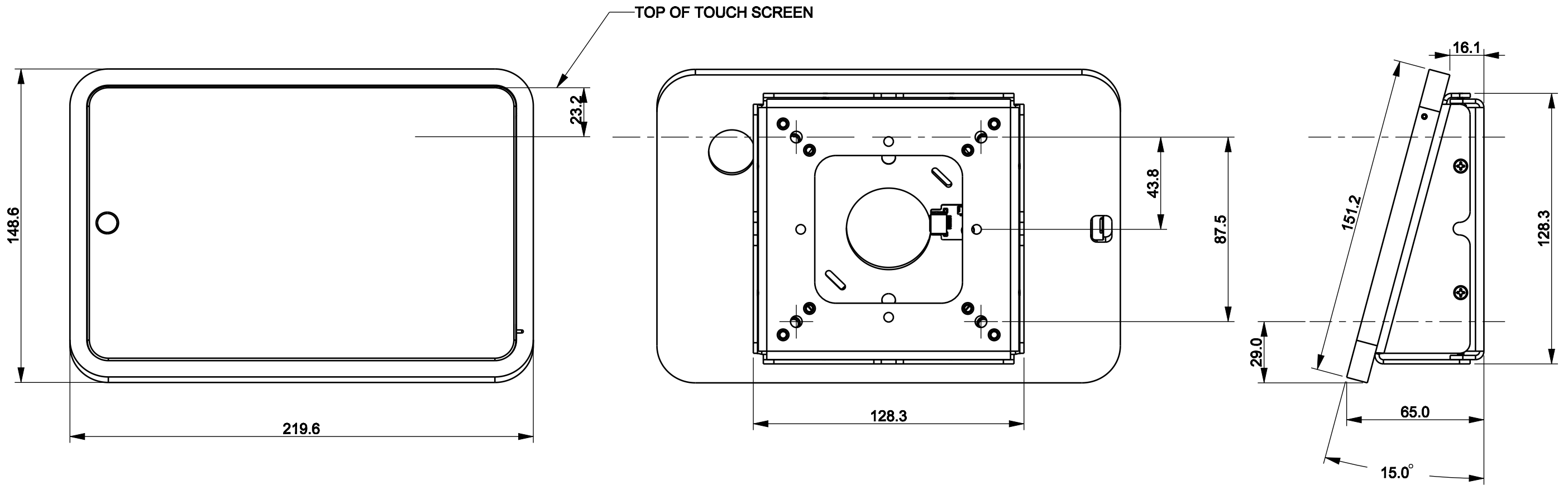


4 3 2 1

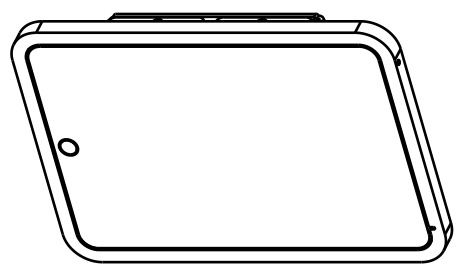
REVISIONS				
ZONE	REV	DESCRIPTION	DATE	APPROVED

D D




THIS DRAWING AND THE INFORMATION THEREIN ARE PROPERTY OF MAGTARGET AND SHALL NOT BE REPRODUCED, COPIED, RECORDED IN ANY MEDIA, USED FOR ANY OTHER PURPOSE OR DELIVERED AND/OR DISCLOSED TO ANY THIRD PARTY WITHOUT WRITTEN CONSENT OF MAGTARGET.

C B A



UNLESS OTHERWISE SPECIFIED DIMENSIONS ARE IN MM. TOLERANCES ARE: MILLIMETERS ANGLES X± 1.0 MM ± 0.5° .X± 0.50 MM .XX± 0.25 MM NOTE: .XXX± 0.125 MM INCHES=MM/25.4	- DO NOT SCALE DRAWING -	
	APPROVALS	DATE
FINISH	DRAWN BY	
	CHECKED	
	ENGINEER	
	MATERIAL	
REMOVE ALL BURRS & SHARP CORNERS ✓	SIZE B	MODEL NUMBER
	MASS 1.047	DWG NO. MINI_SLIM_15DEG_SURF_DRW
	SCALE 0.500	REV
	SHEET SHEET 1 OF 1	



MagTarget

IPad Mini, Surface Mount, 15 Degree, slim

4 3 2 1