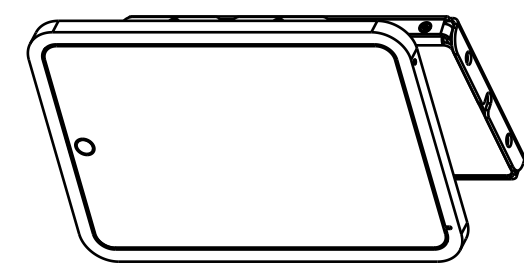
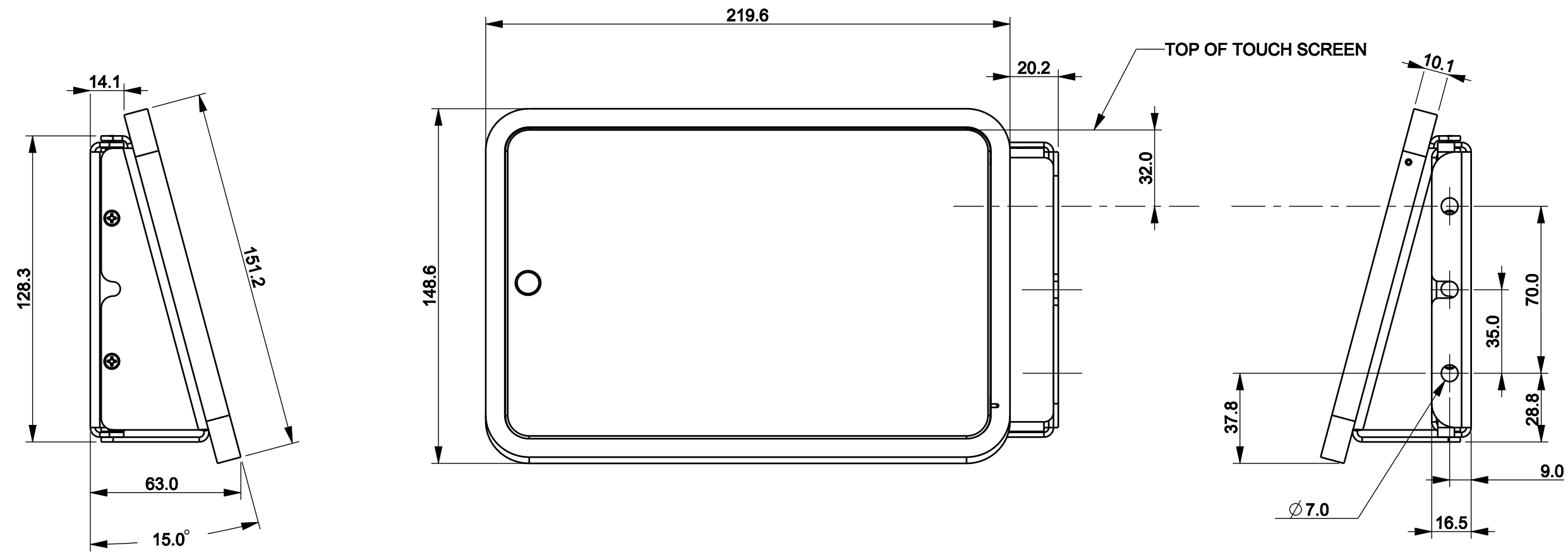



THIS DRAWING AND THE INFORMATION THEREIN ARE PROPERTY OF MAGTARGET AND SHALL NOT BE REPRODUCED, COPIED, RECORDED IN ANY MEDIA, USED FOR ANY OTHER PURPOSE OR DELIVERED AND/OR DISCLOSED TO ANY THIRD PARTY WITHOUT WRITTEN CONSENT OF MAGTARGET.

REVISIONS				
ZONE	REV	DESCRIPTION	DATE	APPROVED



UNLESS OTHERWISE SPECIFIED DIMENSIONS ARE IN MM. TOLERANCES ARE: MILLIMETERS ANGLES X± 1.0 MM ± 0.5° .X± 0.50 MM .XX± 0.25 MM NOTE: .XXX± 0.125 MM INCHES=MM/25.4	- DO NOT SCALE DRAWING -	
	APPROVALS	DATE
FINISH	DRAWN BY	
	CHECKED	
	ENGINEER	
	MATERIAL	
REMOVE ALL BURRS & SHARP CORNERS ✓	SIZE B	MODEL NUMBER
	MASS 1.163	DWG NO. MINI_SIDE_15DEG_SLIM
	SCALE 0.500	REV
	SHEET SHEET 1 OF 1	



MagTarget

IPad Mini, Side Mount, 15deg, Slim

D

D

C

B

A

4

3

2

1

4

3

2

1