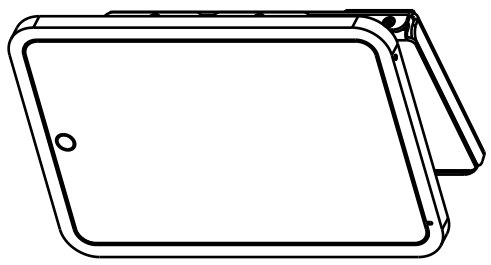
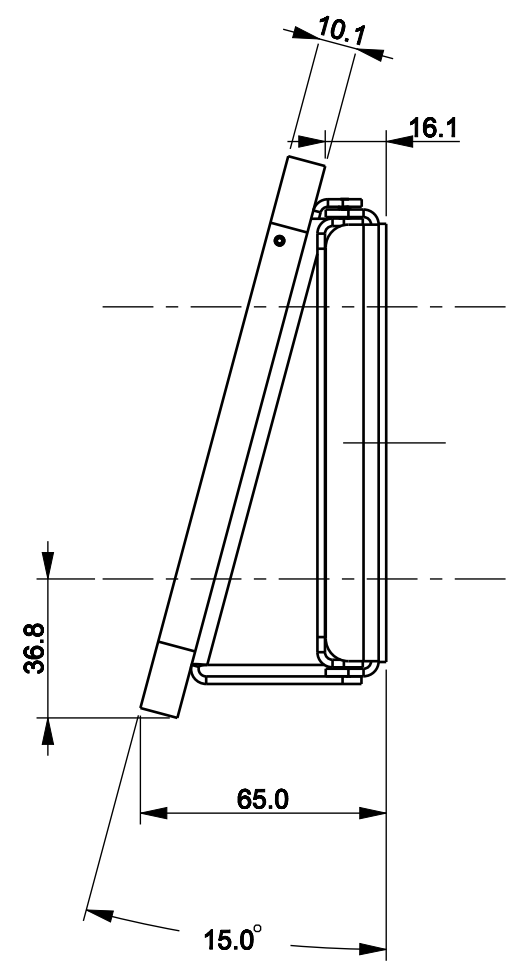
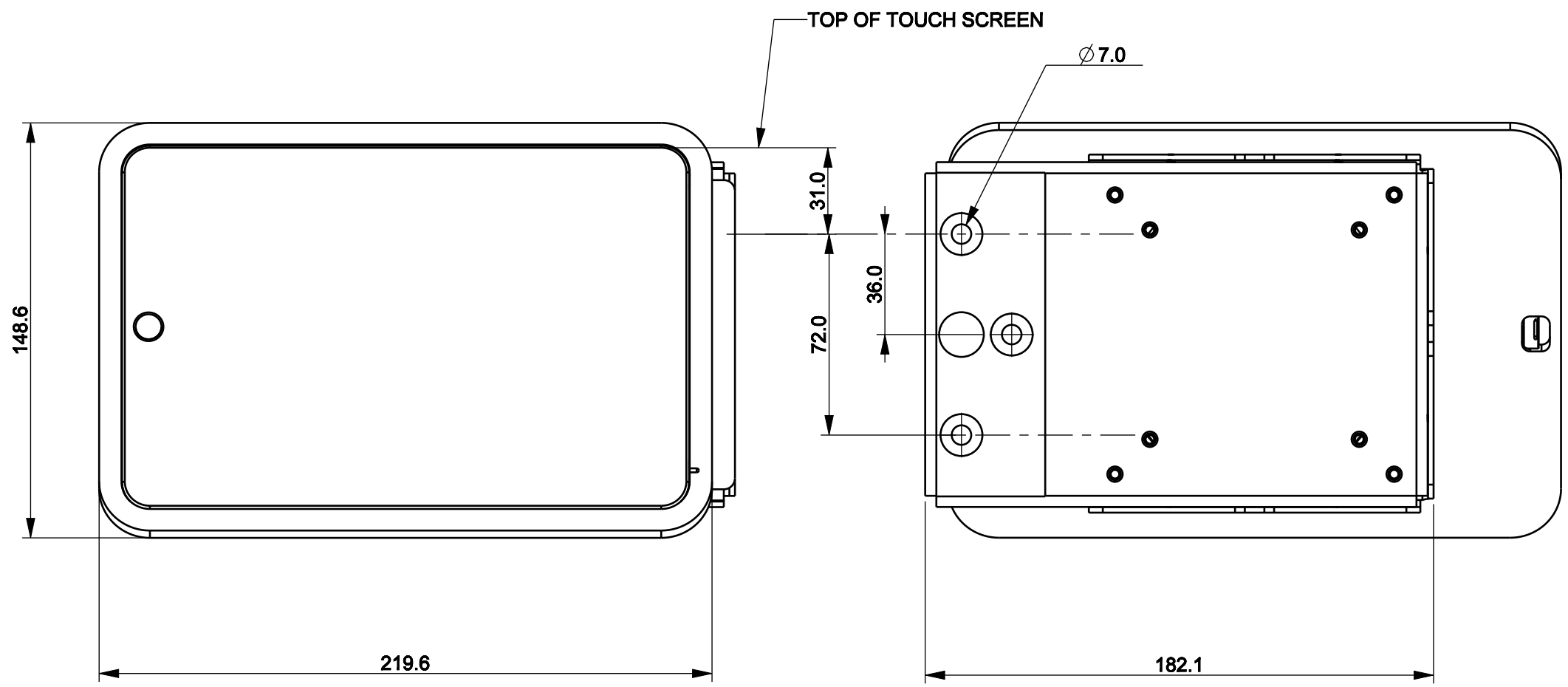


THIS DRAWING AND THE INFORMATION THEREIN ARE PROPERTY OF MAGTARGET AND SHALL NOT BE REPRODUCED, COPIED, RECORDED IN ANY MEDIA, USED FOR ANY OTHER PURPOSE OR DELIVERED AND/OR DISCLOSED TO ANY THIRD PARTY WITHOUT WRITTEN CONSENT OF MAGTARGET.

REVISIONS				
ZONE	REV	DESCRIPTION	DATE	APPROVED



UNLESS OTHERWISE SPECIFIED DIMENSIONS ARE IN MM. TOLERANCES ARE: MILLIMETERS ANGLES X± 1.0 MM ± 0.5° X± 0.50 MM .XX± 0.25 MM NOTE: .XXX± 0.125 MM INCHES=MM/25.4		- DO NOT SCALE DRAWING -	
FINISH		APPROVALS	DATE
REMOVE ALL BURRS & SHARP CORNERS ✓		DRAWN BY	CHECKED
		ENGINEER	
		MATERIAL	

iPad Mini, rearoffset mount, 15deg, slim			
SIZE	MODEL NUMBER	DWG NO.	REV
B		MINI_REAROFFSET_15DEG_SLIM	
MASS	SCALE	SHEET	
1.171	0.500	SHEET 1 OF 1	