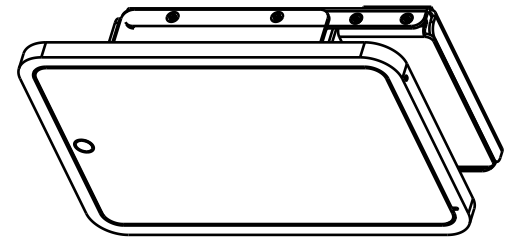
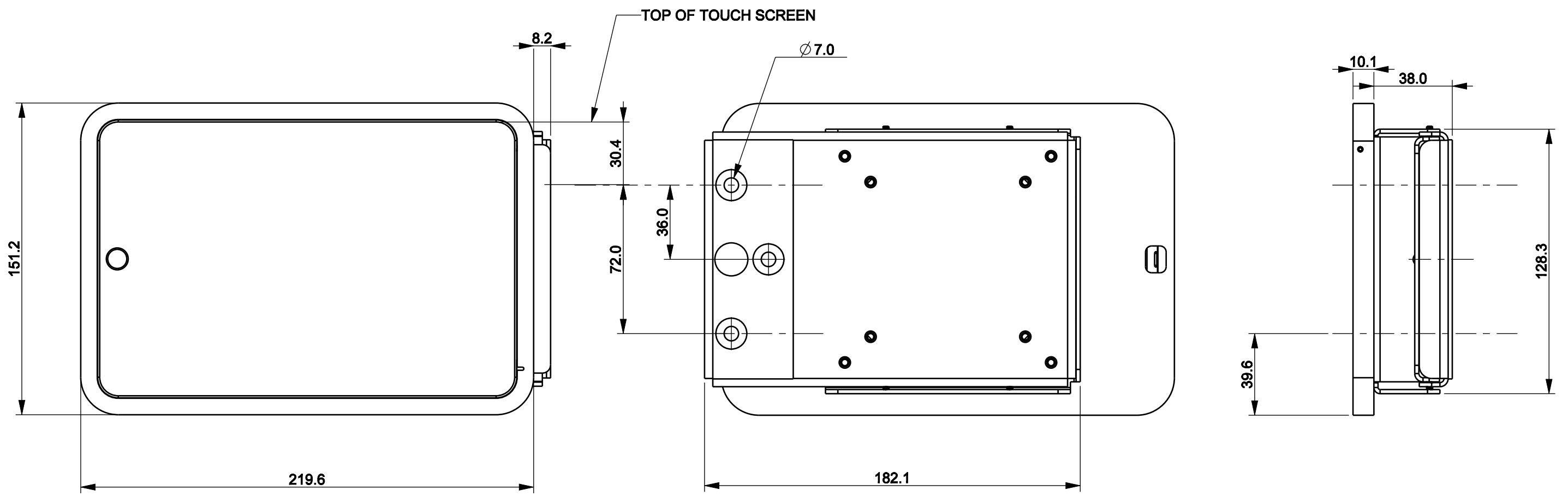



THIS DRAWING AND THE INFORMATION THEREIN ARE PROPERTY OF MAGTARGET AND SHALL NOT BE REPRODUCED, COPIED, RECORDED IN ANY MEDIA, USED FOR ANY OTHER PURPOSE OR DELIVERED AND/OR DISCLOSED TO ANY THIRD PARTY WITHOUT WRITTEN CONSENT OF MAGTARGET.

REVISIONS				
ZONE	REV	DESCRIPTION	DATE	APPROVED



<p>UNLESS OTHERWISE SPECIFIED DIMENSIONS ARE IN MM. TOLERANCES ARE: MILLIMETERS ANGLES X± 1.0 MM ± 0.5° X± 0.50 MM .XX± 0.25 MM NOTE: .XXX± 0.125 MM INCHES=MM/25.4</p>	- DO NOT SCALE DRAWING -	
	APPROVALS	DATE
FINISH	DRAWN BY	
	CHECKED	
	ENGINEER	
	MATERIAL	
REMOVE ALL BURRS & SHARP CORNERS <input checked="" type="checkbox"/>	SIZE	MODEL NUMBER
	B	
	MASS	DWG NO.
	1.179	MINI_REAROFFSET_0DEG_SLIM
	SCALE	REV
	0.500	
	SHEET	
	SHEET 1 OF 1	



**MagTarget**

**IPad, Mini, Rearoffset, 0deg, slim**

SIZE	MODEL NUMBER	DWG NO.	REV
B		MINI_REAROFFSET_0DEG_SLIM	
MASS	SCALE	SHEET	
1.179	0.500	SHEET 1 OF 1	