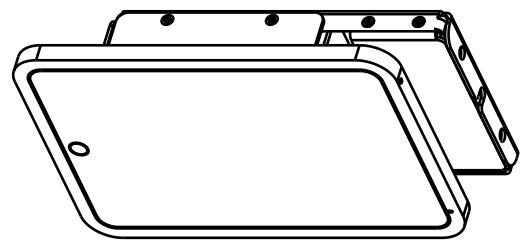
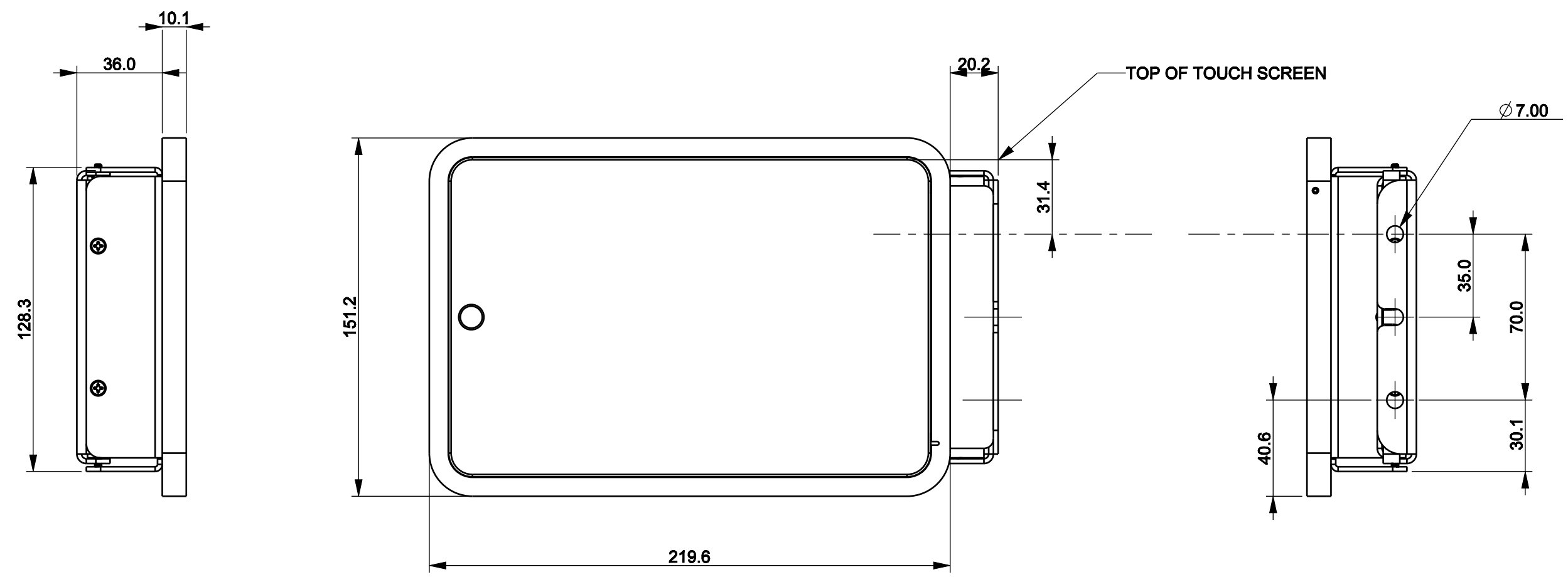


THIS DRAWING AND THE INFORMATION THEREIN ARE PROPERTY OF MAGTARGET AND SHALL NOT BE REPRODUCED, COPIED, RECORDED IN ANY MEDIA, USED FOR ANY OTHER PURPOSE OR DELIVERED AND/OR DISCLOSED TO ANY THIRD PARTY WITHOUT WRITTEN CONSENT OF MAGTARGET.

REVISIONS				
ZONE	REV	DESCRIPTION	DATE	APPROVED



UNLESS OTHERWISE SPECIFIED
DIMENSIONS ARE IN MM.
TOLERANCES ARE:
MILLIMETERS ANGLES
X± 1.0 MM ± 0.5°
X± 0.50 MM
.XX± 0.25 MM NOTE:
.XXX± 0.125 MM INCHES=MM/25.4

FINISH

- DO NOT SCALE DRAWING -

APPROVALS	DATE
DRAWN BY	
CHECKED	
ENGINEER	



IPad Mini, Side Mount, 0Deg, Slim

MATERIAL	SIZE B	MODEL NUMBER	DWG NO. MINI_SIDE_0DEG_SLIM	REV
REMOVE ALL BURRS & SHARP CORNERS <input checked="" type="checkbox"/>	MASS 1.171	SCALE 0.500	SHEET SHEET 1 OF 1	

D

D

C

B

A

4

3

2

1

4

3

2

1