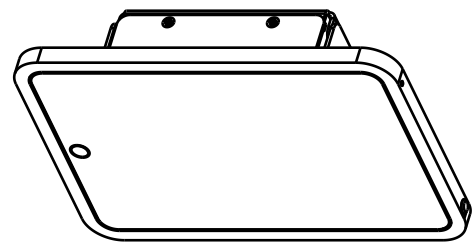
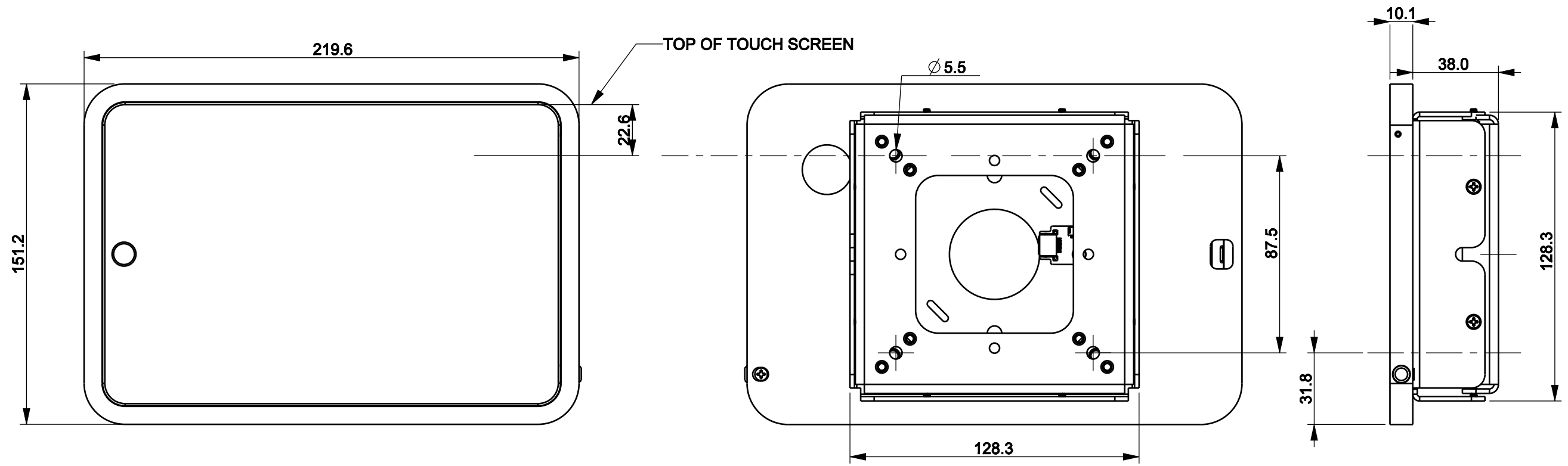


THIS DRAWING AND THE INFORMATION THEREIN ARE PROPERTY OF MAGTARGET AND SHALL NOT BE REPRODUCED, COPIED, RECORDED IN ANY MEDIA, USED FOR ANY OTHER PURPOSE OR DELIVERED AND/OR DISCLOSED TO ANY THIRD PARTY WITHOUT WRITTEN CONSENT OF MAGTARGET.

REVISIONS				
ZONE	REV	DESCRIPTION	DATE	APPROVED



UNLESS OTHERWISE SPECIFIED
DIMENSIONS ARE IN MM.
TOLERANCES ARE:
MILLIMETERS ANGLES
X± 1.0 MM ± 0.5°
X± 0.50 MM
.XX± 0.25 MM NOTE:
.XXX± 0.125 MM INCHES=MM/25.4

FINISH

- DO NOT SCALE DRAWING -

APPROVALS DATE

DRAWN BY

CHECKED

ENGINEER

MATERIAL

REMOVE ALL BURRS & SHARP CORNERS ✓



IPad Mini Surface Mount, 0 degree, slim

SIZE B	MODEL NUMBER	DWG NO. MINI_SLIM_SURF_0DEG	REV
------------------	--------------	---------------------------------------	-----

MASS 1.055	SCALE 0.500	SHEET SHEET 1 OF 1
---------------	----------------	-----------------------

D

D

C

B

A

4

3

2

1

4

3

2

1