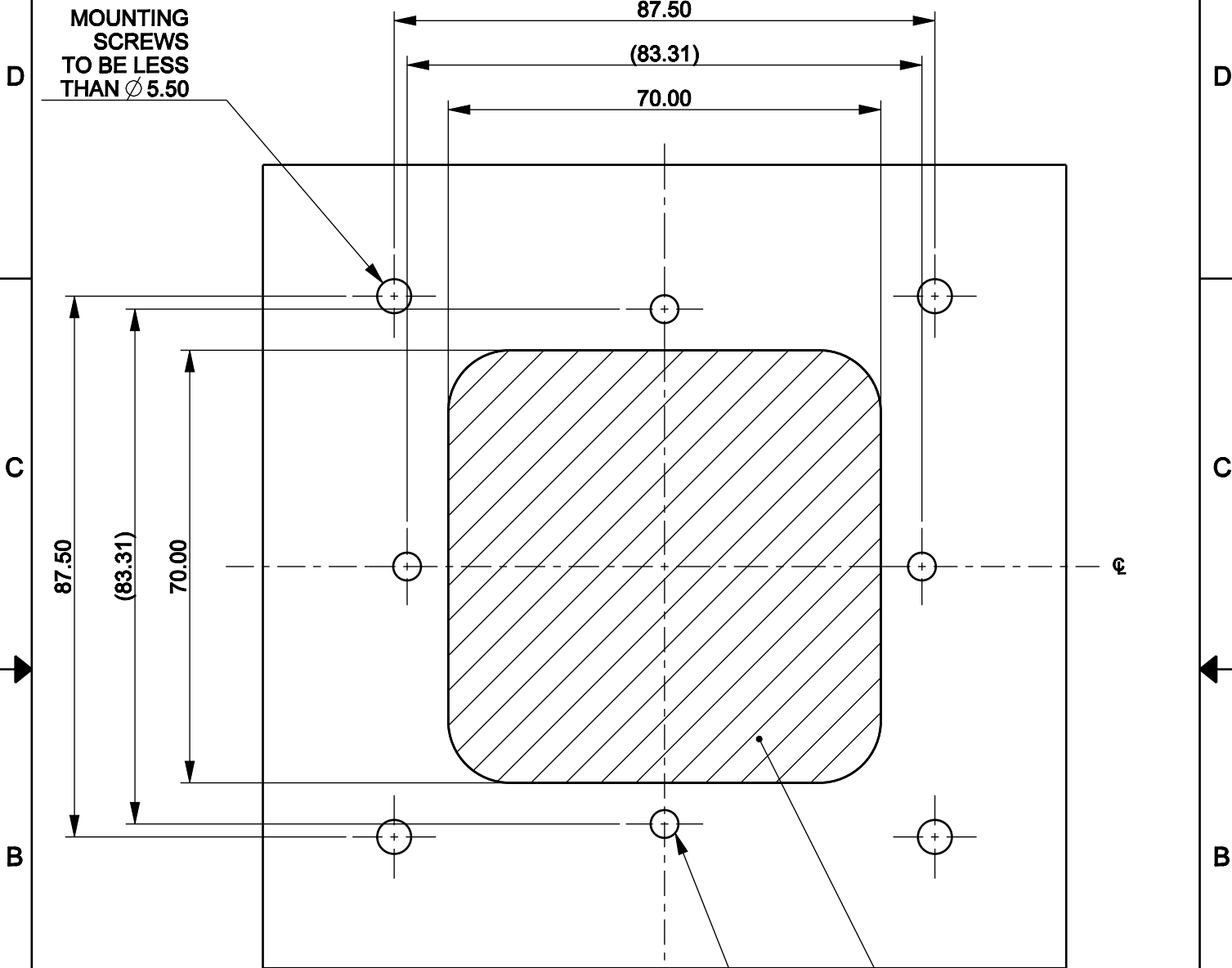


2

1


REVISIONS			
REV	DESCRIPTION	DATE	APPROVED
A	PRODUCTION RELEASE	2021-09-29	



**PRINT AT FULL SCALE  
USING ADOBE READER  
"ACTUAL SIZE" SETTING**

ETHERNET CABLE  
TO BE FED  
WITHIN THIS AREA

U.S. ELECTRICAL BOX  
SWITCH/OUTLET HOLES  
FOR ALIGNMENT USE ONLY

ITEM	DESCRIPTION	PART NUMBER	QTY LT	QTY RT	MATERIAL	SIZE	
UNLESS OTHERWISE SPECIFIED DIMENSIONS ARE IN MM. TOLERANCES ARE: MILLIMETERS ANGLES X± 1.0 MM ± 0.5° .X± 0.50 MM .XX± 0.25 MM .XXX± 0.125 MM		- DO NOT SCALE DRAWING -		 <p><b>VISUALTARGET DRILL GUIDE, SURFACE MOUNT</b></p>			A
FINISH		APPROVALS	DATE				
REMOVE ALL BURRS & SHARP CORNERS 1.8		DRAWN BY	CHECKED				
		ENGINEER					
		MATERIAL	SIZE	MODEL NUMBER	DWG NO.	REV	
			A		555-0033	A	
		MASS	SCALE	SHEET	SHEET 1 OF 1		
		0.003	1.000				