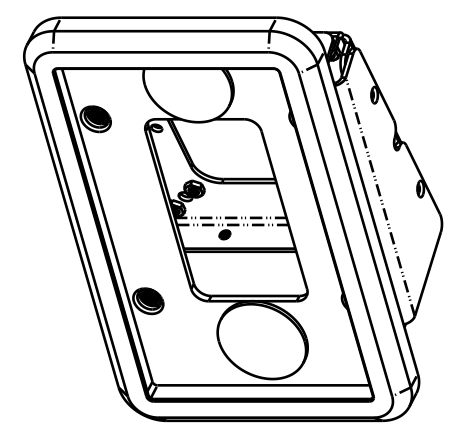
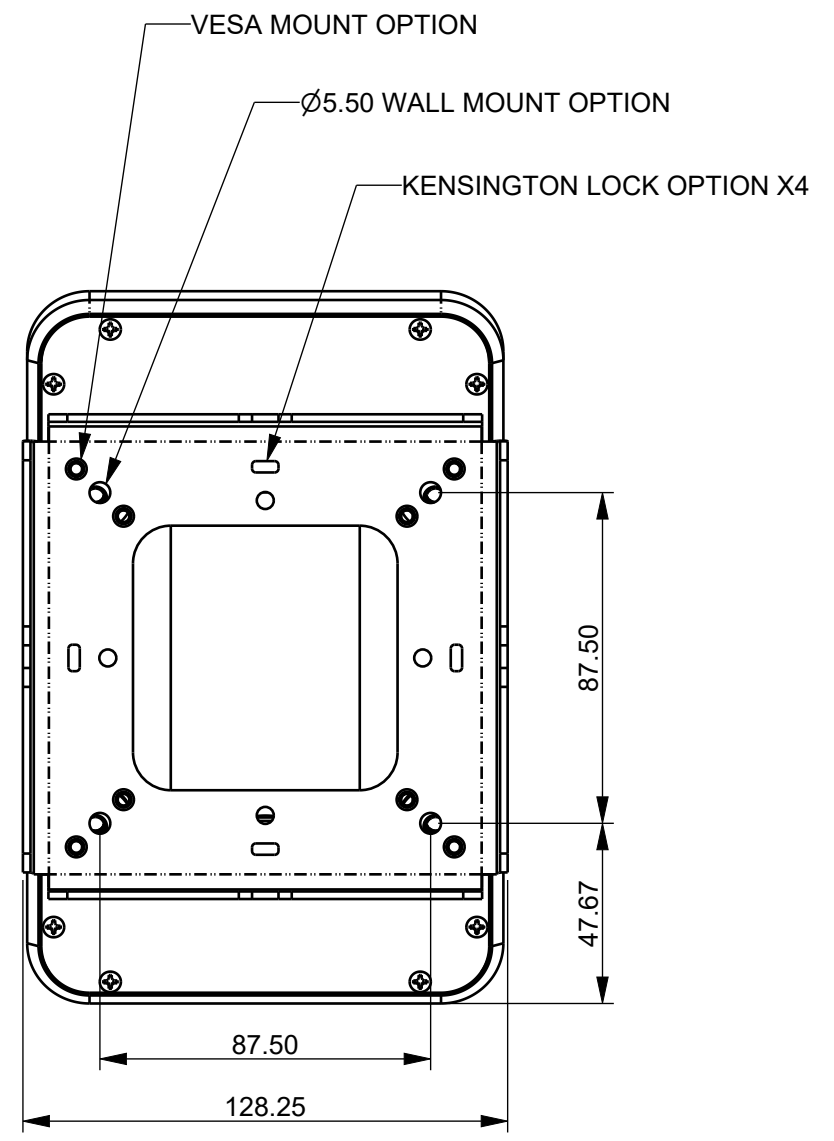
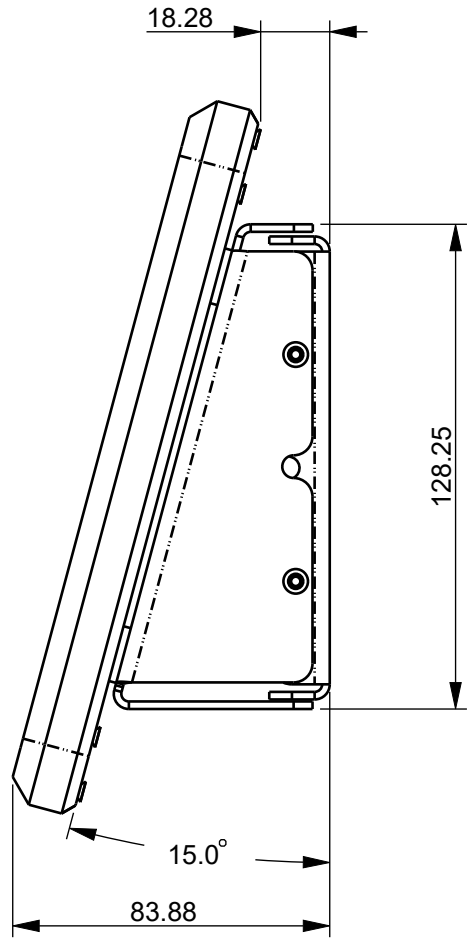
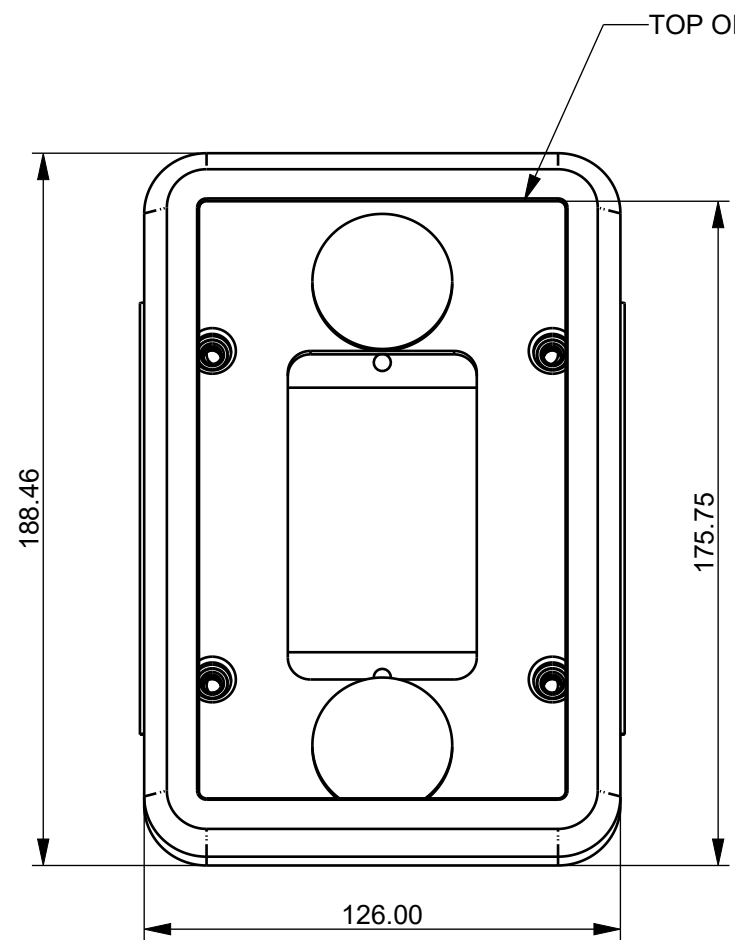


THIS DRAWING AND THE INFORMATION THEREIN ARE PROPERTY OF MAGTARGET AND SHALL NOT BE REPRODUCED, COPIED, RECORDED IN ANY MEDIA, USED FOR ANY OTHER PURPOSE OR DELIVERED AND/OR DISCLOSED TO ANY THIRD PARTY WITHOUT WRITTEN CONSENT OF MAGTARGET.

REVISIONS				
ZONE	REV	DESCRIPTION	DATE	APPROVED



UNLESS OTHERWISE SPECIFIED  
DIMENSIONS ARE IN MM.  
TOLERANCES ARE:  
MILLIMETERS ANGLES  
X± 1.0 MM ± 0.5°  
.X± 0.50 MM  
.XX± 0.25 MM NOTE:  
.XXX± 0.125MM INCHES=MM/25.4

FINISH

- DO NOT SCALE DRAWING -

APPROVALS DATE

DRAWN BY

CHECKED

ENGINEER

MATERIAL

REMOVE ALL BURRS & SHARP CORNERS



**VISUALTARGET TSS-770,  
15 DEG, PORTRAIT, SURFACE MNT**

SIZE B	MODEL NUMBER	DWG NO. 596-0000-1XX_SURFACE_MOUNT	REV
MASS 0.000	SCALE 0.500	SHEET SHEET 1 OF 1	