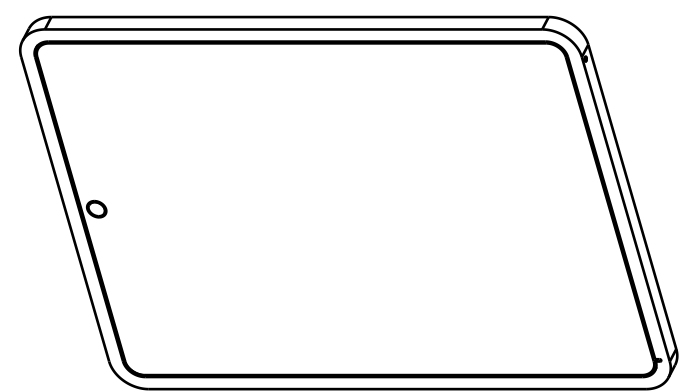
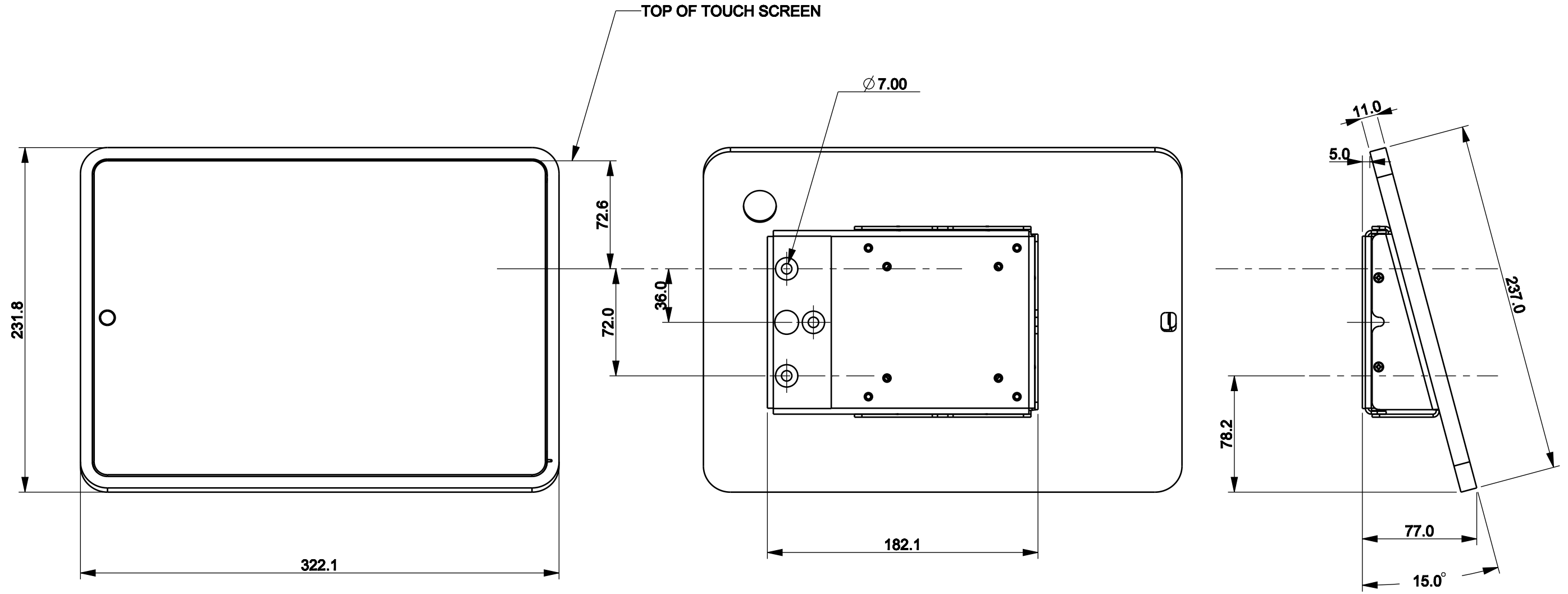


THIS DRAWING AND THE INFORMATION THEREIN ARE PROPERTY OF MAGTARGET AND SHALL NOT BE REPRODUCED, COPIED, RECORDED IN ANY MEDIA, USED FOR ANY OTHER PURPOSE OR DELIVERED AND/OR DISCLOSED TO ANY THIRD PARTY WITHOUT WRITTEN CONSENT OF MAGTARGET.

REVISIONS				
ZONE	REV	DESCRIPTION	DATE	APPROVED



<p>UNLESS OTHERWISE SPECIFIED DIMENSIONS ARE IN MM. TOLERANCES ARE: MILLIMETERS ANGLE X:± 1.0 MM ± 0.5° Y:± 0.60 MM XX:± 0.25 MM NOTE: XXX:± 0.125 MM INCHES-MM25.4</p>	- DO NOT SCALE DRAWING -	
	APPROVALS	DATE
FINISH	DRAWN BY	CHECKED
	ENGINEER	
	MATERIAL	
REMOVE ALL BURRS & SHARP CORNERS		

<p>IPad Pro, rearoffset mount, 15deg, slim</p>			
SIZE	MODEL NUMBER	DWG NO.	REV
B		PRO_REAROFFSET_15DEG_SLIM	
MASS	SCALE	SHEET	
2.515	0.350	SHEET 1 OF 1	