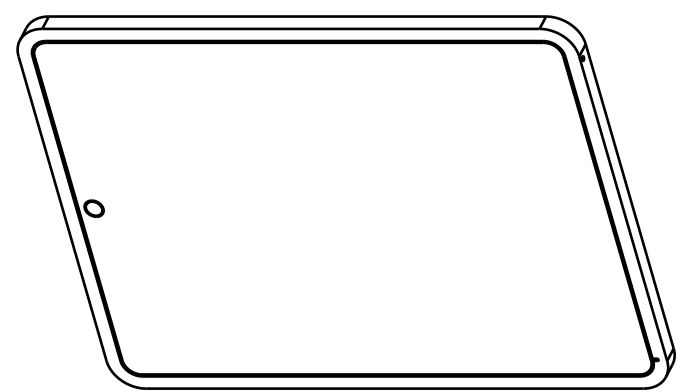
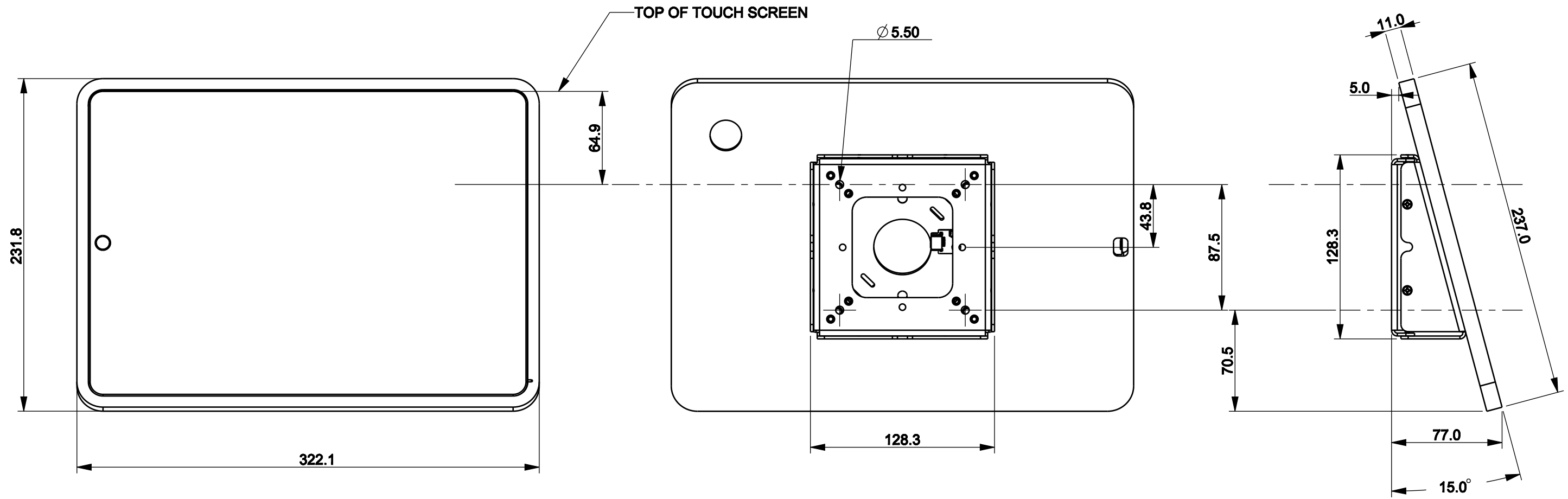


THIS DRAWING AND THE INFORMATION THEREIN ARE PROPERTY OF MAGTARGET AND SHALL NOT BE REPRODUCED, COPIED, RECORDED IN ANY MEDIA, USED FOR ANY OTHER PURPOSE OR DELIVERED AND/OR DISCLOSED TO ANY THIRD PARTY WITHOUT WRITTEN CONSENT OF MAGTARGET.

REVISIONS				
ZONE	REV	DESCRIPTION	DATE	APPROVED



UNLESS OTHERWISE SPECIFIED  
DIMENSIONS ARE IN MM.  
TOLERANCES ARE:  
MILLIMETERS ANGLES  
X: ± 1.0 MM ± 0.5°  
Y: ± 0.60 MM  
XX: ± 0.25 MM NOTE:  
XXX: ± 0.125 MM INCHES-MM25.4

FINISH

- DO NOT SCALE DRAWING -

APPROVALS	DATE
-----------	------

DRAWN BY	
----------	--

CHECKED	
---------	--

ENGINEER	
----------	--

MATERIAL	
----------	--

REMOVE ALL BURRS & SHARP CORNERS	<input checked="" type="checkbox"/>
----------------------------------	-------------------------------------



IPad, Pro, Surface Mount, 0deg, slim

SIZE <b>B</b>	MODEL NUMBER	DWG NO. PRO_SURF_0DEG_SLIM	REV
MASS 2.385	SCALE 0.350	SHEET SHEET 1 OF 1	

D

D

C

B

A

4

3

2

1

4

3

2

1