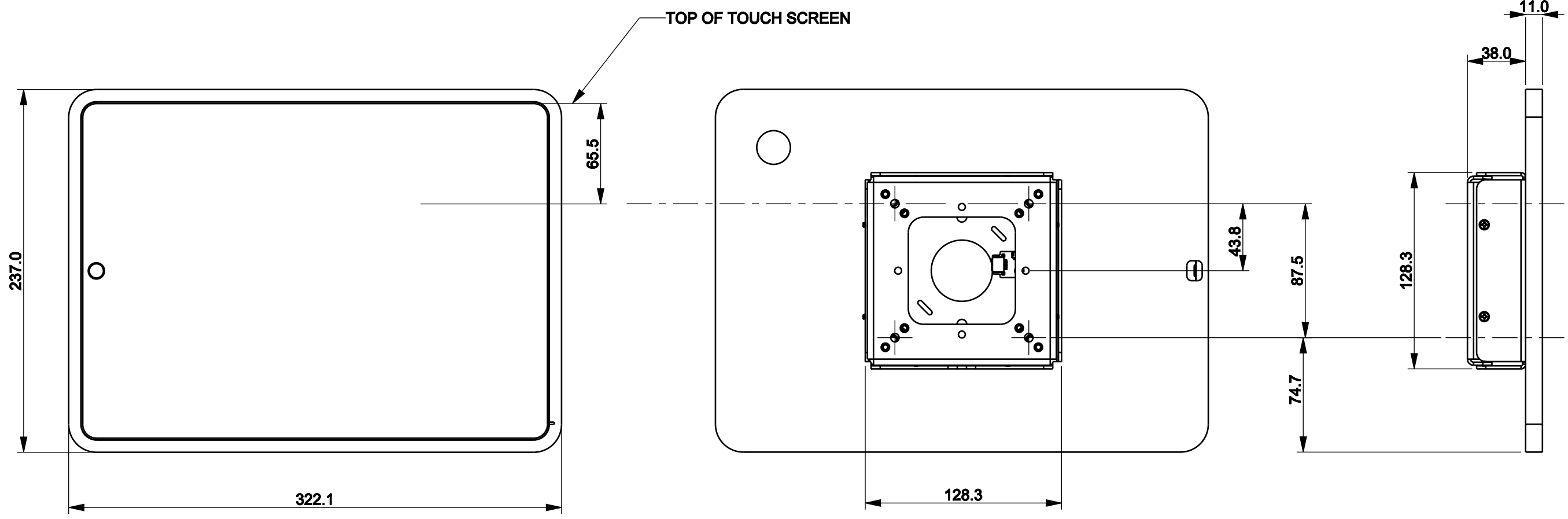


4 3 2 1

REVISIONS				
ZONE	REV	DESCRIPTION	DATE	APPROVED

D

D



THIS DRAWING AND THE INFORMATION THEREIN ARE PROPERTY OF MAGTARGET AND SHALL NOT BE REPRODUCED, COPIED, RECORDED IN ANY MEDIA, USED FOR ANY OTHER PURPOSE OR DELIVERED AND/OR DISCLOSED TO ANY THIRD PARTY WITHOUT WRITTEN CONSENT OF MAGTARGET.

C

B

A

<p>UNLESS OTHERWISE SPECIFIED DIMENSIONS ARE IN MM. TOLERANCES ARE: MILLIMETERS ANGLES X:± 1.0 MM ± 0.5° Y:± 0.60 MM XX:± 0.25 MM NOTE: XXX:± 0.125 MM INCHES-MM25.4</p>		<p>- DO NOT SCALE DRAWING -</p>				
<p>APPROVALS</p>		<p>DATE</p>		<p>IPad Pro, Surface Mount, 0Deg, slim</p>		
<p>DRAWN BY</p>		<p>CHECKED</p>				
<p>ENGINEER</p>		<p>MATERIAL</p>				
<p>REMOVE ALL BURRS & SHARP CORNERS</p>		<p>FINISH</p>				
SIZE	MODEL NUMBER	DWG NO.	REV	<p>B PRO_SURF_0DEG_SLIM</p>		
MASS	SCALE	SHEET	<p>2.394 0.350 SHEET 1 OF 1</p>			

4

3

2

1