



VisualTarget

BY  MagTarget®

**VisualTarget
INSTALLATION
INSTRUCTIONS**



TABLE OF CONTENTS

ENCLOSURES

1 VisualTarget LIGHTED ENCLOSURES **2-10**

2 VisualTarget SLIM ENCLOSURES **11-14**

PREFERRED MOUNTING METHODS

3 SIDE MOUNT **15-22**

4 REAR OFFSET MOUNT **23-30**

5 SURFACE MOUNT **31-37**

6 GLASS MOUNT **38-40**

1

ENCLOSURES

VisualTarget

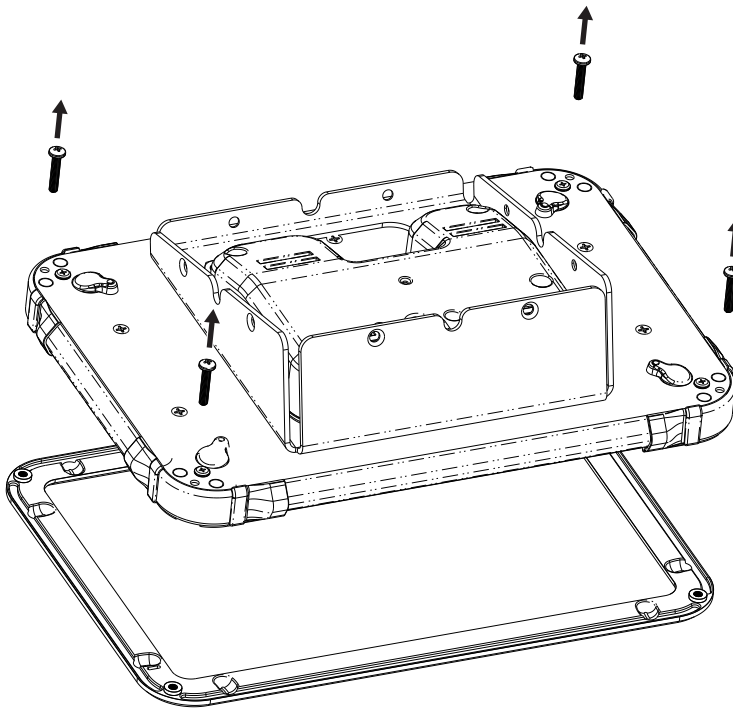
LIGHTED ENCLOSURES

ENCLOSURES
VisualTarget LIGHTED ENCLOSURES

The instructions below highlight our recommended installation method when installing VisualTarget Lighted Enclosures.

INSTALLATION STEPS

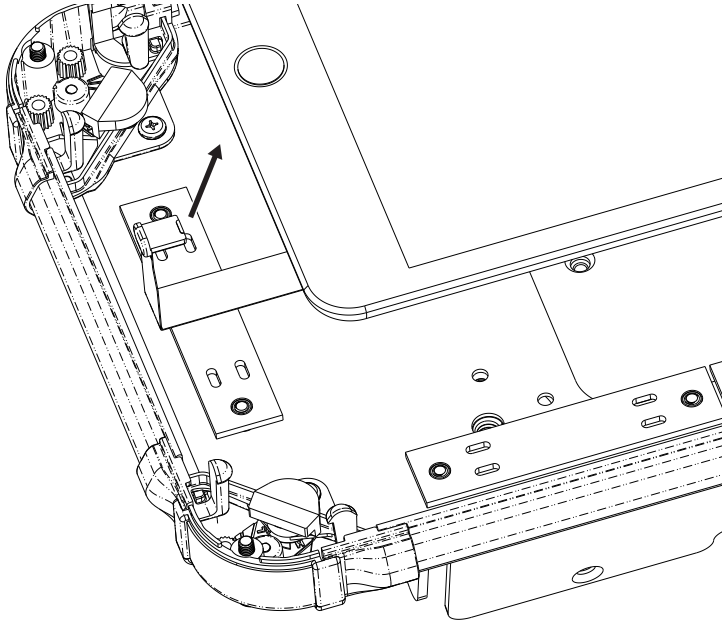
Step 1: Separate the back and front enclosures.



VisualTarget

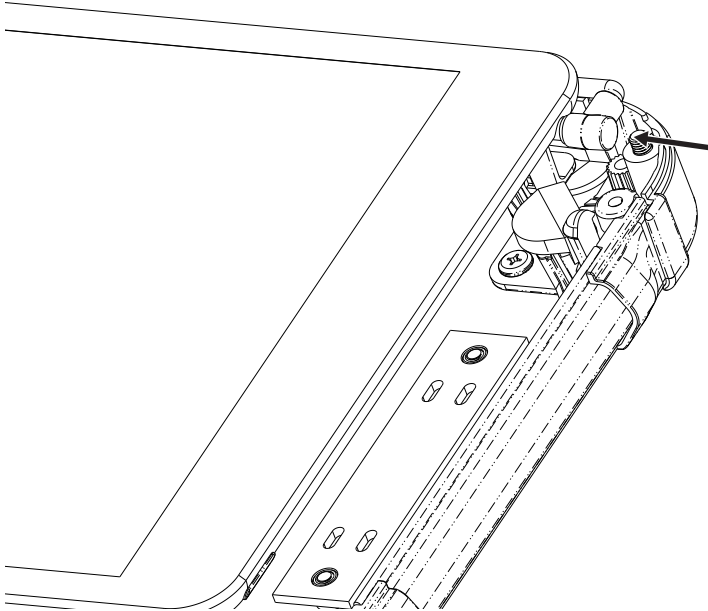
BY  MagTarget.

Step 2: Plug the VisualTarget lightning connector into the device.



ENCLOSURES
VisualTarget LIGHTED ENCLOSURES

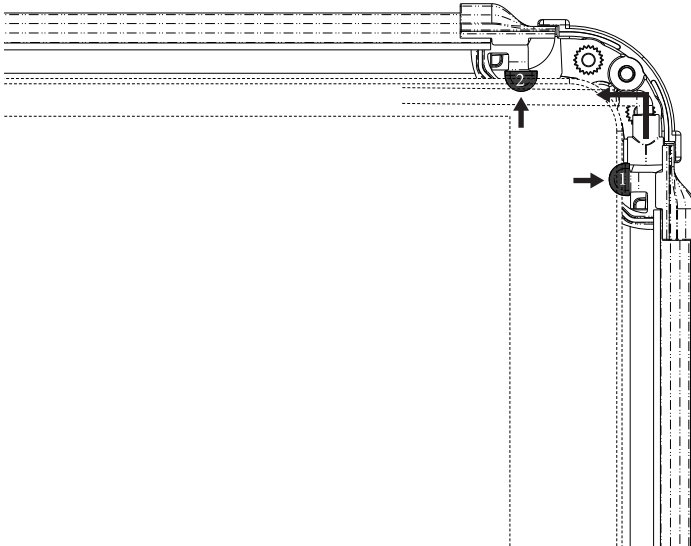
Step 3: Plug in Audio Jack to the device.



VisualTarget

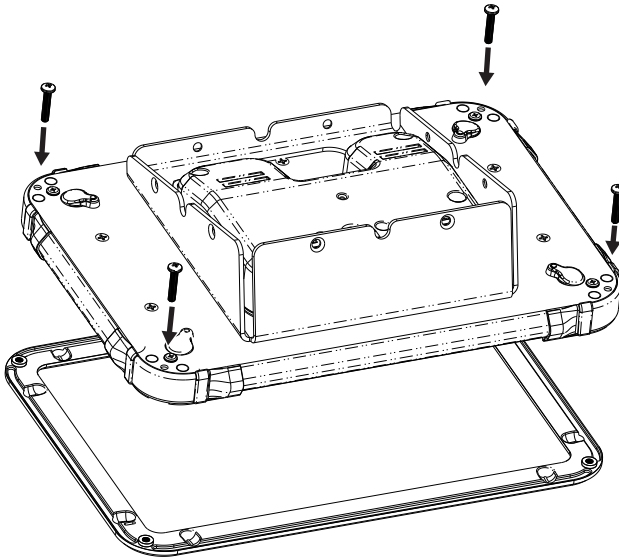
BY  MagTarget.

Step 4: At four corners, (1) snap the device underneath the support features, (2) make sure that the audio cable is routed as direction shown:



ENCLOSURES
VisualTarget LIGHTED ENCLOSURES

Step 5: Install the front enclosure.



VisualTarget

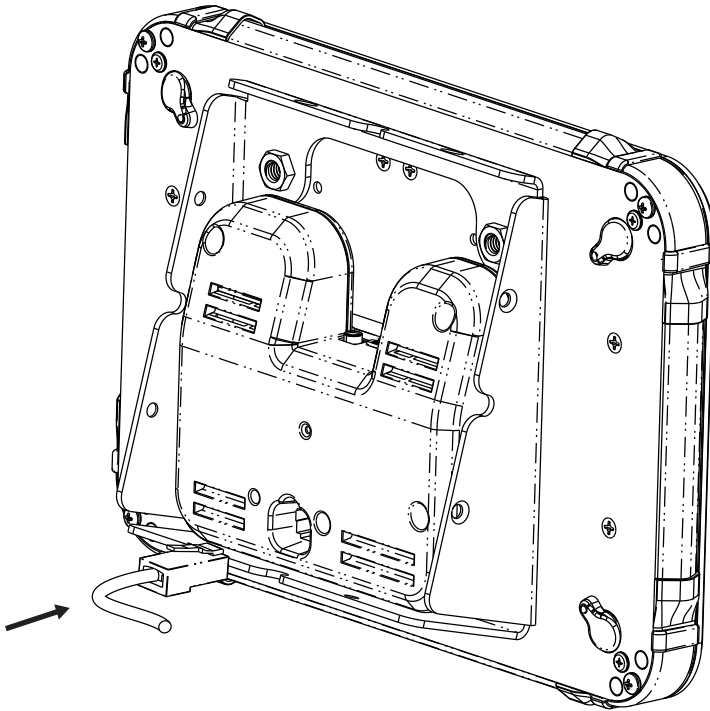
BY  MagTarget.

Note: Press the plastic cap inward if it is offset from the front enclosure.



ENCLOSURES
VisualTarget LIGHTED ENCLOSURES

Step 6: Plug the RJ45 connector from the power source in the socket on VisualTarget electronics. Choose one of the three mounting options: rear-offset mount, side mount and surface mount, then follow the specific guide for the chosen mounting option.

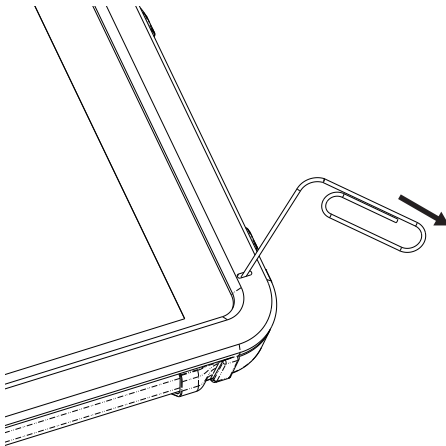


VisualTarget

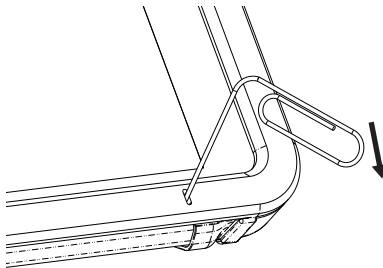
BY  MagTarget.

Note: Power up the device using the home button if it is in sleep mode. The power button can be accessed via a paper clip using the methods shown below.

For iOS device (iPad):



For Android device (Samsung):



2

ENCLOSURES

VisualTarget

SLIM ENCLOSURES

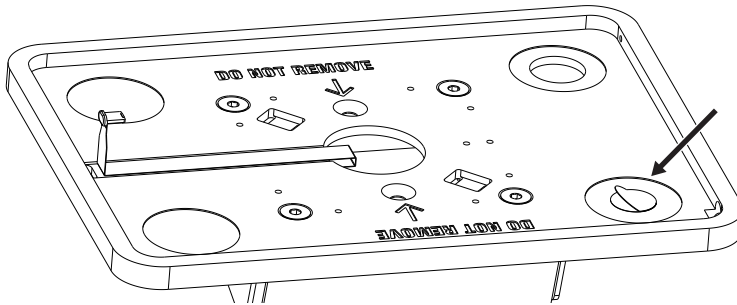
VisualTarget

BY  MagTarget.

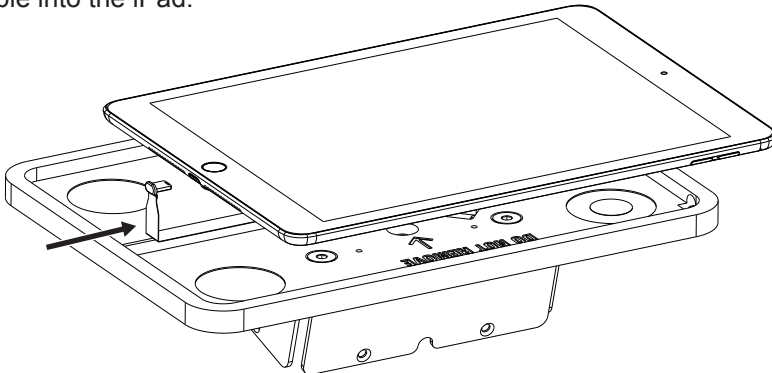
The instructions below highlight our recommended installation method when installing VisualTarget Slim Enclosures.

INSTALLATION STEPS

Step 1: Peel off the liner of 3M VHB tape.



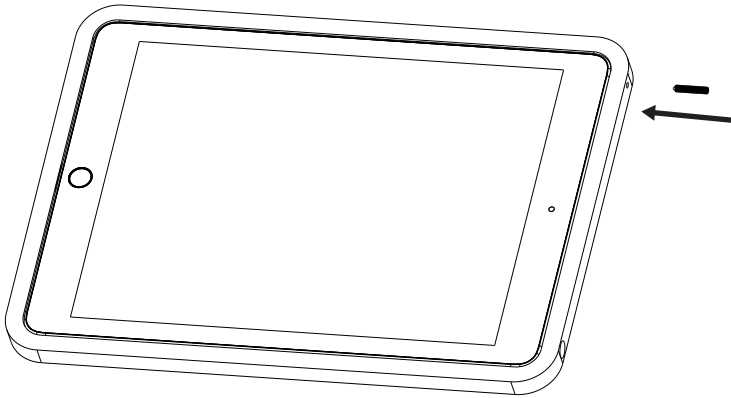
Step 2: Place the iPad onto the enclosure and plug the flat lightning cable into the iPad.



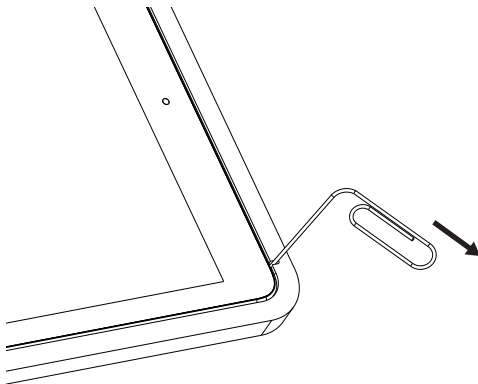
Slide the iPad in place until the flat Lightning cable slide in its cutout and the iPad lays flat into the enclosure.

Step 3: Fasten the provided M3 set-screw using a 1.5 mm Allen wrench.

Note: the set-screw head should stop flush with the outside surface of the enclosure. Moving the set-screw all the way in would result in damage to the iPad.



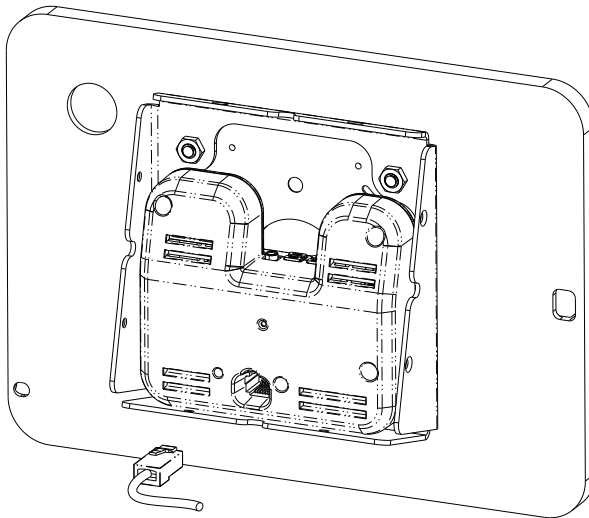
Note: Power up the iPad using the home button if it is in sleep mode. The power button can be accessed via a paper clip using the method shown below. Verify that the iPad is charging. If not ensure the PoE switch has been turned on for this particular location.



VisualTarget

BY  MagTarget.

Step 4: Plug the RJ45 connector from the power source in the socket on VisualTarget electronics. Choose one of the three mounting options: rear-offset mount, side mount and surface mount, then follow the specific guide for the chosen mounting option.



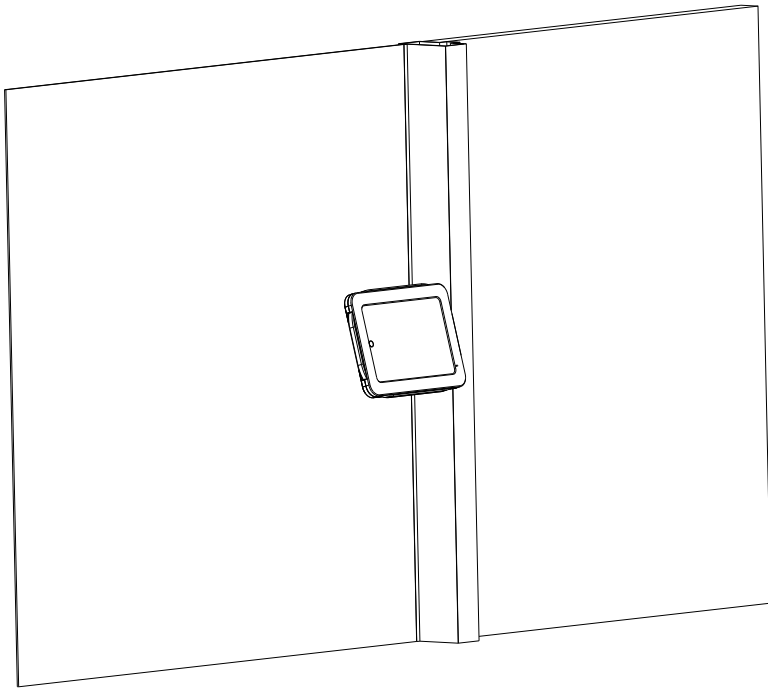
3

PREFERRED MOUNTING METHODS
SIDE-MOUNT

VisualTarget

BY  MagTarget.

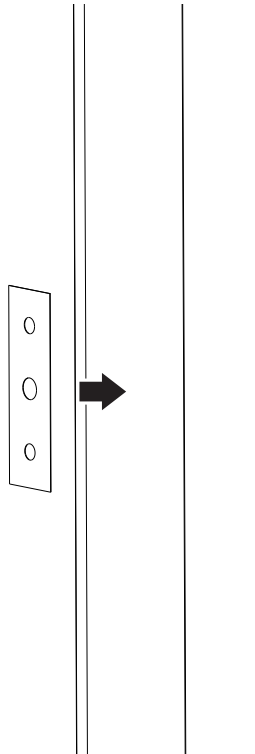
The instructions below highlight our recommended installation method for side mounting options suitable for every version of VisualTarget enclosure. Follow this guide when fastening VisualTarget enclosures to aluminum extrusions such as in door frame/mullion.



INSTALLATION STEPS

Step 1:

- a. Download and print the Drill Guide from support.magtarget.com that correspond to the bracket purchased. **Ensure the drill guide template is printed at full scale using the Actual Size option in Acrobat Reader*****
- b. Temporarily hold the Drill Guide on the desired location and height. **Check local regulation to see if any rules apply to the height of the enclosure. In the USA the Americans with Disability Act (ADA) asks for a maximum reach height of 48 inches*****

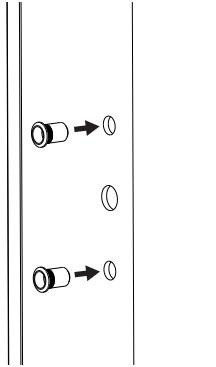


VisualTarget

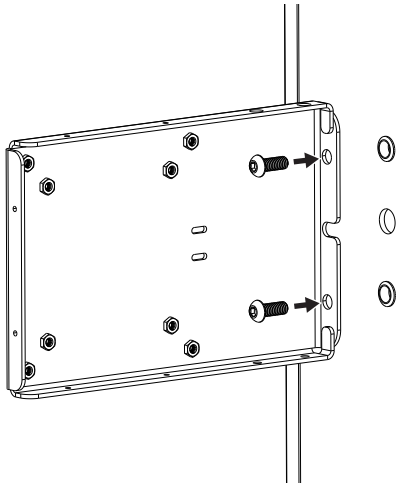
BY  MagTarget.

Step 2:

- Drill pilot holes with a small diameter drill bit per the Drill Guide.
- Drill full size holes as per Drill Guide.
- Install M6 rivet nuts. (sold separately)

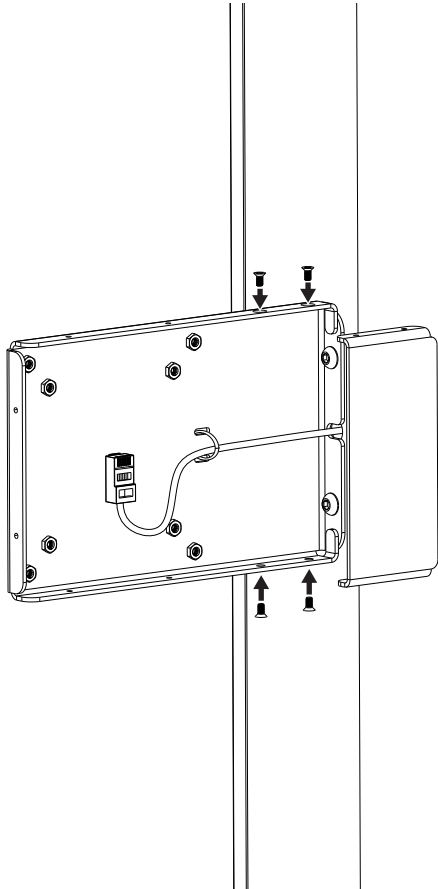


Step 3: Bolt the bracket tightly into place using M6 screws.



PREFERRED MOUNTING METHODS
SIDE-MOUNT

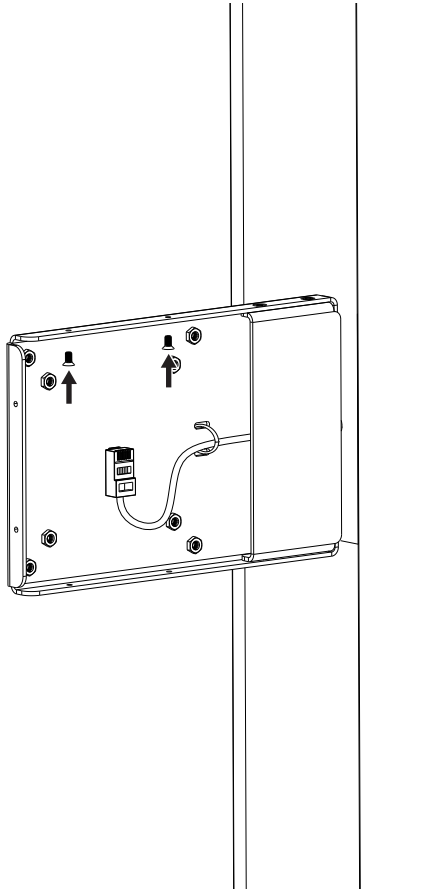
Step 4: If not already run through the mullion, run the PoE network cable. As shown on the picture below. Install the cover piece at the same time.



VisualTarget

BY  MagTarget.

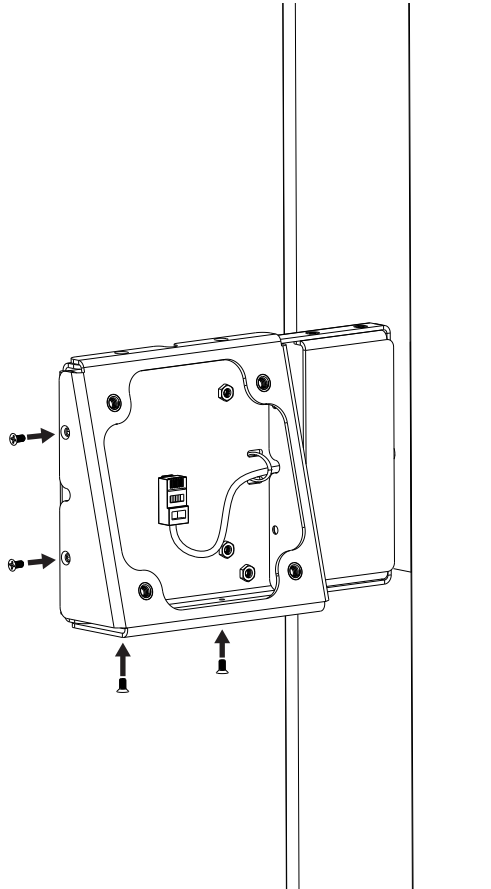
Step 5: To get ready to install the VisualTarget enclosure, one or two of the M3 screw can be screwed into the top edge of the bracket for making one-person installation easier.



PREFERRED MOUNTING METHODS
SIDE-MOUNT

Step 6:

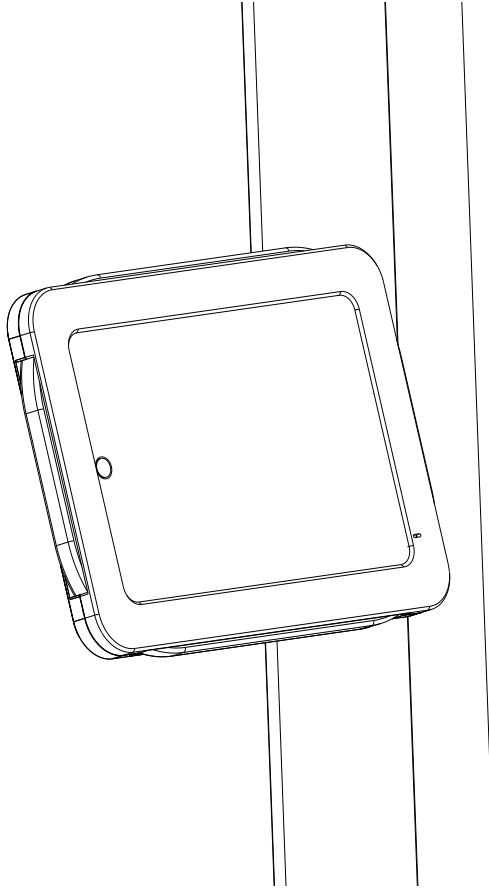
- a. Plug in the PoE cable into the port in the back of the enclosure.
- b. Slide iPad enclosure assembly onto the bracket (enclosure not shown for clarity):
- c. Ensure the iPad is receiving power. If not check if the PoE port is activated.
- d. Insert the remaining M3 fasteners to secure the enclosure in place.



VisualTarget

BY  MagTarget.

This complete the installation of the MagTarget VisualTarget enclosure (side).



Lighted VisualTarget Enclosure is shown here, but other types of enclosures can be installed using the same methods.

4

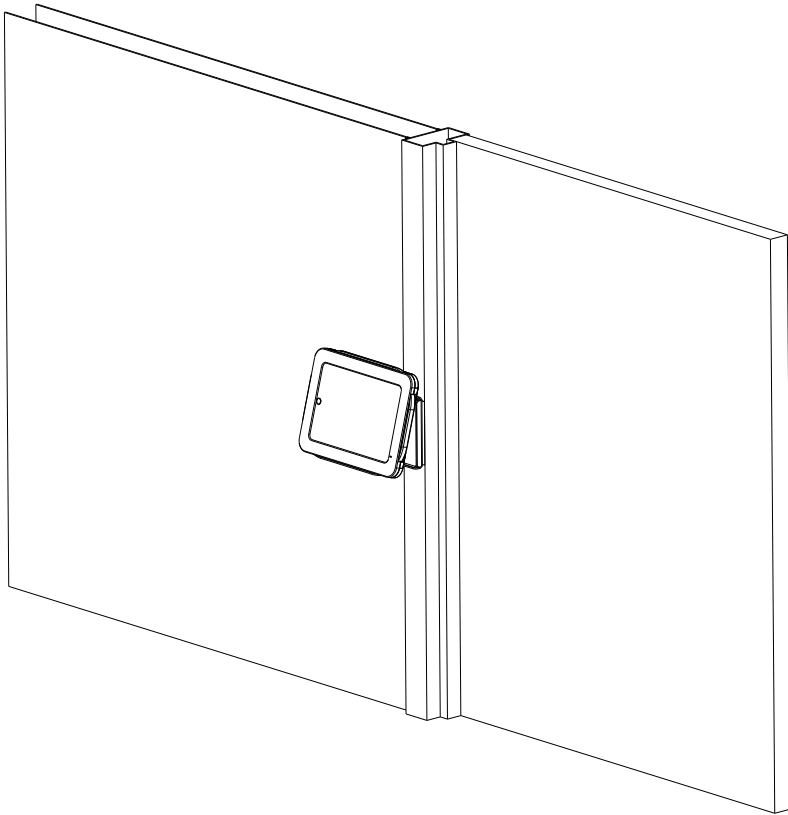
PREFERRED MOUNTING METHODS

REAR-OFFSET MOUNT

VisualTarget

BY  MagTarget.

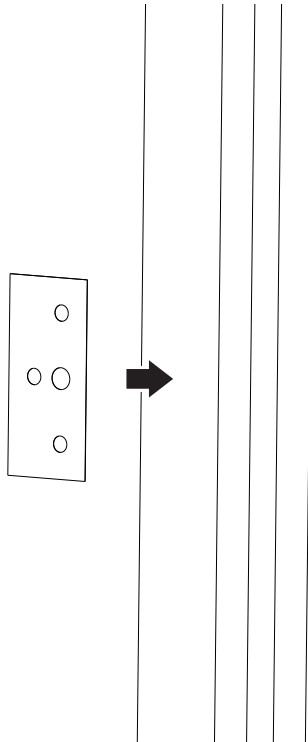
The instructions below highlight our recommended installation method for rear-offset mounting options suitable for every version of VisualTarget enclosure. Follow this guide when fastening VisualTarget enclosures to aluminum extrusions such as in door frame/mullion.



INSTALLATION STEPS

Step 1:

- a. Download and print the Drill Guide from support.magtarget.com that correspond to the bracket purchased. **Ensure the drill guide template is printed at full scale using the Actual Size option in Acrobat Reader*****
- b. Temporarily hold the Drill Guide on the desired location and height. **Check local regulation to see if any rules apply to the height of the enclosure. In the USA the Americans with Disability Act (ADA) asks for a maximum reach height of 48 inches*****

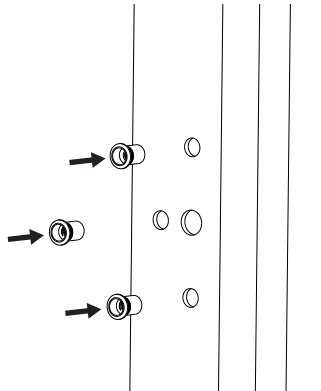


VisualTarget

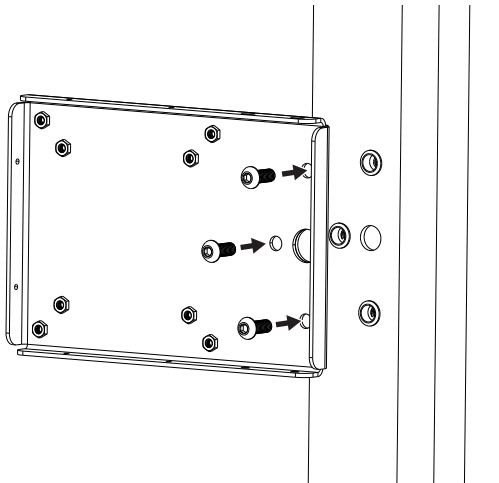
BY  MagTarget.

Step 2:

- Drill pilot holes with a small diameter drill bit per the Drill Guide.
- Drill full size holes as per Drill Guide.
- Install M6 rivet nuts. (sold separately)

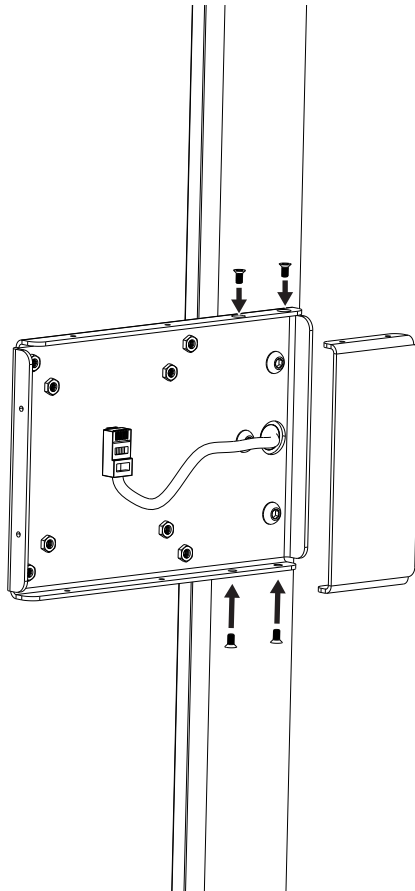


Step 3: Bolt the bracket tightly into place using M6 screws.



PREFERRED MOUNTING METHODS
REAR-OFFSET

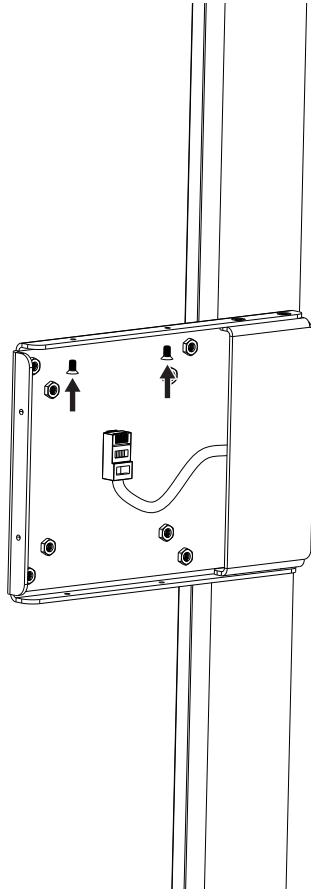
Step 4: If not already run through the mullion, run the PoE network cable. As shown on the picture below. Install the cover piece at the same time.



VisualTarget

BY  MagTarget.

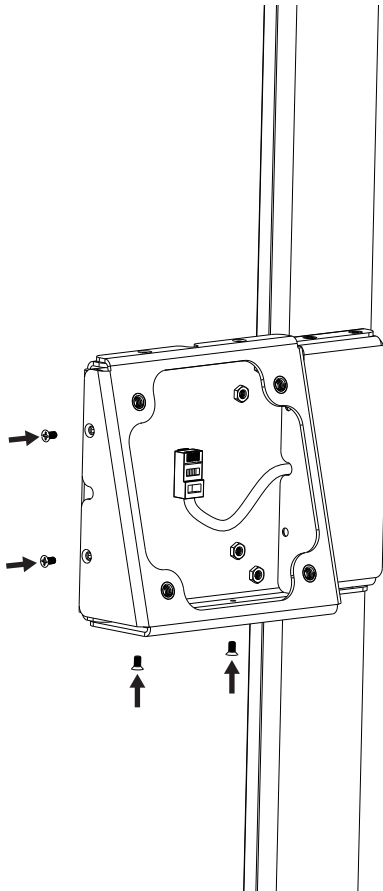
Step 5: To get ready to install the VisualTarget enclosure, one or two of the M3 screw can be screwed into the top edge of the bracket for making one-person installation easier.



PREFERRED MOUNTING METHODS
REAR-OFFSET

Step 6:

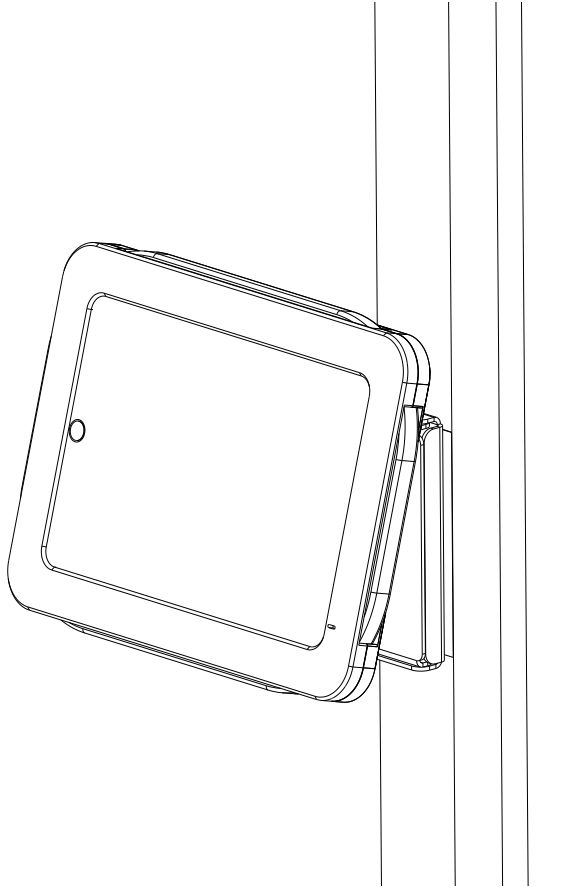
- a. Plug in the PoE cable into the port in the back of the enclosure.
- b. Slide iPad enclosure assembly onto the bracket (enclosure not shown for clarity)
- c. Ensure the iPad is receiving power. If not check if the PoE port is activated.
- d. Insert the remaining M3 fasteners to secure the enclosure in place.



VisualTarget

BY  MagTarget.

This complete the installation of the MagTarget VisualTarget enclosure (rear-offset).



Lighted VisualTarget Enclosure is shown here, but other types of enclosures can be installed using the same methods.

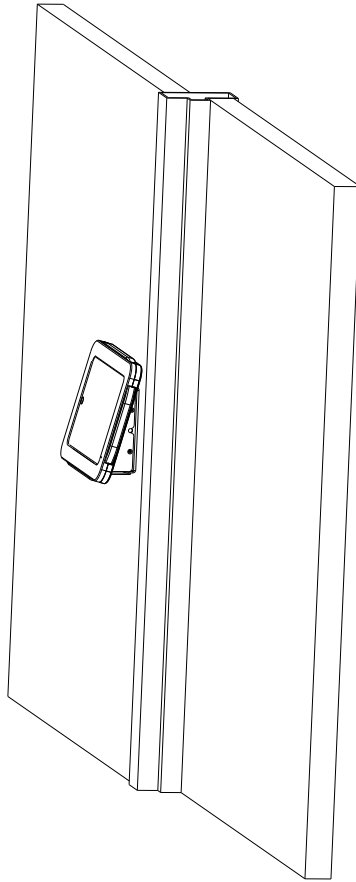
5

PREFERRED MOUNTING METHODS
SURFACE MOUNT

VisualTarget

BY  MagTarget.

The instructions below highlight our recommended installation method for the VisualTarget Surface Mount.

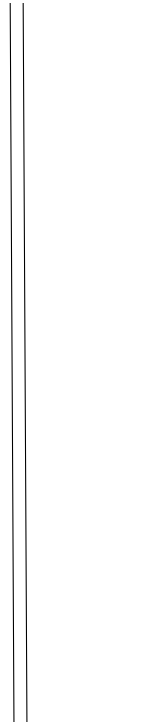
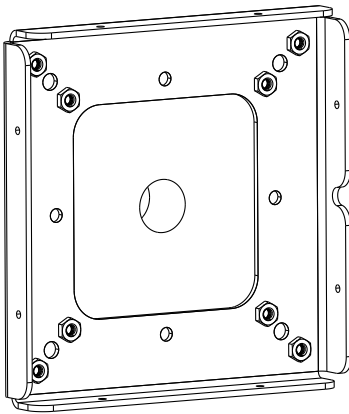


PREFERRED MOUNTING METHODS
SURFACE MOUNT

INSTALLATION STEPS

Step 1: Temporarily hold the Surface Mount at the desired location and height, and mark the selected holes.

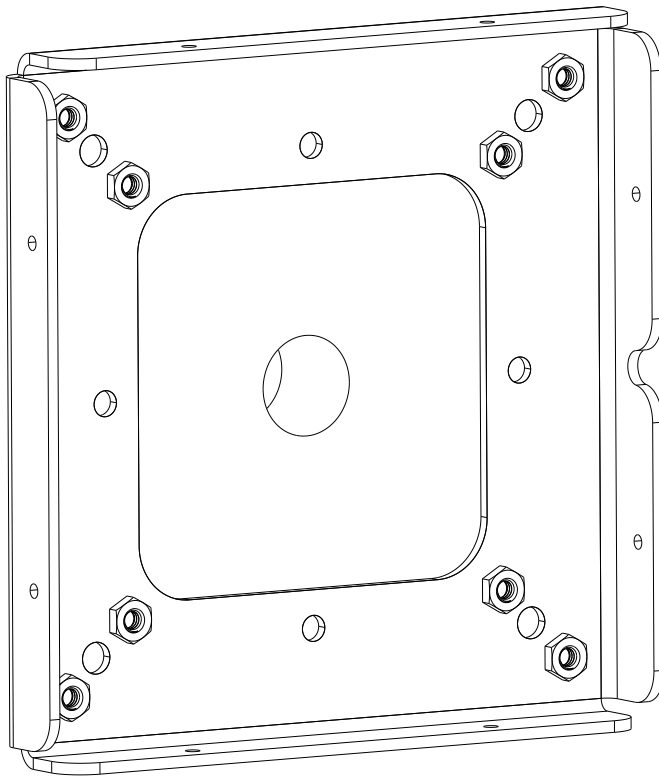
*****Check local regulation to see if any rules apply to the height of the enclosure. In the USA the Americans with Disability Act (ADA) asks for a maximum reach height of 48 inches*****



VisualTarget

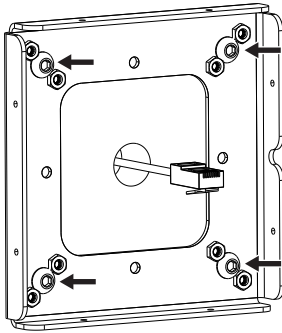
BY  MagTarget.

The inner holes of the Surface Mount highlighted in green below are spaced to fit standard electrical outlet boxes used in North America. For a secure installation we recommend using additional fasteners in the additional holes provided.

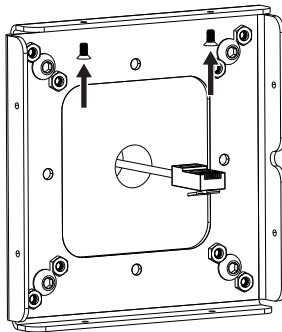


PREFERRED MOUNTING METHODS SURFACE MOUNT

Step 2: Drill hole into mounting surface and install the bracket. Make sure to use fasteners which correspond with the type of mounting surface (use screw anchors if needed). Route the PoE cable through the center of the bracket and terminate cable at the same time.



Step 3: To get ready to install the VisualTarget enclosure, one or two of the M3 screw can be screwed into the top edge of the bracket for making one-person installation easier.

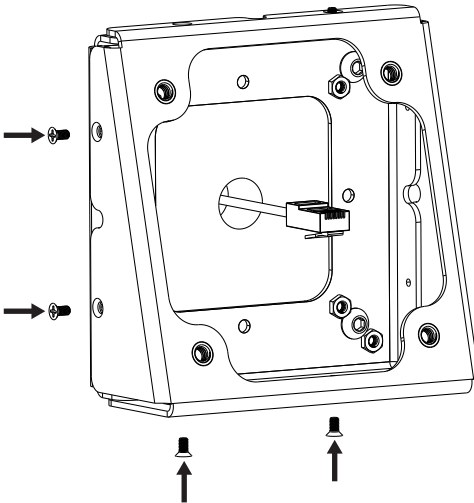


VisualTarget

BY  MagTarget.

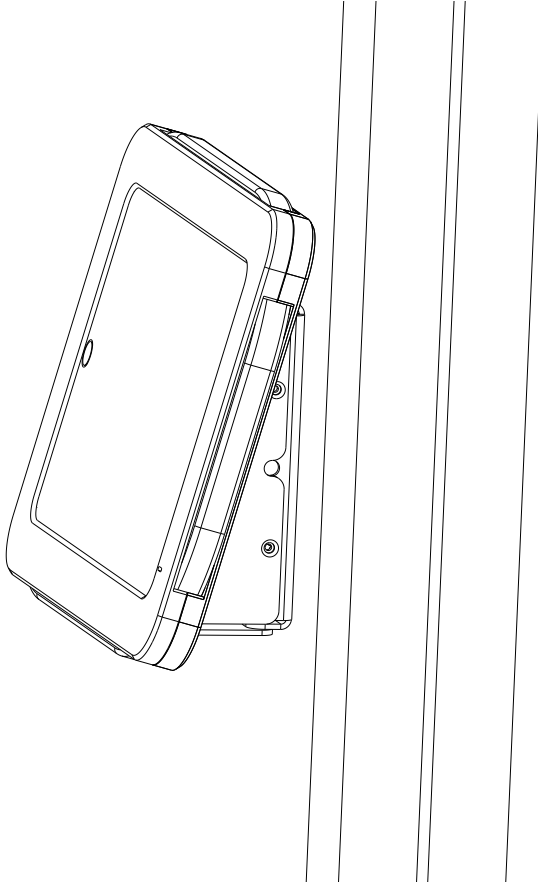
Step 4:

- Plug in the PoE cable into the port in the back of the enclosure.
- Slide iPad enclosure assembly onto the bracket (enclosure not shown for clarity).
- Ensure the iPad is receiving power. If not check if the PoE port is activated.
- Insert the remaining M3 fasteners to secure the enclosure in place.



PREFERRED MOUNTING METHODS
SURFACE MOUNT

This complete the installation of the MagTarget VisualTarget enclosure (surface).



Lighted VisualTarget Enclosure is shown here, but other types of enclosures can be installed using the same methods.

6

PREFERRED MOUNTING METHODS **GLASS MOUNT**

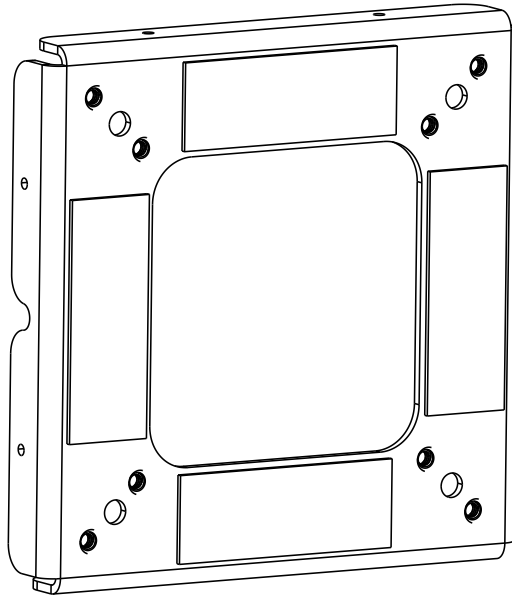
PREFERRED MOUNTING METHODS GLASS MOUNT

The instructions below highlight our recommended installation method when mounting the VisualTarget back bracket 273-0020 on the glasses.

INSTALLATION STEPS

Step 1: Use Alcohol Pad provided in the kit to wipe the glass as well as the back of the bracket before putting the VHB tapes on.

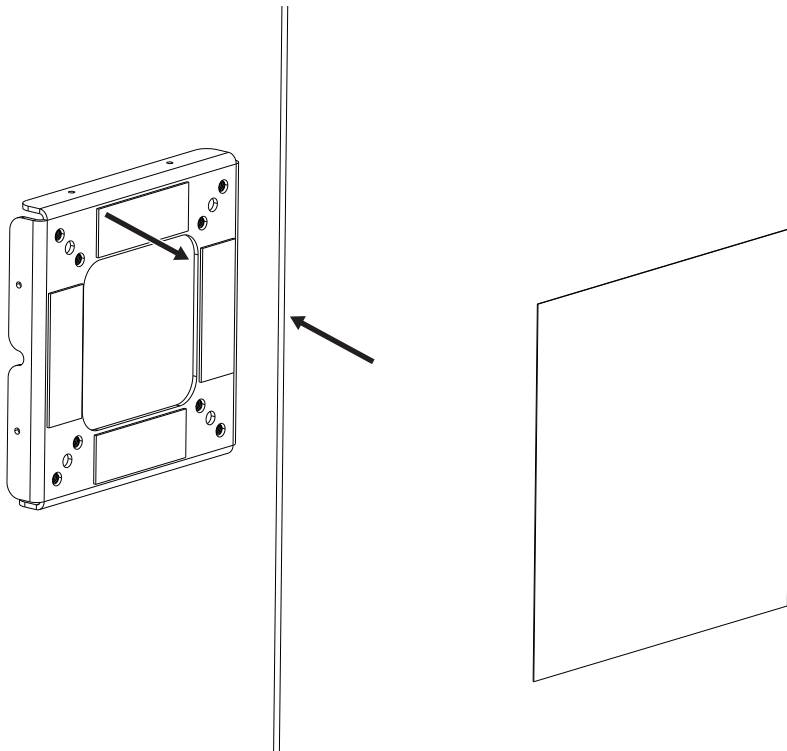
Step 2: Add four pieces 3M VHB tapes onto the right places of the bracket.



VisualTarget

BY  MagTarget.

Step 3: Place the bracket onto the glass, and add sticker to the other side of the glass inside the office for covering.





Not Working?

**Answers at:
support.magtarget.com
or
cs@magtarget.com**