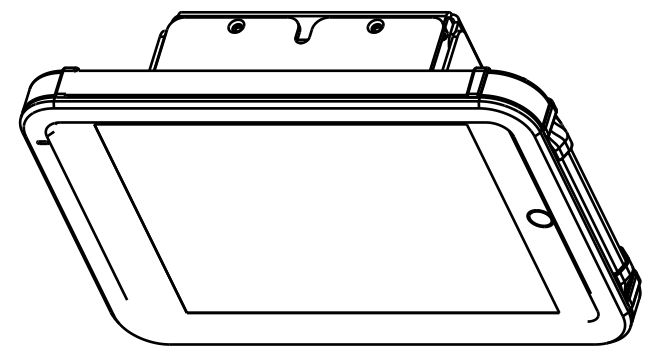
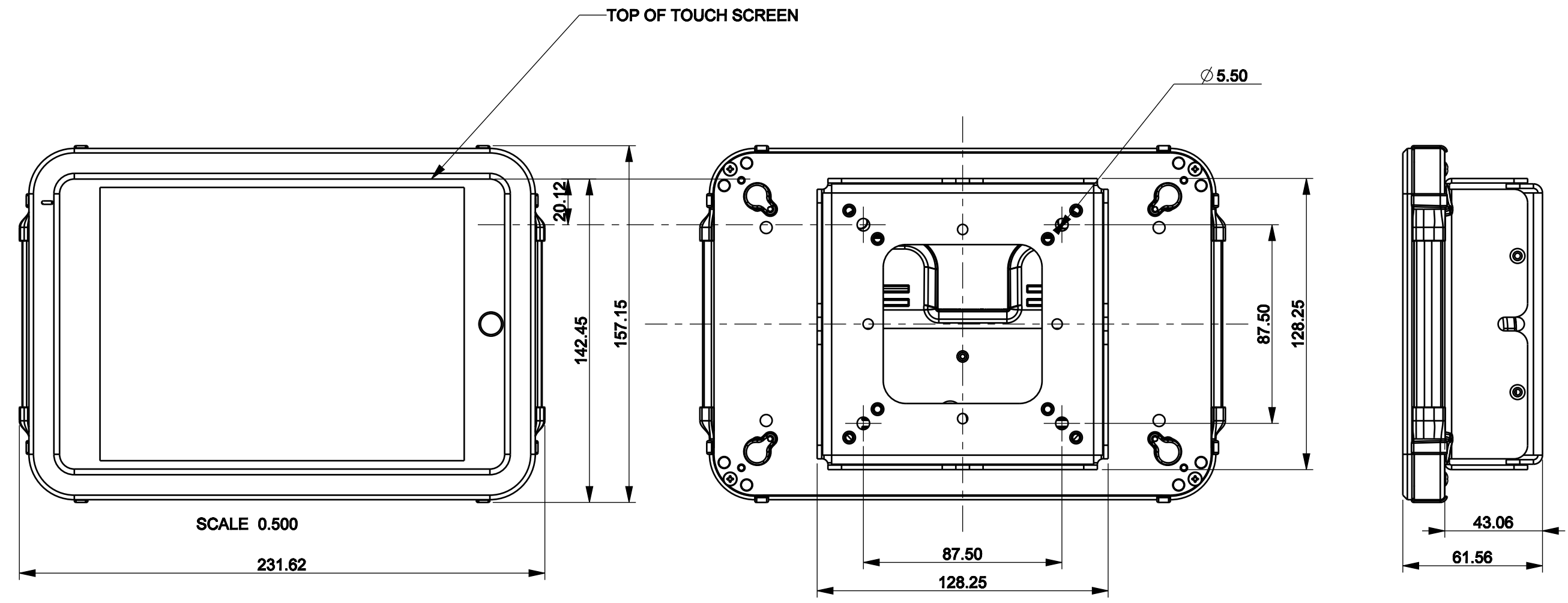


THIS DRAWING AND THE INFORMATION THEREIN ARE PROPERTY OF MAGTARGET AND SHALL NOT BE REPRODUCED, COPIED, RECORDED IN ANY MEDIA, USED FOR ANY OTHER PURPOSE OR DELIVERED AND/OR DISCLOSED TO ANY THIRD PARTY WITHOUT WRITTEN CONSENT OF MAGTARGET.

REVISIONS				
ZONE	REV	DESCRIPTION	DATE	APPROVED



ITEM	DESCRIPTION	PART NUMBER	QTY
2	ENCLOSURE, NEW KORNOS	577-0011-0XX	1
1	BRACKET, WALL-MOUNT,	273-0020	1

UNLESS OTHERWISE SPECIFIED DIMENSIONS ARE IN MM. TOLERANCES ARE: MILLIMETERS ANGLE X± 1.0 MM ± 0.5° X± 0.60 MM XX± 0.25 MM NOTE: XXX± 0.125 MM INCHES-1MM25.4		- DO NOT SCALE DRAWING -	
APPROVALS		DATE	
DRAWN BY			
CHECKED			
ENGINEER			
MATERIAL			
REMOVE ALL BURRS & SHARP CORNERS			

MagTarget

**VISUALTARGET, IPAD MINI, LIGHTED
0 DEGREE, SURFACE MOUNT**

SIZE B	MODEL NUMBER	DWG NO. 577-0011-0XX_SURF-MNT	REV
MASS 1.229	SCALE 0.333	SHEET SHEET 1 OF 1	

D

D

C

B

A

4

3

2

1

4

3

2

1