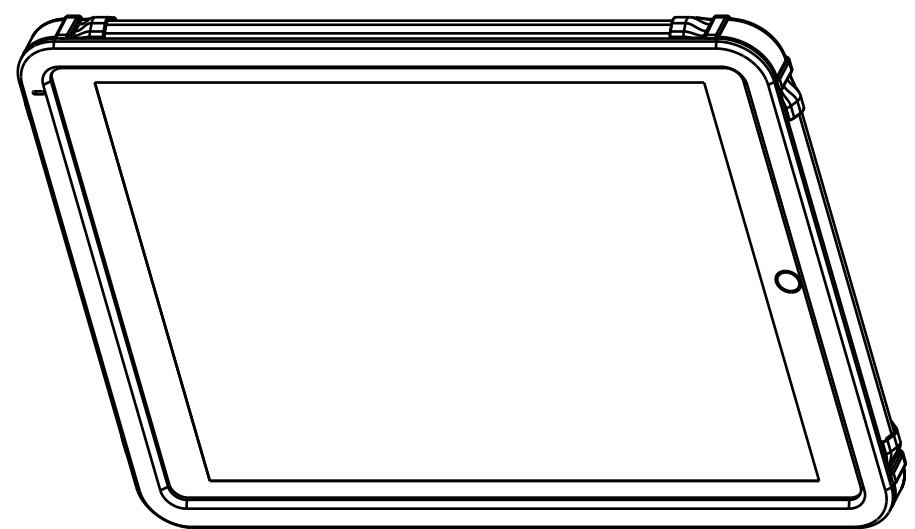
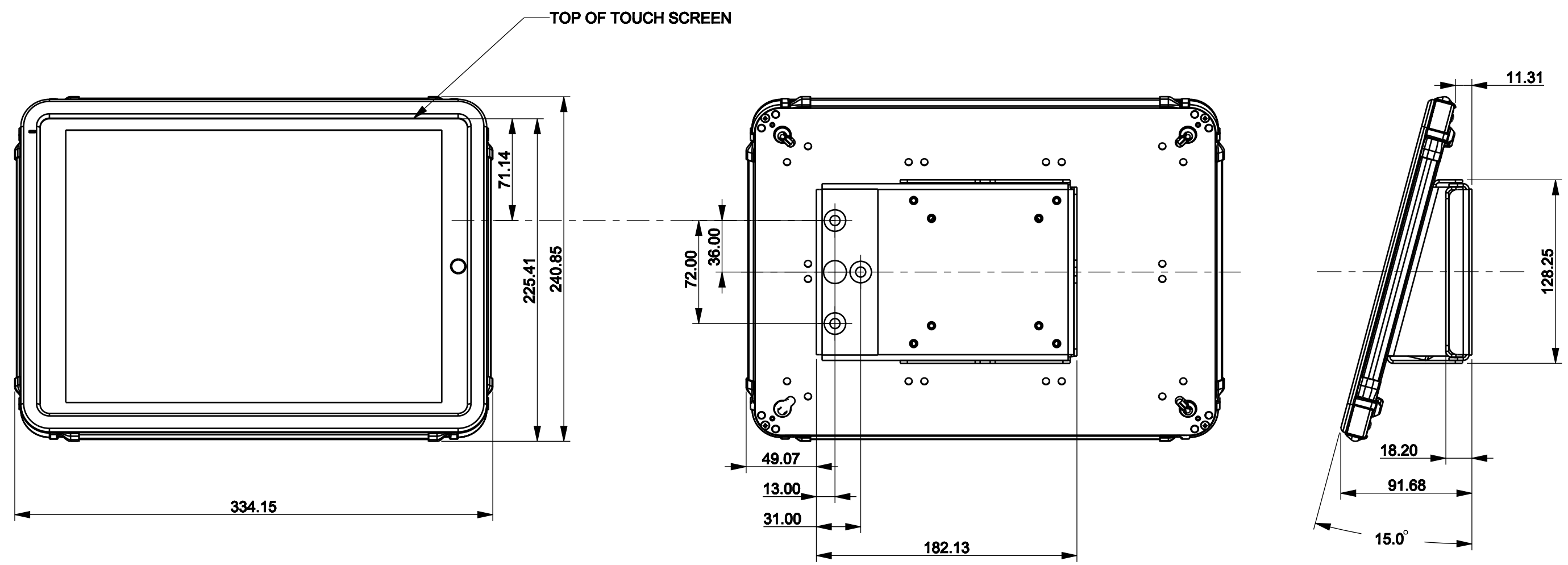


THIS DRAWING AND THE INFORMATION THEREIN ARE PROPERTY OF MAGTARGET AND SHALL NOT BE REPRODUCED, COPIED, RECORDED IN ANY MEDIA, USED FOR ANY OTHER PURPOSE OR DELIVERED AND/OR DISCLOSED TO ANY THIRD PARTY WITHOUT WRITTEN CONSENT OF MAGTARGET.

REVISIONS				
ZONE	REV	DESCRIPTION	DATE	APPROVED



2	SUB-ASSEMBLY, IPAD PRO, LIGHTED, 15 DEGREE	579-1111-1XX	1
1	BRACKET, REAR-OFFSET, W COVER/PAD	273-0041	1
ITEM	DESCRIPTION	PART NUMBER	QTY

<p>UNLESS OTHERWISE SPECIFIED DIMENSIONS ARE IN MM. TOLERANCES ARE: MILLIMETERS ANGLE X± 1.0 MM ± 0.5° X± 0.60 MM XX± 0.25 MM NOTE: XXX± 0.125 MM INCHES-1MM25.4</p>		<p>- DO NOT SCALE DRAWING -</p>			
<p>APPROVALS</p> <p>DRAWN BY</p> <p>CHECKED</p> <p>ENGINEER</p>		<p>DATE</p>			
<p>FINISH</p> <p>MATERIAL</p> <p>REMOVE ALL BURRS &amp; SHARP CORNERS ✓</p>		<p>SIZE <b>B</b></p> <p>MODEL NUMBER</p> <p>MASS 2.211</p>		<p>DWG NO. 579-1111-1XX_REAROFF</p> <p>SCALE 0.091</p> <p>SHEET SHEET 1 OF 1</p>	

4 SCALE 0.333