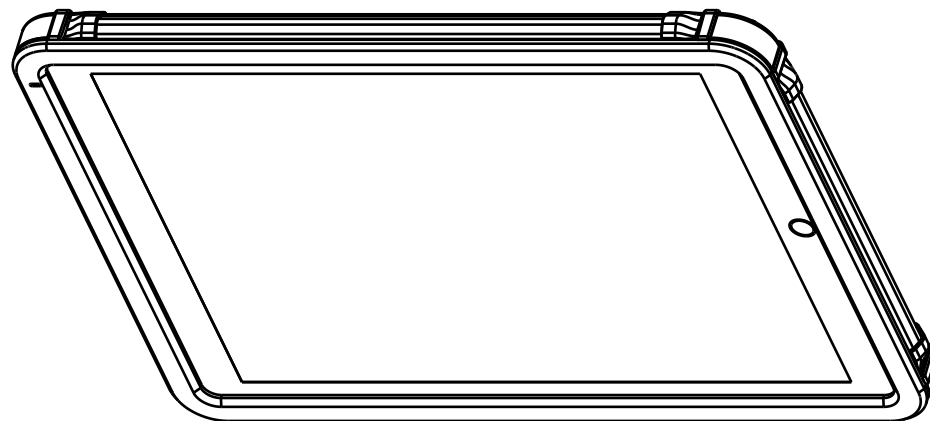
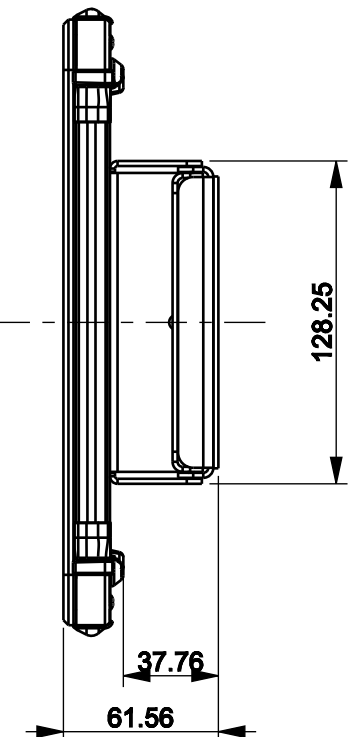
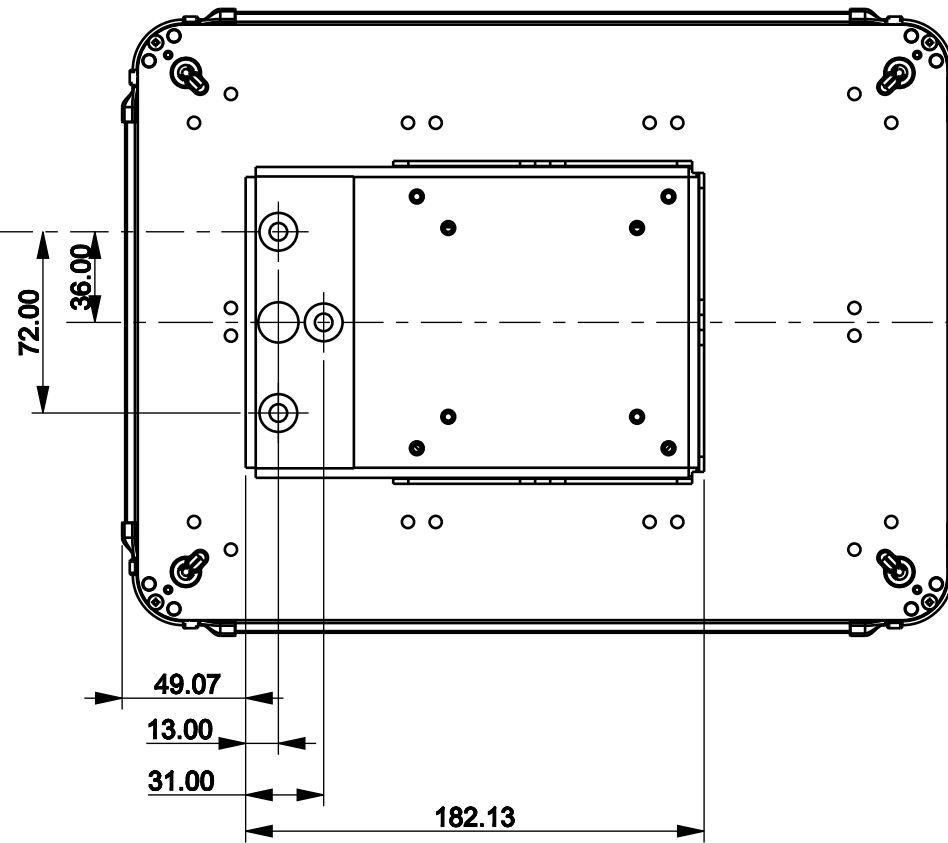
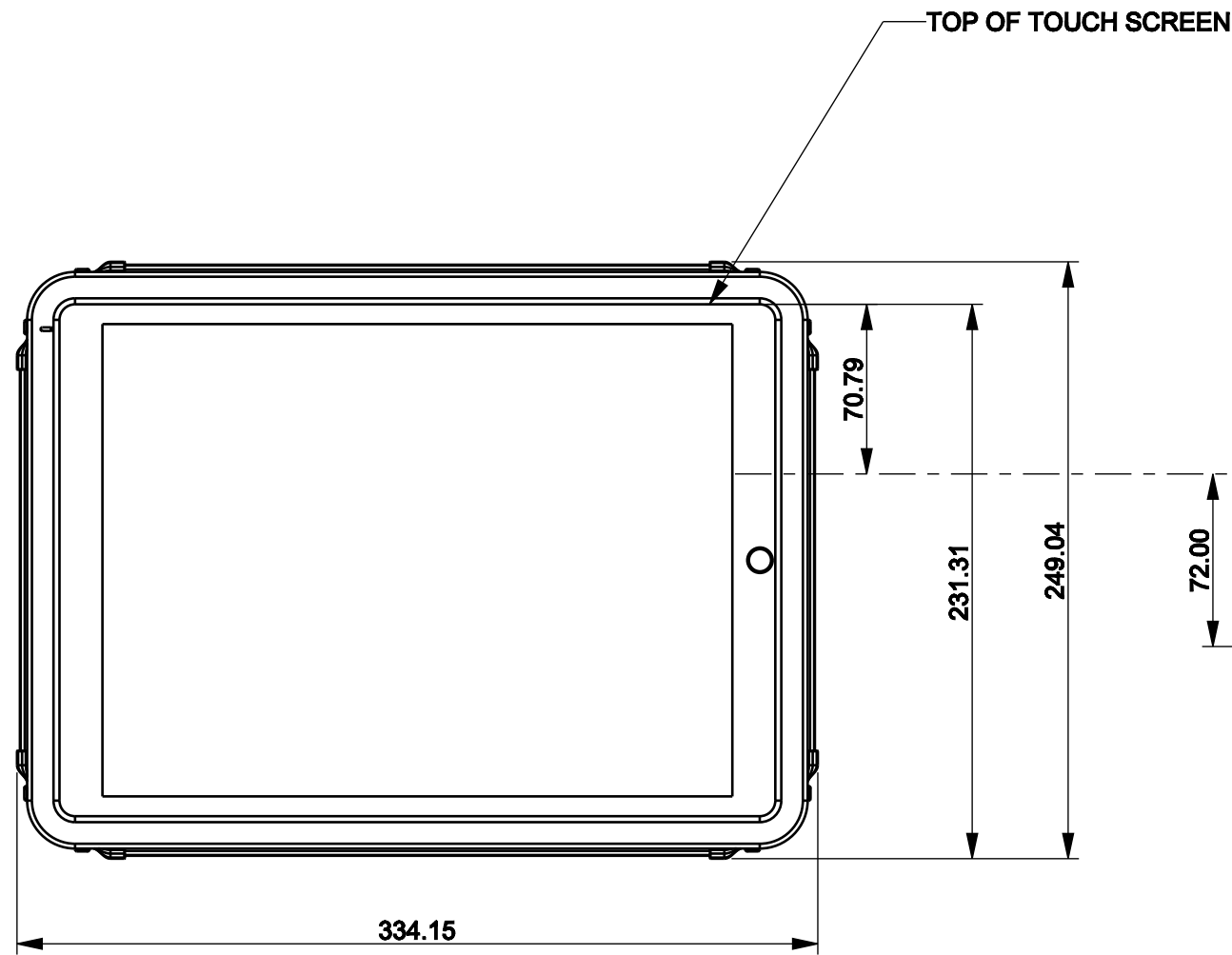


THIS DRAWING AND THE INFORMATION THEREIN ARE PROPERTY OF MAGTARGET AND SHALL NOT BE REPRODUCED, COPIED, RECORDED IN ANY MEDIA, USED FOR ANY OTHER PURPOSE OR DELIVERED AND/OR DISCLOSED TO ANY THIRD PARTY WITHOUT WRITTEN CONSENT OF MAGTARGET.

REVISIONS				
ZONE	REV	DESCRIPTION	DATE	APPROVED



ITEM	DESCRIPTION	PART NUMBER	QTY
2	SUB-ASSEMBLY, IPAD PRO, LIGHTED, 0 DEGREE	579-1111-0XX	1
1	BRACKET, REAR-OFFSET, W COVER/PAD	273-0041	1

UNLESS OTHERWISE SPECIFIED DIMENSIONS ARE IN MM. TOLERANCES ARE:		- DO NOT SCALE DRAWING -	
MILLIMETERS	ANGLES	APPROVALS	DATE
X: ± 1.0 MM	± 0.5°	DRAWN BY	
Y: ± 0.60 MM		CHECKED	
XY: ± 0.25 MM	NOTE: INCHES-MM25.4	ENGINEER	
XXX: ± 0.125 MM		MATERIAL	
FINISH		REMOVE ALL BURRS & SHARP CORNERS	

MagTarget			
VISUALTARGET, IPAD PRO, LIGHTED, 0 DEGREE, REAR OFFSET MOUNT			
SIZE	MODEL NUMBER	DWG NO.	REV
B		579-1111-0XX_REAROFF	
MASS	SCALE	SHEET	SHEET 1 OF 1
2.210	0.111		