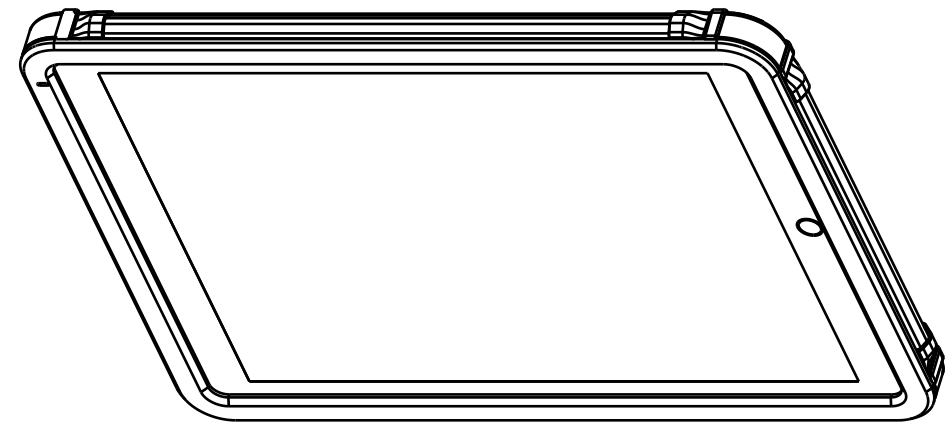
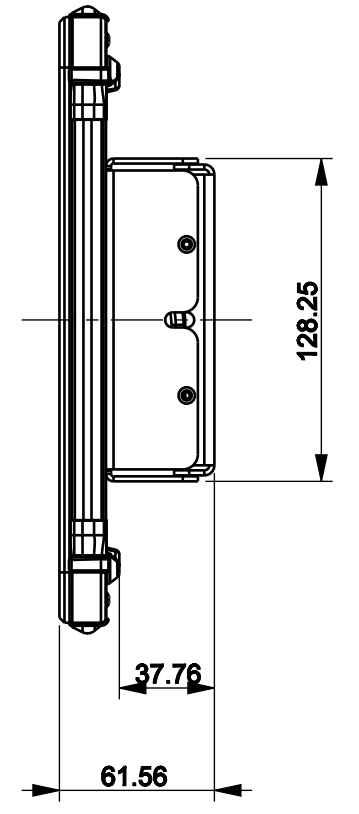
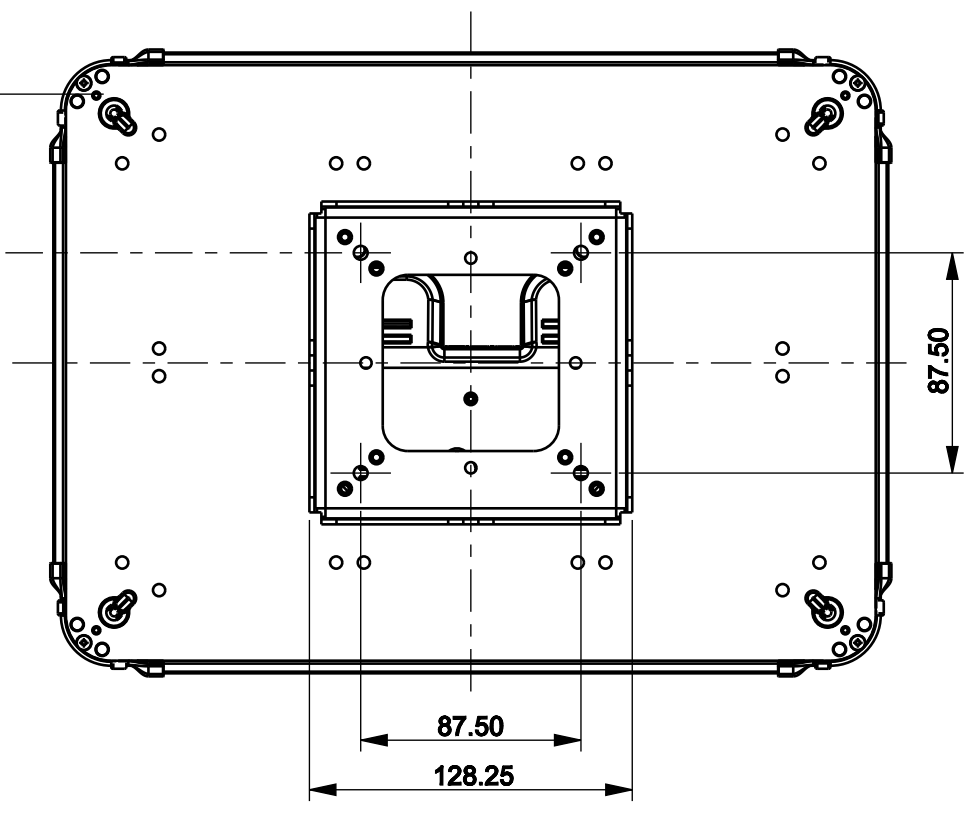
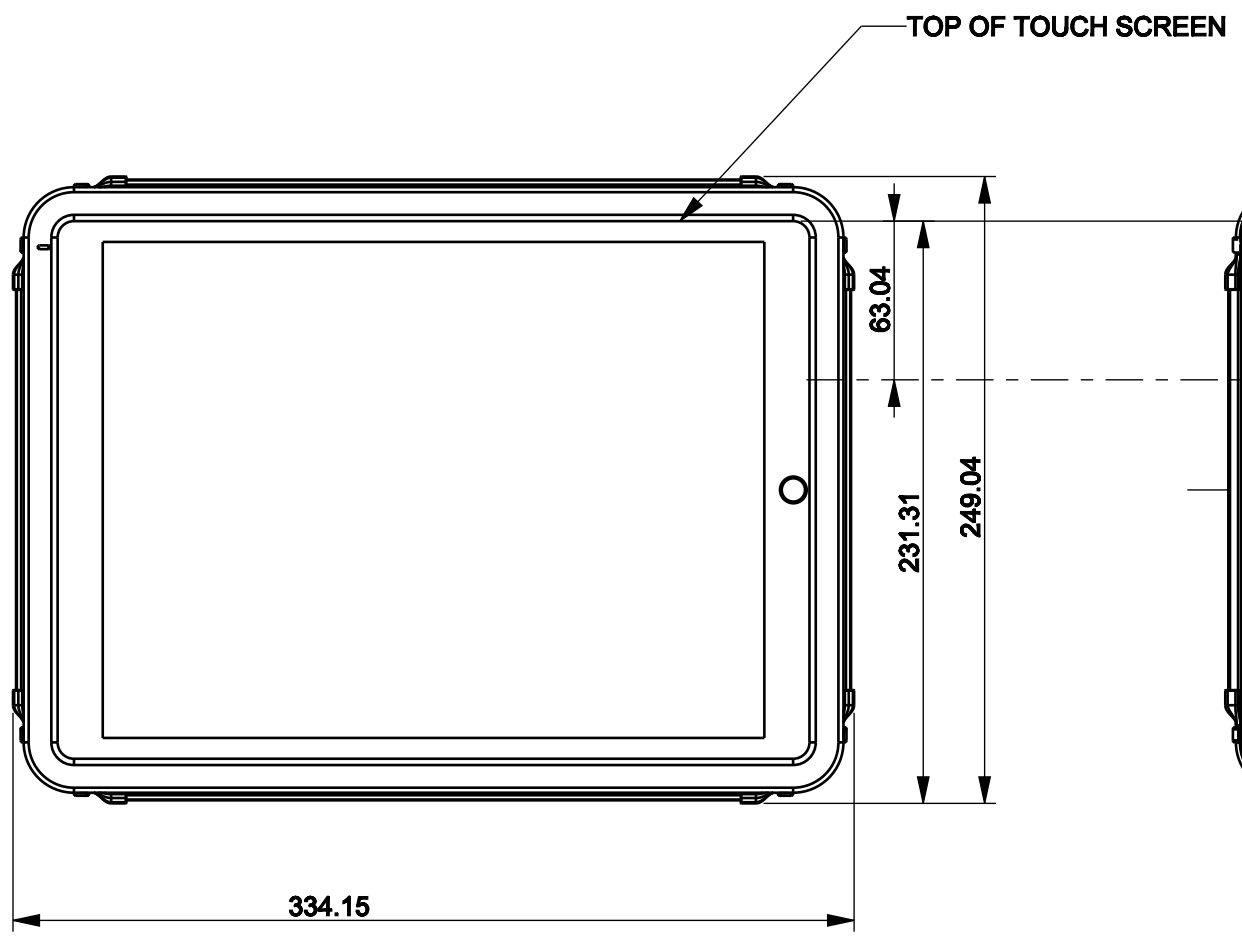


THIS DRAWING AND THE INFORMATION THEREIN ARE PROPERTY OF MAGTARGET AND SHALL NOT BE REPRODUCED, COPIED, RECORDED IN ANY MEDIA, USED FOR ANY OTHER PURPOSE OR DELIVERED AND/OR DISCLOSED TO ANY THIRD PARTY WITHOUT WRITTEN CONSENT OF MAGTARGET.

REVISIONS				
ZONE	REV	DESCRIPTION	DATE	APPROVED



ITEM	DESCRIPTION	PART NUMBER	QTY
2	SUB-ASSEMBLY, IPAD PRO, LIGHTED, 0 DEGREE	579-1111-0XX	1
1	BRACKET, WALL-MOUNT,	273-0020	1

UNLESS OTHERWISE SPECIFIED DIMENSIONS ARE IN MM. TOLERANCES ARE: MILLIMETERS ANGLE X:± 1.0 MM ± 0.5° Y:± 0.60 MM XX:± 0.25 MM XXX:± 0.125 MM		- DO NOT SCALE DRAWING -	
APPROVALS		DATE	
DRAWN BY			
CHECKED			
ENGINEER			
MATERIAL			
REMOVE ALL BURRS & SHARP CORNERS			

**MagTarget**

**VISUALTARGET, IPAD PRO, LIGHTED,  
0 DEGREE, SURFACE MOUNT**

SIZE <b>B</b>	MODEL NUMBER	DWG NO. 579-1111-0XX_SURF	REV
MASS 2.248	SCALE 0.250	SHEET SHEET 1 OF 1	

D

D

C

B

A

4

3

2

1

4

3

2

1