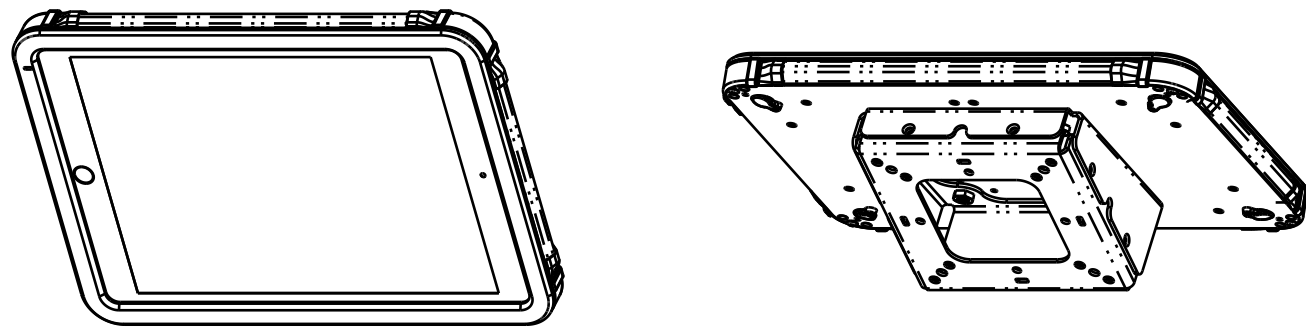
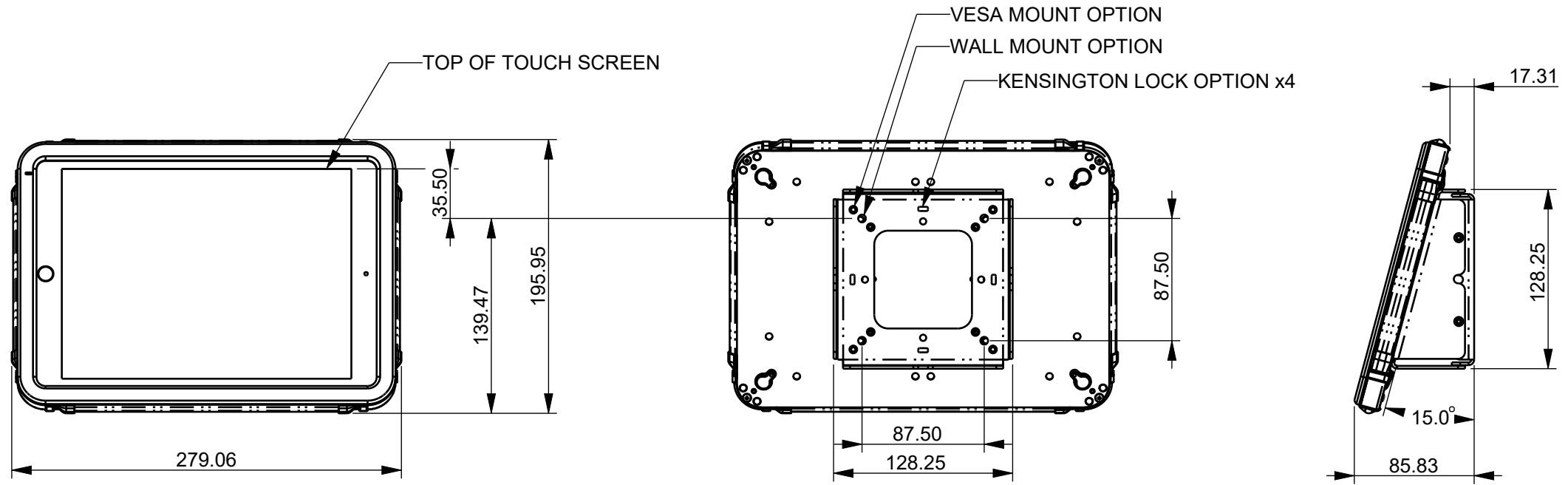


THIS DRAWING AND THE INFORMATION THEREIN ARE PROPERTY OF MAGTARGET AND SHALL NOT BE REPRODUCED, COPIED, RECORDED IN ANY MEDIA, USED FOR ANY OTHER PURPOSE OR DELIVERED AND/OR DISCLOSED TO ANY THIRD PARTY WITHOUT WRITTEN CONSENT OF MAGTARGET.

REVISIONS				
ZONE	REV	DESCRIPTION	DATE	APPROVED



2	VISUALTARGET ,10.2" IPAD, 4 LIGHTS , 15 DEGREE	589-1111-XXX	1
1	SURFACE MOUNT	273-0048	1
ITEM	DESCRIPTION	PART NUMBER	QTY

UNLESS OTHERWISE SPECIFIED DIMENSIONS ARE IN MM. TOLERANCES ARE: MILLIMETERS ANGLES X± 1.0 MM ± 0.5 .XX± 0.50 MM .XX± 0.25 MM .XXX± 0.125MM		- DO NOT SCALE DRAWING -			
FINISH		APPROVALS	DATE		
REMOVE ALL BURRS & SHARP CORNERS		DRAWN BY	CHECKED	VISUALTARGET 10.2" IPAD, LIGHTED 15 DEGREE, SURFACE MOUNT	
		ENGINEER			
		MATERIAL	SIZE B	MODEL NUMBER	DWG NO. 10-2_SURF_15DEG_4LIGHTS
			MASS 1.560	SCALE 0.250	REV
				SHEET	SHEET 1 OF 1

D

D

C

B

A

4

3

2

1

4

3

2

1