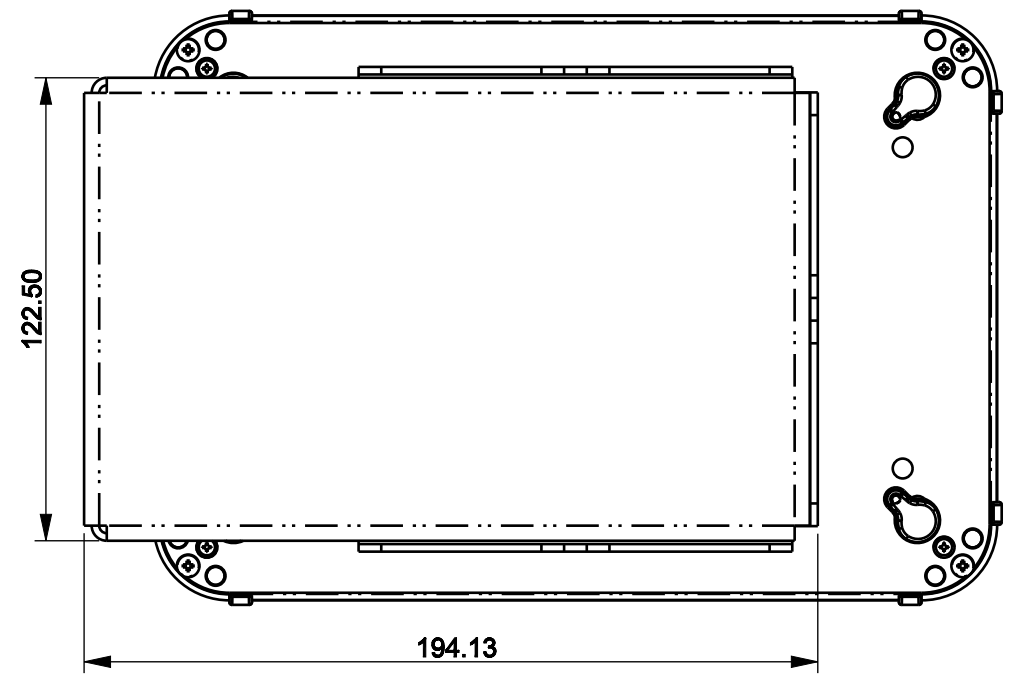
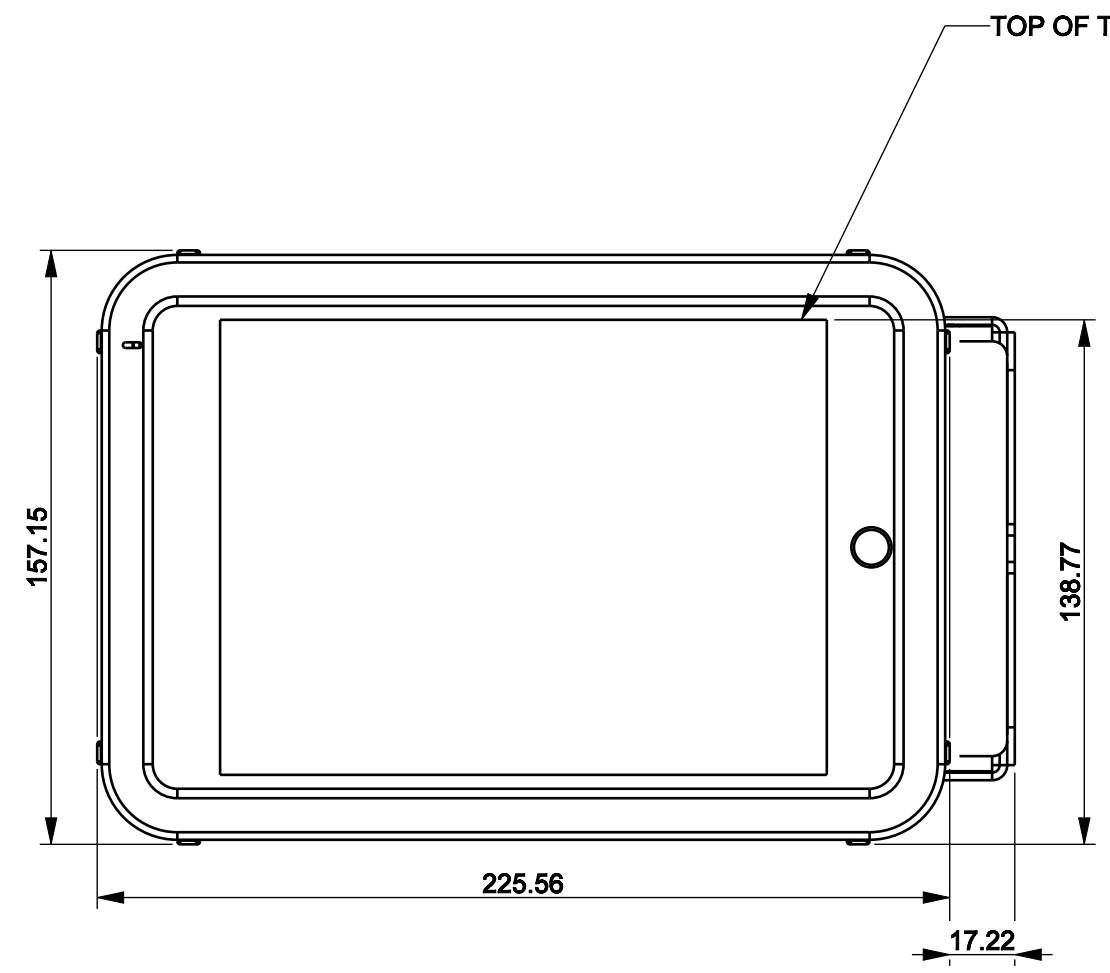
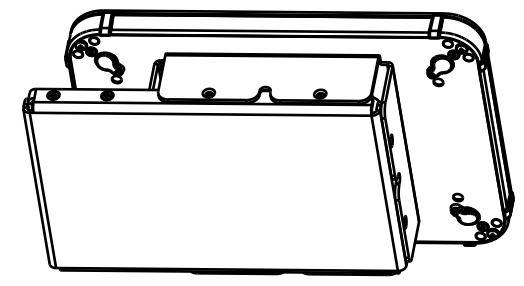
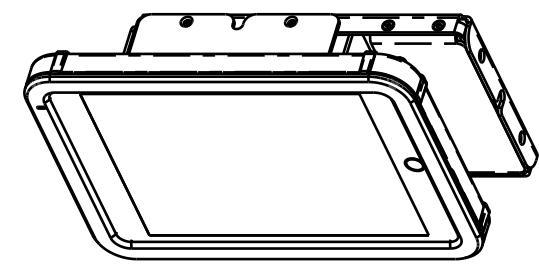
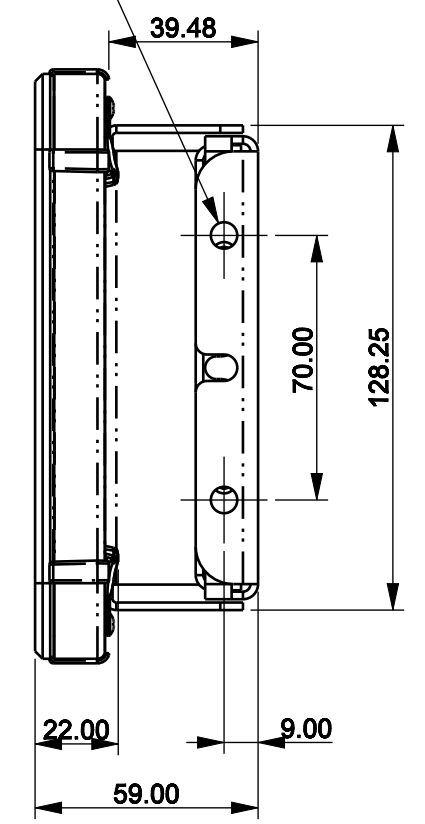


THIS DRAWING AND THE INFORMATION THEREIN ARE PROPERTY OF MAGTARGET AND SHALL NOT BE REPRODUCED, COPIED, RECORDED IN ANY MEDIA, USED FOR ANY OTHER PURPOSE OR DELIVERED AND/OR DISCLOSED TO ANY THIRD PARTY WITHOUT WRITTEN CONSENT OF MAGTARGET.

REVISIONS				
ZONE	REV	DESCRIPTION	DATE	APPROVED
			2020-06-02	



Ø 7.00 SIDE WALL MOUNTING OPTION X2



ITEM	DESCRIPTION	PART NUMBER	QTY
3	BRACKET, SIDE MULLION, W COVER	273-0040	1
2		577-SUB-ASSM	1
1		273-0028	1

UNLESS OTHERWISE SPECIFIED DIMENSIONS ARE IN MM. TOLERANCES ARE: MILLIMETERS ANGLES X ± 1.0 MM ± 0.5 .XX ± 0.50 MM .XX ± 0.25 MM NOTE: .XXX ± 0.125MM INCHES=MM/25.4	- DO NOT SCALE DRAWING -	
	APPROVALS	DATE
	DRAWN BY	
	CHECKED	
FINISH	ENGINEER	
	MATERIAL	
REMOVE ALL BURRS & SHARP CORNERS		

**MagTarget**

**VISUALTARGET 8" IPAD, NO LIGHTS  
0 DEGREE, SIDE MOUNT**

SIZE B	MODEL NUMBER	DWG NO. 577-0000-000-SIDEMOUNT	REV
MASS 1.307	SCALE 0.500	SHEET SHEET 1 OF 1	