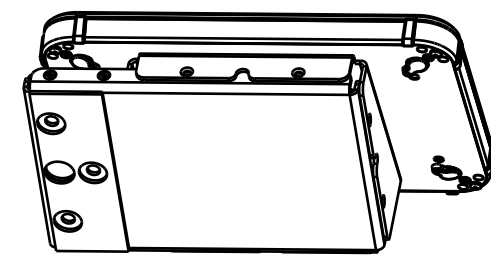
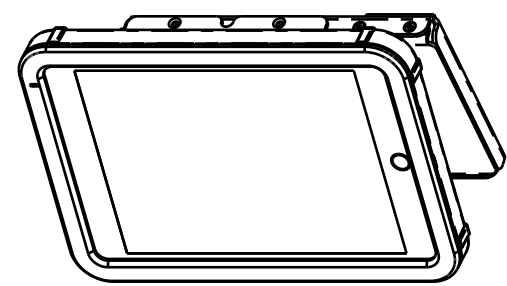
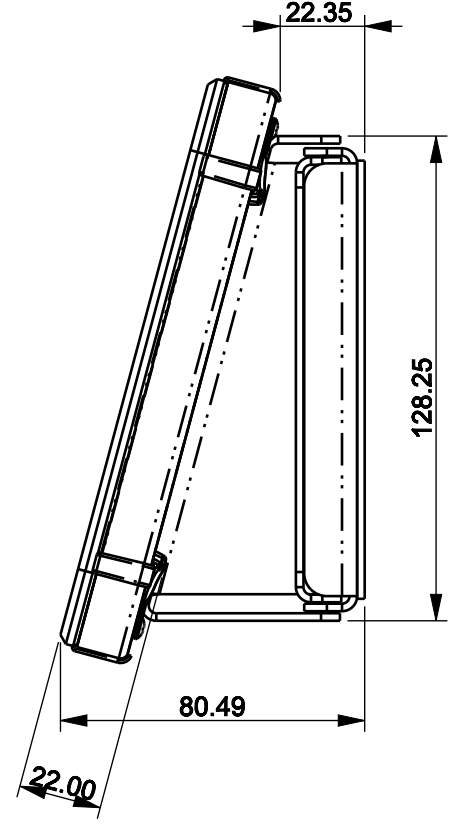
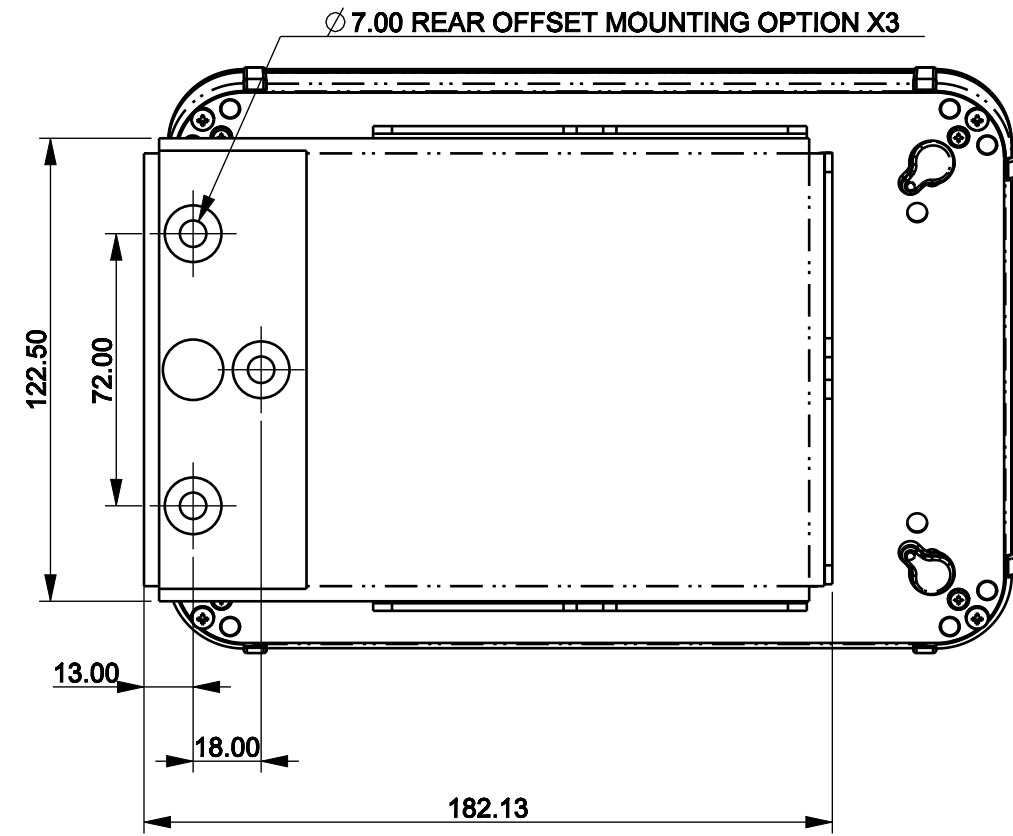
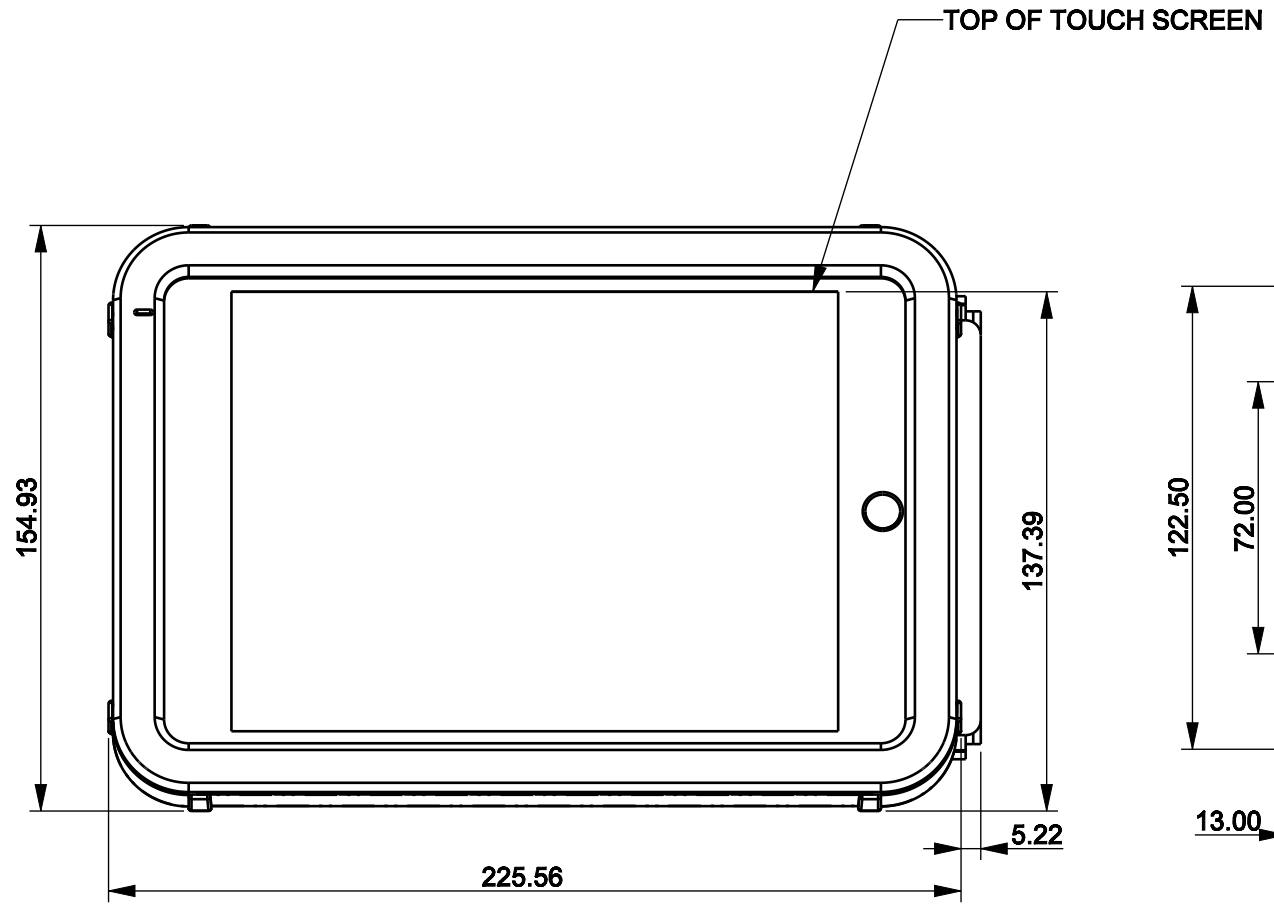


THIS DRAWING AND THE INFORMATION THEREIN ARE PROPERTY OF MAGTARGET AND SHALL NOT BE REPRODUCED, COPIED, RECORDED IN ANY MEDIA, USED FOR ANY OTHER PURPOSE OR DELIVERED AND/OR DISCLOSED TO ANY THIRD PARTY WITHOUT WRITTEN CONSENT OF MAGTARGET.

REVISIONS				
ZONE	REV	DESCRIPTION	DATE	APPROVED
			2020-06-02	



ITEM	DESCRIPTION	PART NUMBER	QTY
3	BRACKET, REAR-OFFSET,	273-0041	1
2	BRACKET, 15 DEGREES MOUNT,	273-0022-000	1
1		577-SUB-ASSM	1

UNLESS OTHERWISE SPECIFIED
DIMENSIONS ARE IN MM.
TOLERANCES ARE:
MILLIMETERS ANGLES
X ± 1.0 MM ± 0.5
.X ± 0.50 MM
.XX ± 0.25 MM NOTE:
.XXX ± 0.125MM INCHES=MM/25.4

FINISH

REMOVE ALL BURRS & SHARP CORNERS

- DO NOT SCALE DRAWING -

APPROVALS	DATE
DRAWN BY	
CHECKED	
ENGINEER	
MATERIAL	

MagTarget

**VISUALTARGET 8" IPAD, NO LIGHTS
15 DEGREE, REAROFFSET MOUNT**

SIZE B	MODEL NUMBER	DWG NO. 577-0000-100-REAROFFSET	REV
MASS 1.010	SCALE 0.500	SHEET SHEET 1 OF 2	

D

D

C

B

A

4

3

2

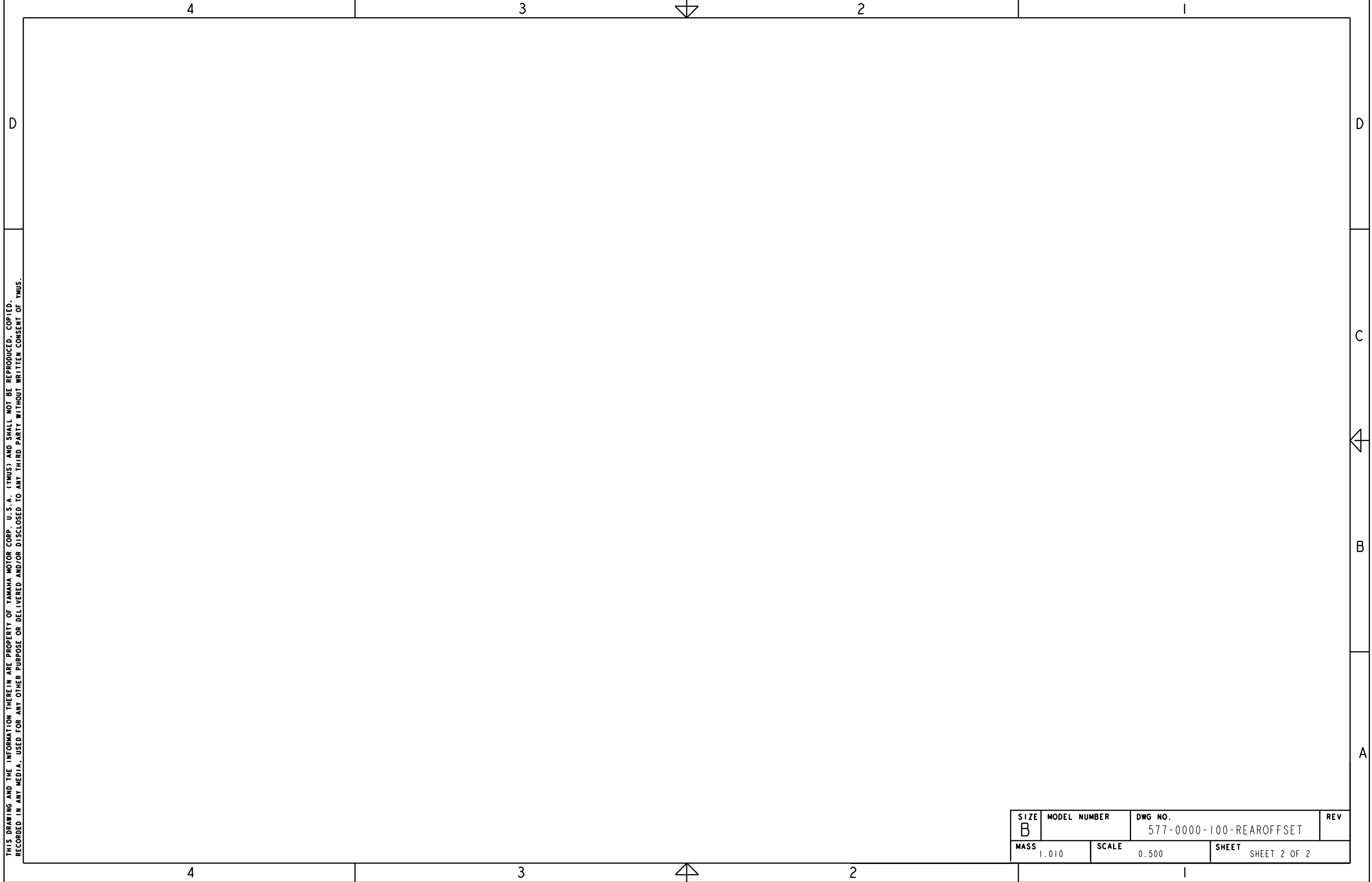
1

4

3

2

1



THIS DRAWING AND THE INFORMATION THEREIN ARE PROPERTY OF YAMAHA MOTOR CORP., U.S.A. (YMUS) AND SHALL NOT BE REPRODUCED, COPIED, RECORDED IN ANY MEDIA, USED FOR ANY OTHER PURPOSE OR DELIVERED AND/OR DISCLOSED TO ANY THIRD PARTY WITHOUT WRITTEN CONSENT OF YMUS.

SIZE B	MODEL NUMBER	DWG NO. 577-0000-100-REAROFFSET	REV
MASS 1.010	SCALE 0.500	SHEET SHEET 2 OF 2	