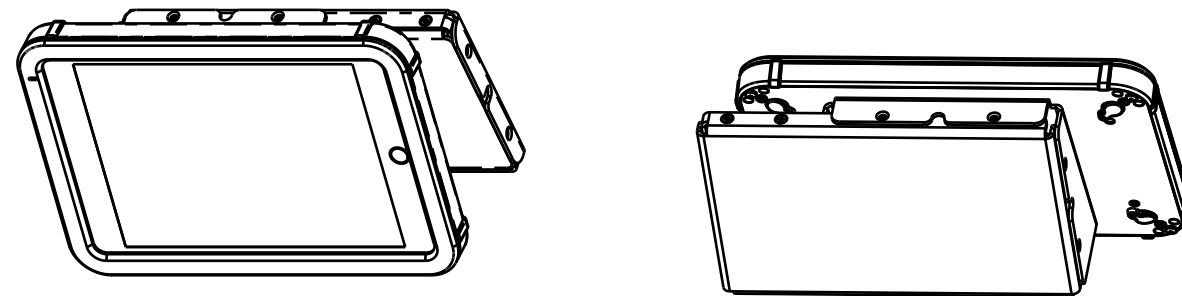
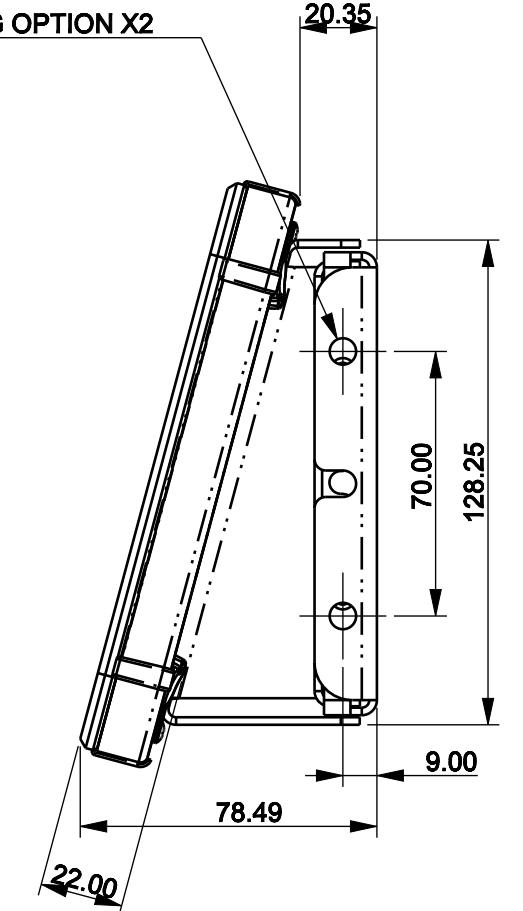
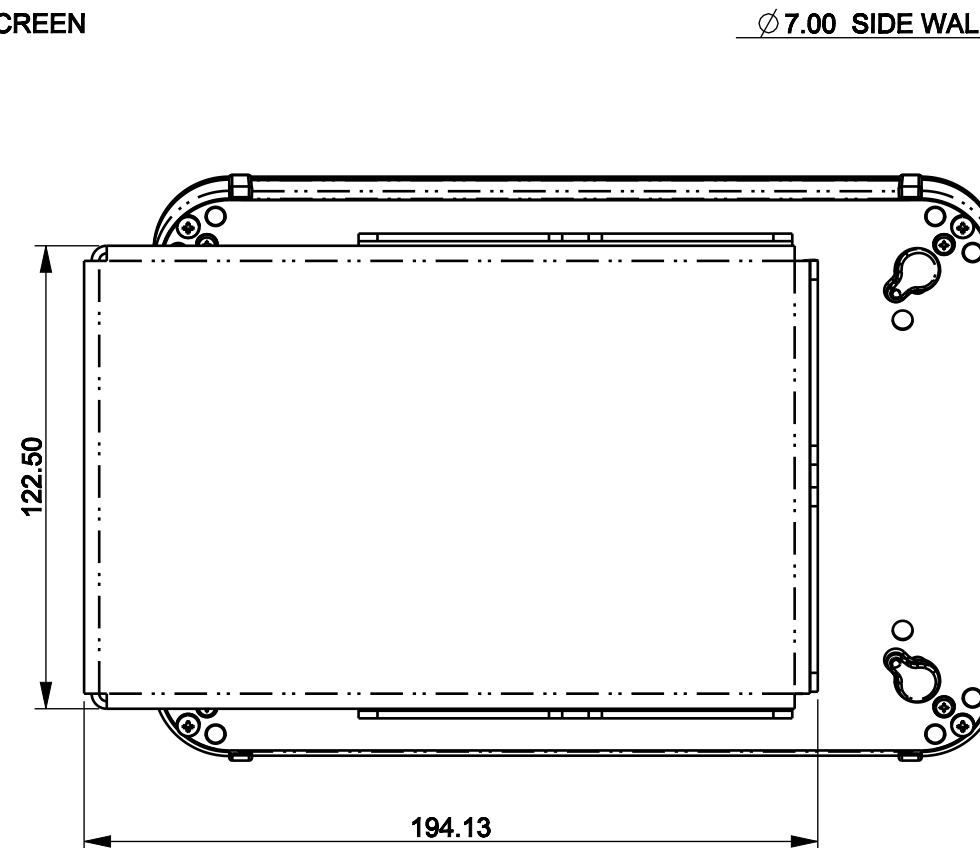
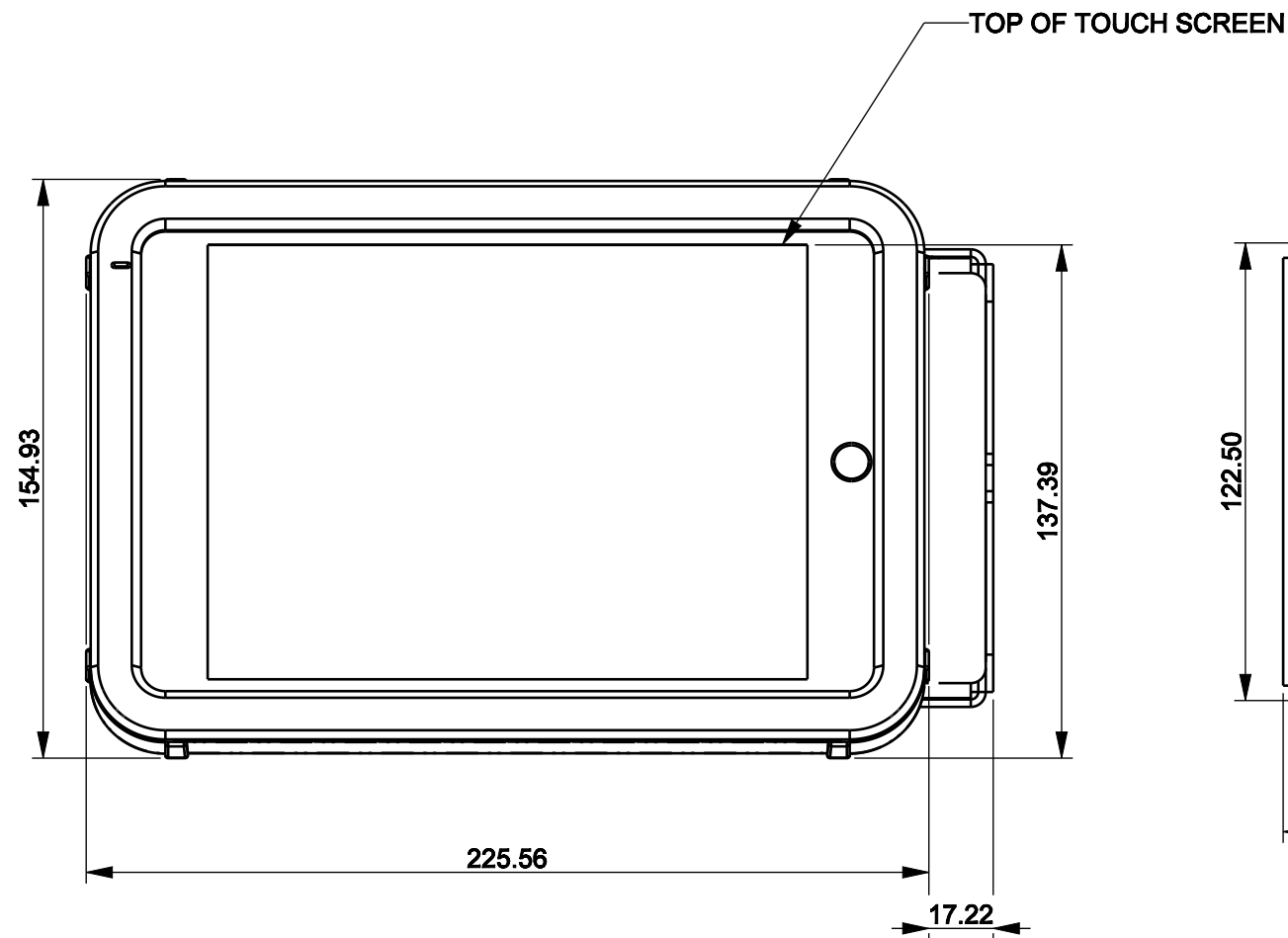


THIS DRAWING AND THE INFORMATION THEREIN ARE PROPERTY OF MAGTARGET AND SHALL NOT BE REPRODUCED, COPIED, RECORDED IN ANY MEDIA, USED FOR ANY OTHER PURPOSE OR DELIVERED AND/OR DISCLOSED TO ANY THIRD PARTY WITHOUT WRITTEN CONSENT OF MAGTARGET.

REVISIONS				
ZONE	REV	DESCRIPTION	DATE	APPROVED
			2020-06-02	



ITEM	DESCRIPTION	PART NUMBER	QTY
3	BRACKET, SIDE MULLION, W COVER	273-0040	1
2	BRACKET, 15 DEGREES MOUNT,	273-0022-000	1
1		577-SUB-ASSM	1

UNLESS OTHERWISE SPECIFIED DIMENSIONS ARE IN MM. TOLERANCES ARE: MILLIMETERS ANGLES .X ± 1.0 MM ± 0.5 .XX ± 0.50 MM .XXX ± 0.25 MM .XXX ± 0.125MM		- DO NOT SCALE DRAWING -			
FINISH		APPROVALS	DATE		
REMOVE ALL BURRS & SHARP CORNERS		DRAWN BY	CHECKED	<b>VISUALTARGET 8" IPAD, NO LIGHTS 15 DEGREE, SIDE MOUNT</b>	
		ENGINEER			
		MATERIAL		SIZE B	MODEL NUMBER
				DWG NO. 577-0000-100-SIDEMOUNT	REV
		MASS 1.308	SCALE 0.500	SHEET SHEET 1 OF 1	