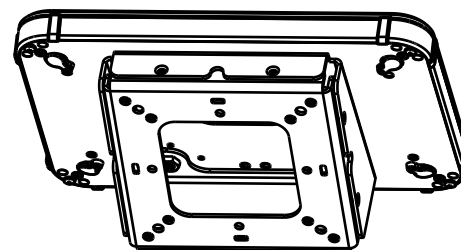
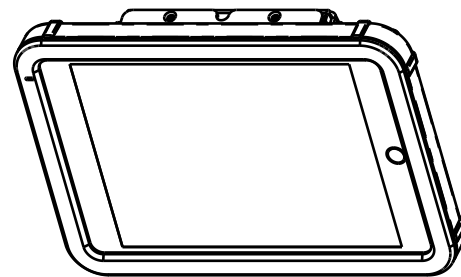
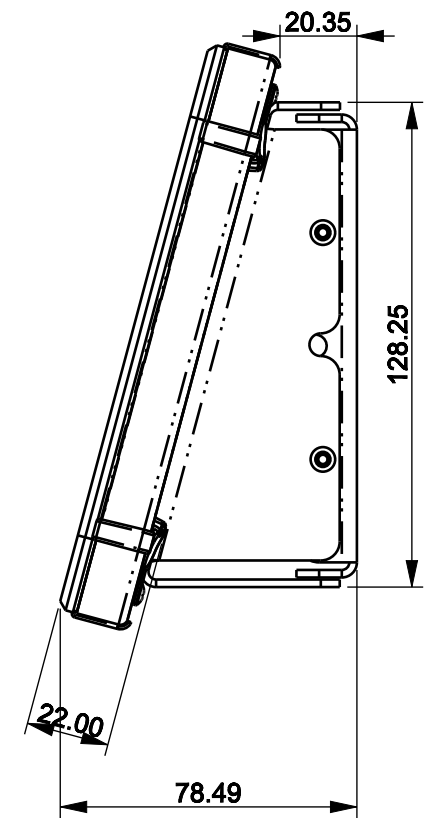
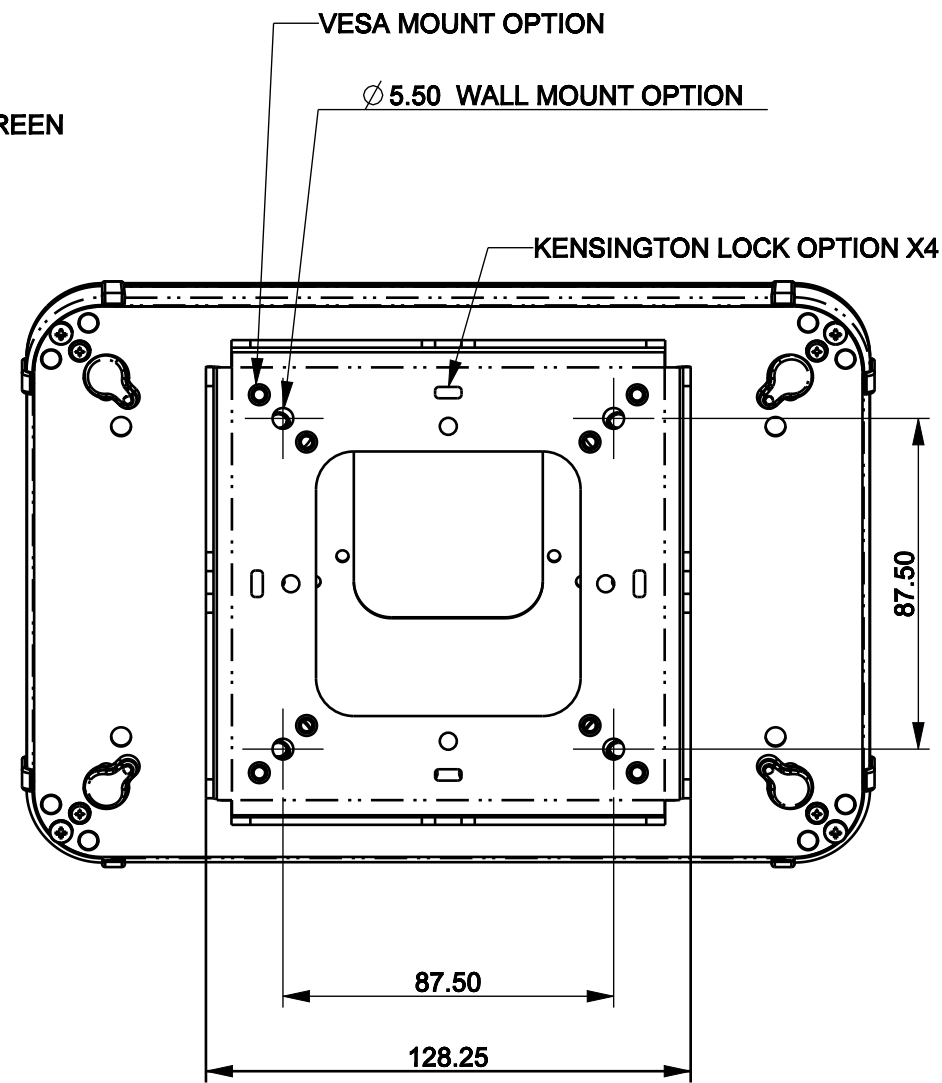
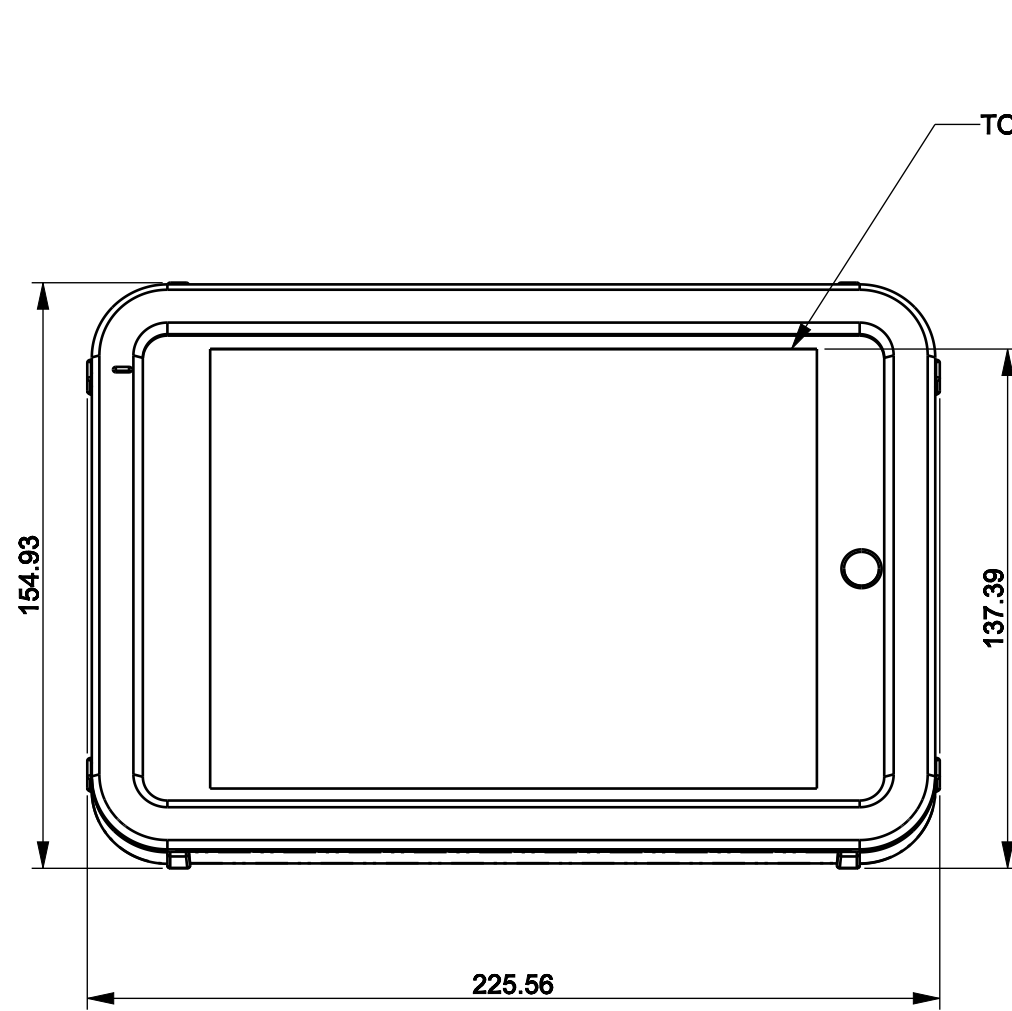


THIS DRAWING AND THE INFORMATION THEREIN ARE PROPERTY OF MAGTARGET AND SHALL NOT BE REPRODUCED, COPIED, RECORDED IN ANY MEDIA, USED FOR ANY OTHER PURPOSE OR DELIVERED AND/OR DISCLOSED TO ANY THIRD PARTY WITHOUT WRITTEN CONSENT OF MAGTARGET.

REVISIONS				
ZONE	REV	DESCRIPTION	DATE	APPROVED
			2020-06-02	



ITEM	DESCRIPTION	PART NUMBER	QTY
3	BRACKET, SURFACE-MOUNT,	273-0048	1
2	BRACKET, 15 DEGREE MOUNT,	273-0022-000	1
1		577-SUB-ASSM	1

UNLESS OTHERWISE SPECIFIED
DIMENSIONS ARE IN MM.
TOLERANCES ARE:
MILLIMETERS ANGLES
X ± 1.0 MM ± 0.5
.X ± 0.50 MM
.XX ± 0.25 MM
.XXX ± 0.125MM
NOTE:
INCHES=MM/25.4

- DO NOT SCALE DRAWING -

APPROVALS	DATE
DRAWN BY	
CHECKED	
ENGINEER	



**VISUALTARGET 8" IPAD, NO LIGHTS
15 DEGREE, SURFACE MOUNT**

FINISH	MATERIAL	SIZE B	MODEL NUMBER	DWG NO. 577-0000-100-SURFACEMOUNT	REV
REMOVE ALL BURRS & SHARP CORNERS	MASS 1.046	SCALE 0.500	SHEET SHEET 1 OF 1		