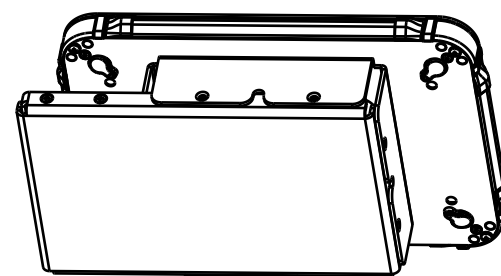
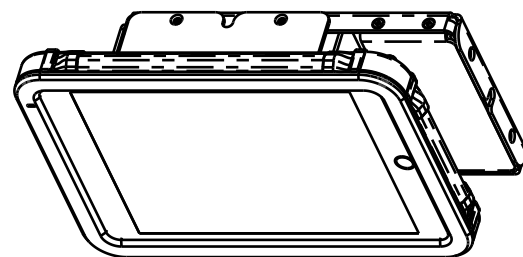
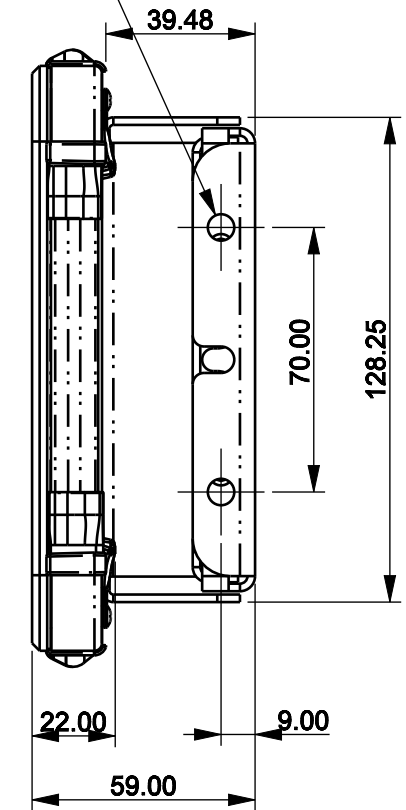
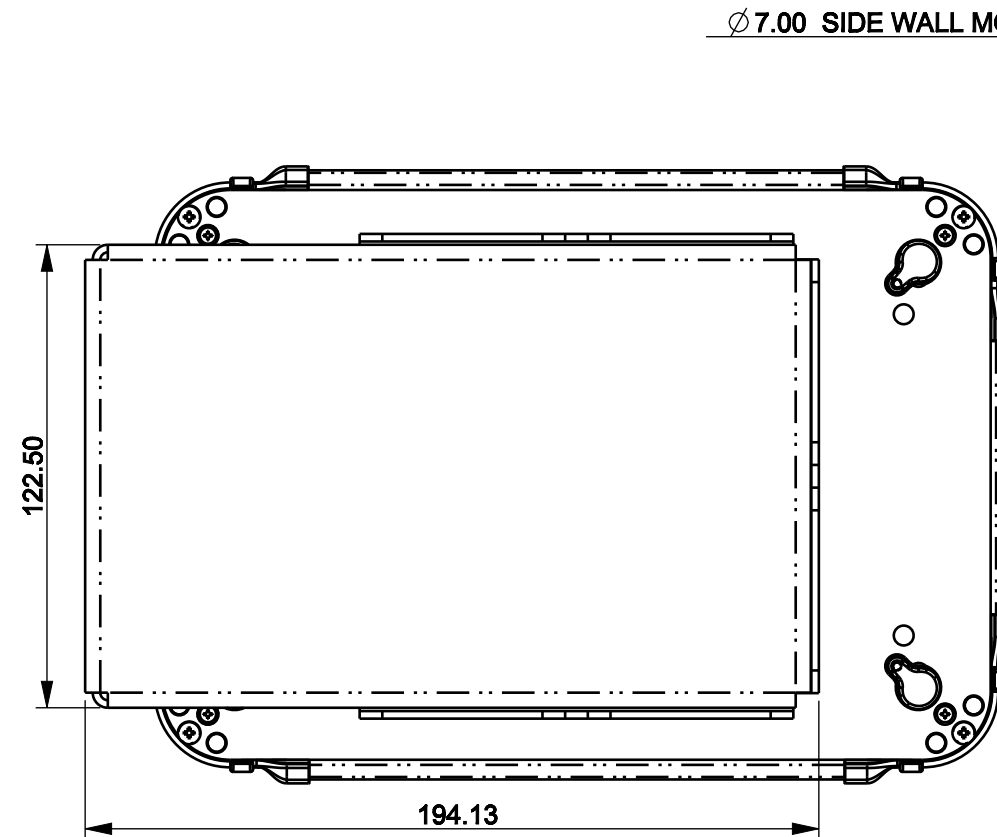
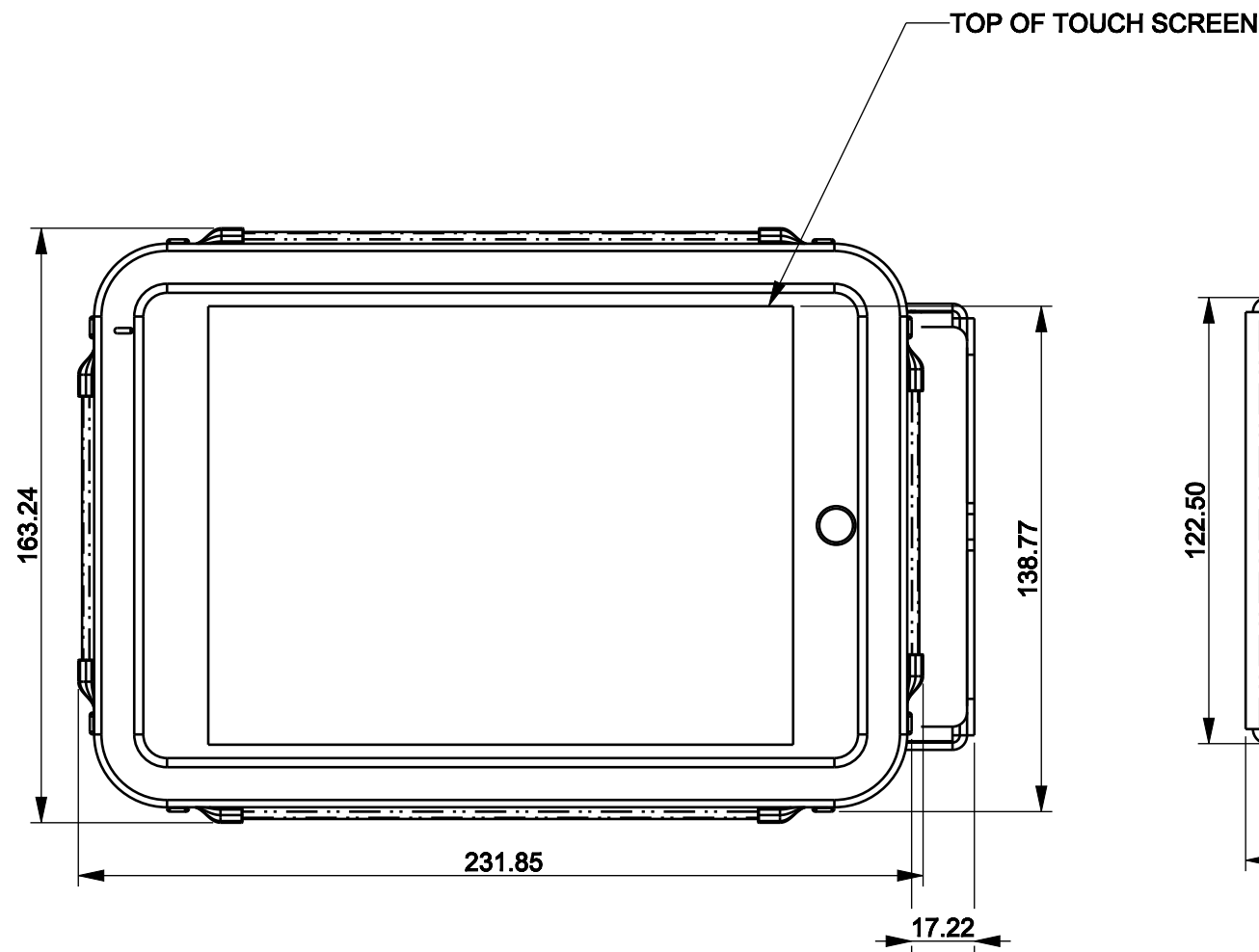


THIS DRAWING AND THE INFORMATION THEREIN ARE PROPERTY OF MAGTARGET AND SHALL NOT BE REPRODUCED, COPIED, RECORDED IN ANY MEDIA, USED FOR ANY OTHER PURPOSE OR DELIVERED AND/OR DISCLOSED TO ANY THIRD PARTY WITHOUT WRITTEN CONSENT OF MAGTARGET.

REVISIONS				
ZONE	REV	DESCRIPTION	DATE	APPROVED
			2020-06-02	



ITEM	DESCRIPTION	PART NUMBER	QTY
3	BRACKET, SIDE MULLION, W COVER	273-0040	1
2		577-SUB-ASSM	1
1		273-0028	1

UNLESS OTHERWISE SPECIFIED  
DIMENSIONS ARE IN MM.  
TOLERANCES ARE:  
MILLIMETERS ANGLES  
X ± 1.0 MM ± 0.5  
.XX ± 0.50 MM  
.XXX ± 0.25 MM NOTE:  
.XXX ± 0.125MM INCHES=MM/25.4

- DO NOT SCALE DRAWING -

APPROVALS	DATE
DRAWN BY	
CHECKED	
ENGINEER	



**VISUALTARGET 8" IPAD, 4 LIGHTS  
0 DEGREE, SIDE MOUNT**

FINISH	MATERIAL	SIZE B	MODEL NUMBER	DWG NO. 577-1111-000-SIDEMOUNT	REV
REMOVE ALL BURRS & SHARP CORNERS	MASS 1.313	SCALE 0.500	SHEET SHEET 1 OF 1		