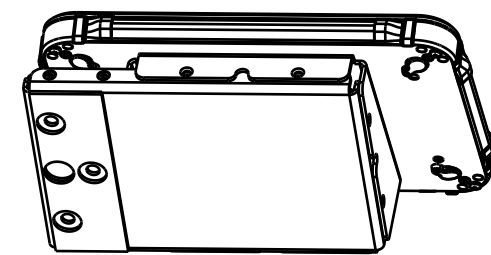
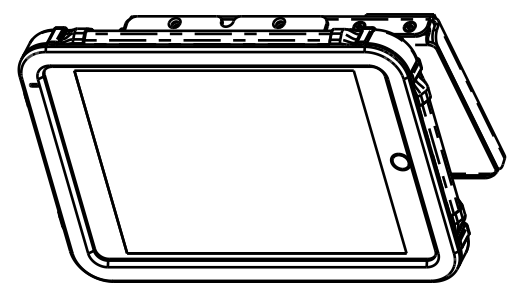
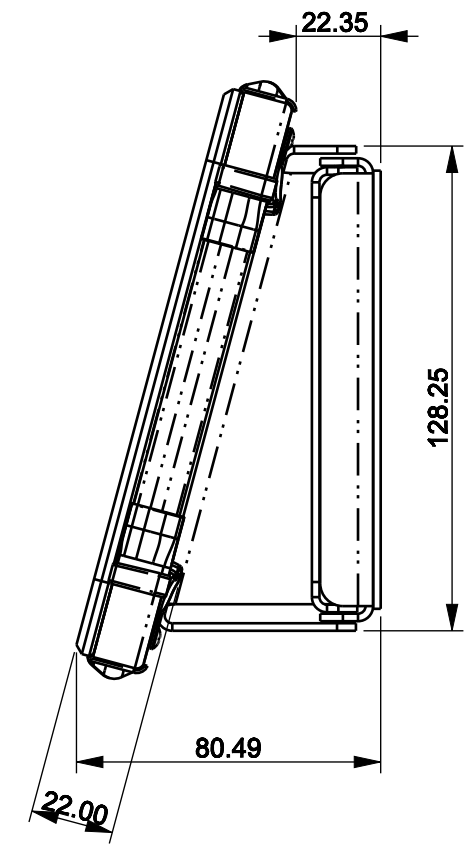
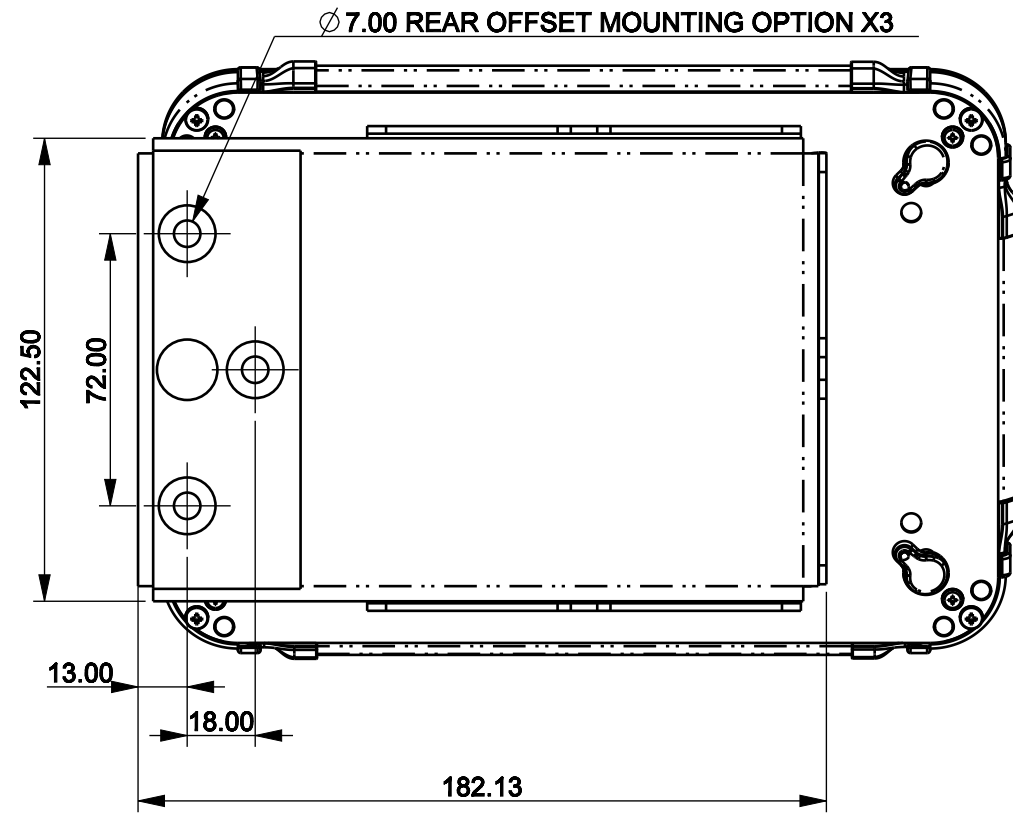
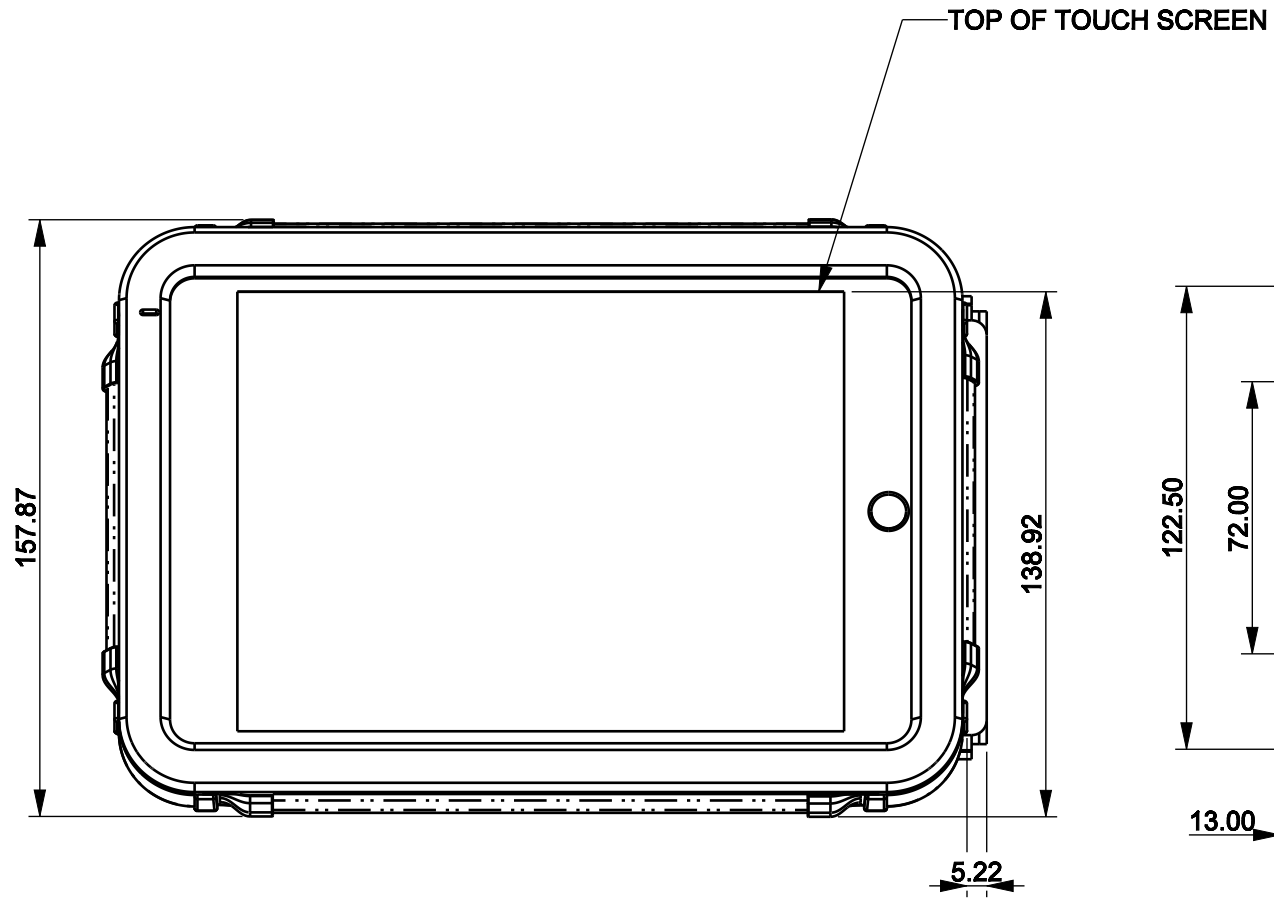


THIS DRAWING AND THE INFORMATION THEREIN ARE PROPERTY OF MAGTARGET AND SHALL NOT BE REPRODUCED, COPIED, RECORDED IN ANY MEDIA, USED FOR ANY OTHER PURPOSE OR DELIVERED AND/OR DISCLOSED TO ANY THIRD PARTY WITHOUT WRITTEN CONSENT OF MAGTARGET.

REVISIONS				
ZONE	REV	DESCRIPTION	DATE	APPROVED
			2020-06-02	



ITEM	DESCRIPTION	PART NUMBER	QTY
3	BRACKET, REAR-OFFSET,	273-0041	1
2	BRACKET, 15 DEGREES MOUNT,	273-0022-000	1
1		577-SUB-ASSM	1

UNLESS OTHERWISE SPECIFIED DIMENSIONS ARE IN MM. TOLERANCES ARE: MILLIMETERS ANGLES X ± 1.0 MM ± 0.5 .X ± 0.50 MM .XX ± 0.25 MM .XXX ± 0.125MM NOTE: INCHES=MM/25.4	- DO NOT SCALE DRAWING -	
	APPROVALS	DATE
	DRAWN BY	
	CHECKED	
FINISH	ENGINEER	
	MATERIAL	
REMOVE ALL BURRS & SHARP CORNERS	SIZE	MODEL NUMBER
	B	
	MASS	SCALE
	1.015	0.500

MagTarget

**VISUALTARGET 8" IPAD, 4 LIGHTS
15 DEGREE, REAROFFSET MOUNT**

DWG NO.	REV
577-1111-100-REAROFFSET	
SHEET	SHEET 1 OF 2

D

D

C

B

A

4

3

2

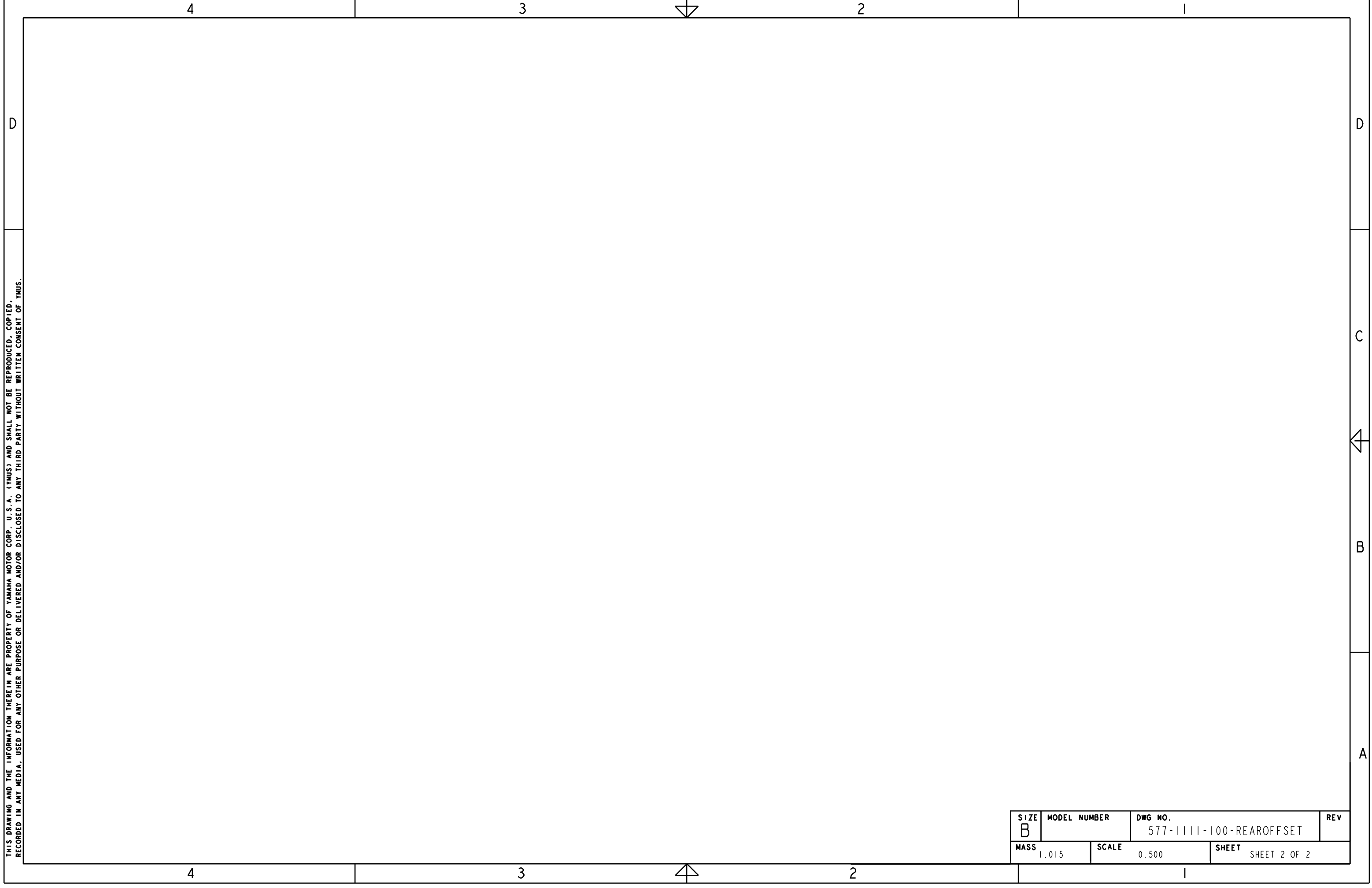
1

4

3

2

1



THIS DRAWING AND THE INFORMATION THEREIN ARE PROPERTY OF YAMAHA MOTOR CORP. U.S.A. (YMUS) AND SHALL NOT BE REPRODUCED, COPIED, RECORDED IN ANY MEDIA, USED FOR ANY OTHER PURPOSE OR DELIVERED AND/OR DISCLOSED TO ANY THIRD PARTY WITHOUT WRITTEN CONSENT OF YMUS.

SIZE B	MODEL NUMBER	DWG NO. 577-1111-100-REAROFFSET	REV
MASS 1.015	SCALE 0.500	SHEET SHEET 2 OF 2	