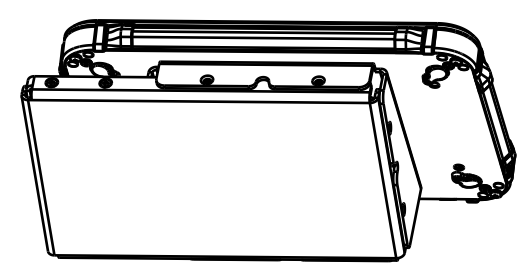
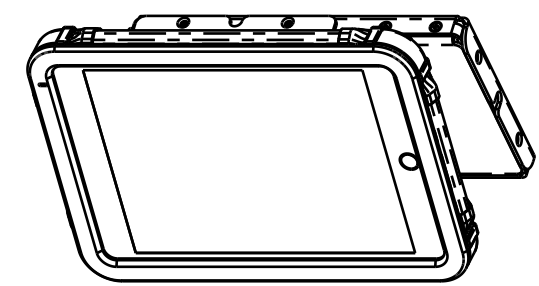
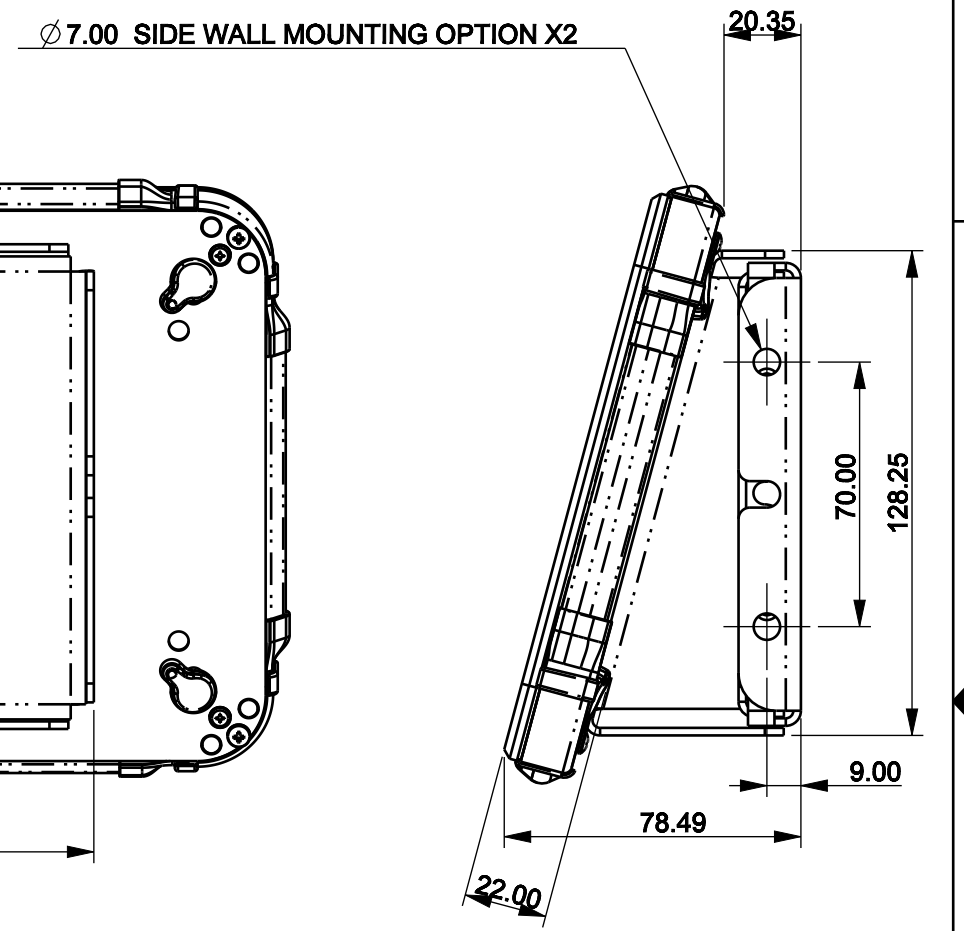
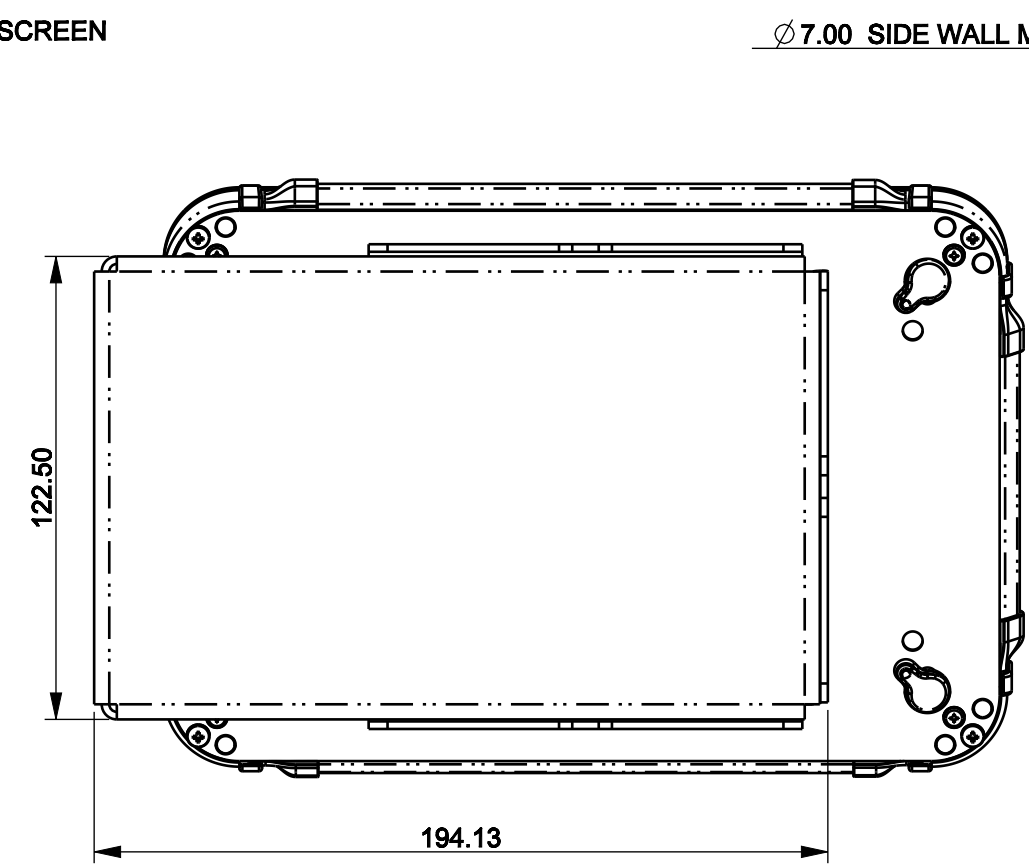
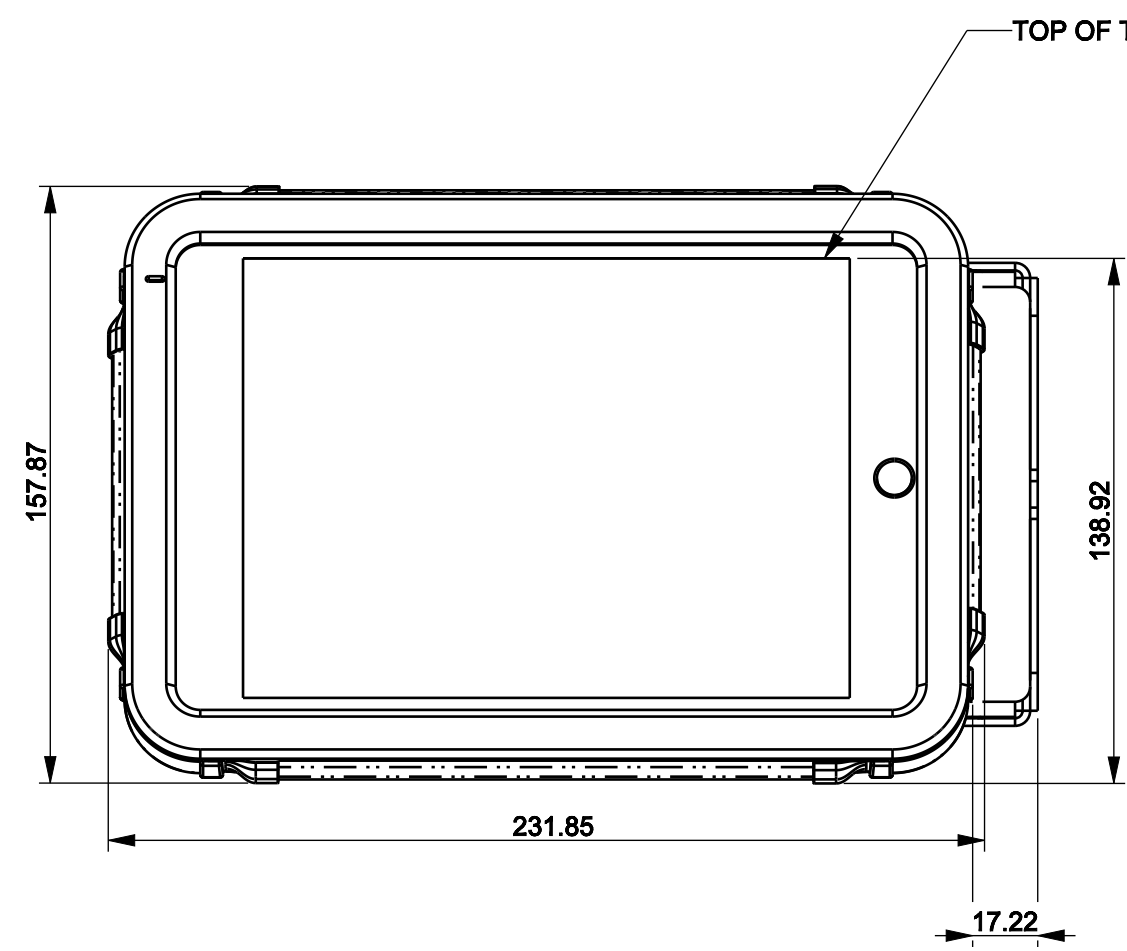


THIS DRAWING AND THE INFORMATION THEREIN ARE PROPERTY OF MAGTARGET AND SHALL NOT BE REPRODUCED, COPIED, RECORDED IN ANY MEDIA, USED FOR ANY OTHER PURPOSE OR DELIVERED AND/OR DISCLOSED TO ANY THIRD PARTY WITHOUT WRITTEN CONSENT OF MAGTARGET.

| REVISIONS | | | | |
|-----------|-----|-------------|------------|----------|
| ZONE | REV | DESCRIPTION | DATE | APPROVED |
| | | | 2020-06-02 | |



| ITEM | DESCRIPTION | PART NUMBER | QTY |
|------|--------------------------------|--------------|-----|
| 3 | BRACKET, SIDE MULLION, W COVER | 273-0040 | 1 |
| 2 | BRACKET, 15 DEGREES MOUNT, | 273-0022-000 | 1 |
| 1 | | 577-SUB-ASSM | 1 |

| | | |
|--|--------------------------|------|
| UNLESS OTHERWISE SPECIFIED DIMENSIONS ARE IN MM. TOLERANCES ARE: MILLIMETERS ANGLES X± 1.0 MM ± 0.5 .X± 0.50 MM .XX± 0.25 MM .XXX± 0.125MM NOTE: INCHES=MM/25.4 | - DO NOT SCALE DRAWING - | |
| | APPROVALS | DATE |
| | DRAWN BY | |
| | CHECKED | |
| FINISH | ENGINEER | |
| | MATERIAL | |
| REMOVE ALL BURRS & SHARP CORNERS | | |

VISUALTARGET 8" IPAD, 4 LIGHTS 15 DEGREE, SIDE MOUNT

| | | | |
|------------------|----------------|-----------------------------------|-----|
| SIZE B | MODEL NUMBER | DWG NO. 577-1111-100-SIDEMOUNT | REV |
| MASS 1.313 | SCALE 0.500 | SHEET SHEET 1 OF 1 | |