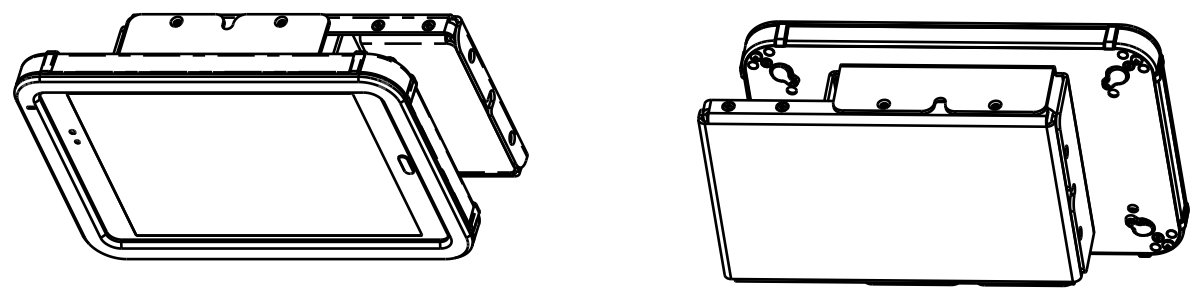
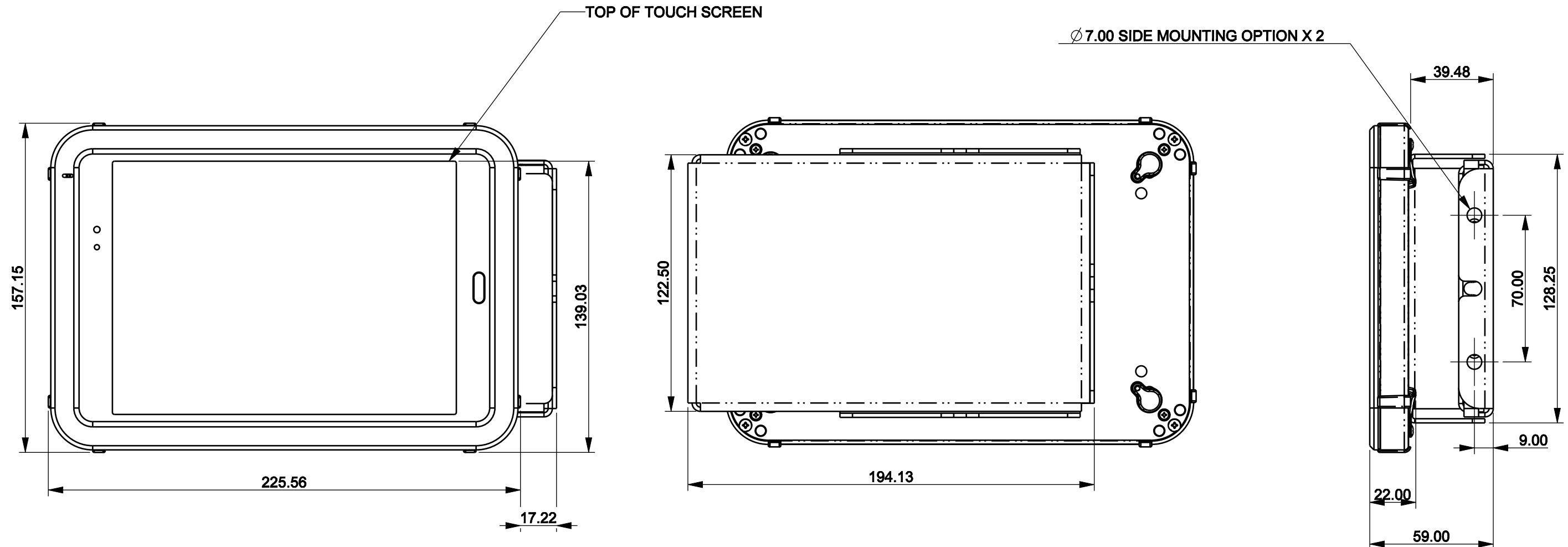


THIS DRAWING AND THE INFORMATION THEREIN ARE PROPERTY OF MAGTARGET AND SHALL NOT BE REPRODUCED, COPIED, RECORDED IN ANY MEDIA, USED FOR ANY OTHER PURPOSE OR DELIVERED AND/OR DISCLOSED TO ANY THIRD PARTY WITHOUT WRITTEN CONSENT OF MAGTARGET.

REVISIONS				
ZONE	REV	DESCRIPTION	DATE	APPROVED
			2020-06-02	



ITEM	DESCRIPTION	PART NUMBER	QTY
3	BRACKET, SIDE MULLION, W COVER	273-0040	1
2		580-SUB-ASSM	1
1		273-0028	1

UNLESS OTHERWISE SPECIFIED DIMENSIONS ARE IN MM. TOLERANCES ARE: MILLIMETERS ANGLES X ± 1.0 MM ± 0.5 .X ± 0.50 MM .XX ± 0.25 MM .XXX ± 0.125MM		- DO NOT SCALE DRAWING -			
APPROVALS		DATE			
DRAWN BY		CHECKED		VISUALTARGET 8" SAMSUNG T350, 0 LIGHTS 0 DEGREE, SIDE MOUNT	
ENGINEER		MATERIAL			
FINISH		SIZE	MODEL NUMBER	DWG NO.	REV
REMOVE ALL BURRS & SHARP CORNERS		B		580-0000-000-SIDEMOUNT	
		MASS	SCALE	SHEET	
		0.871	0.500	SHEET 1 OF 1	