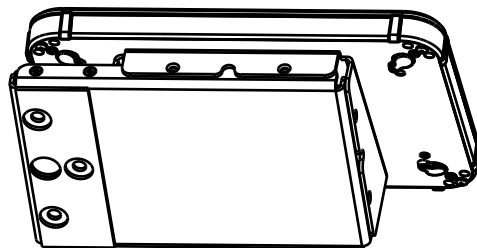
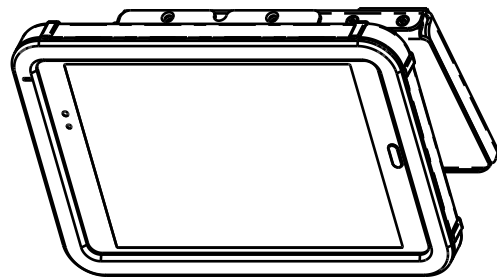
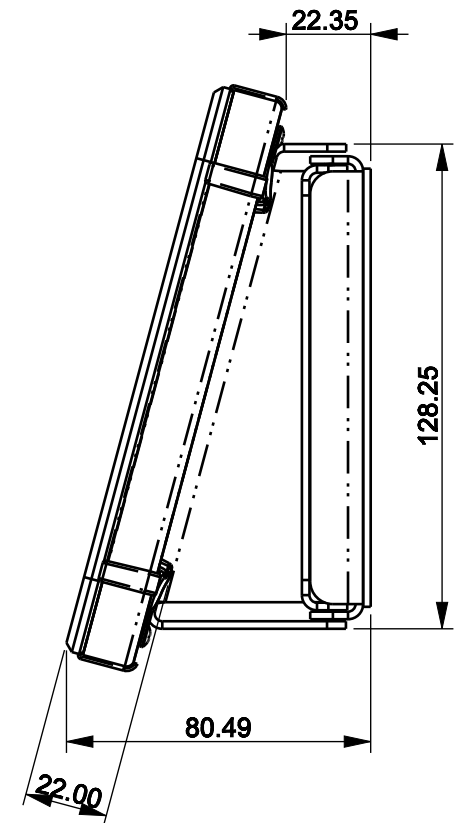
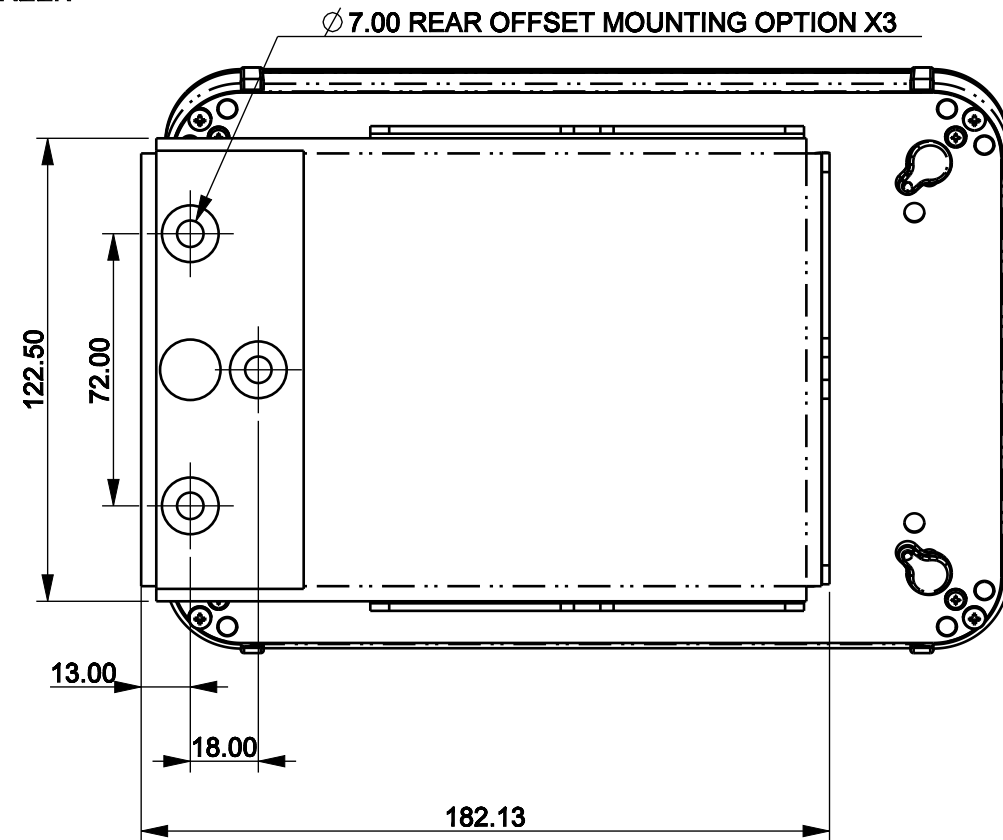
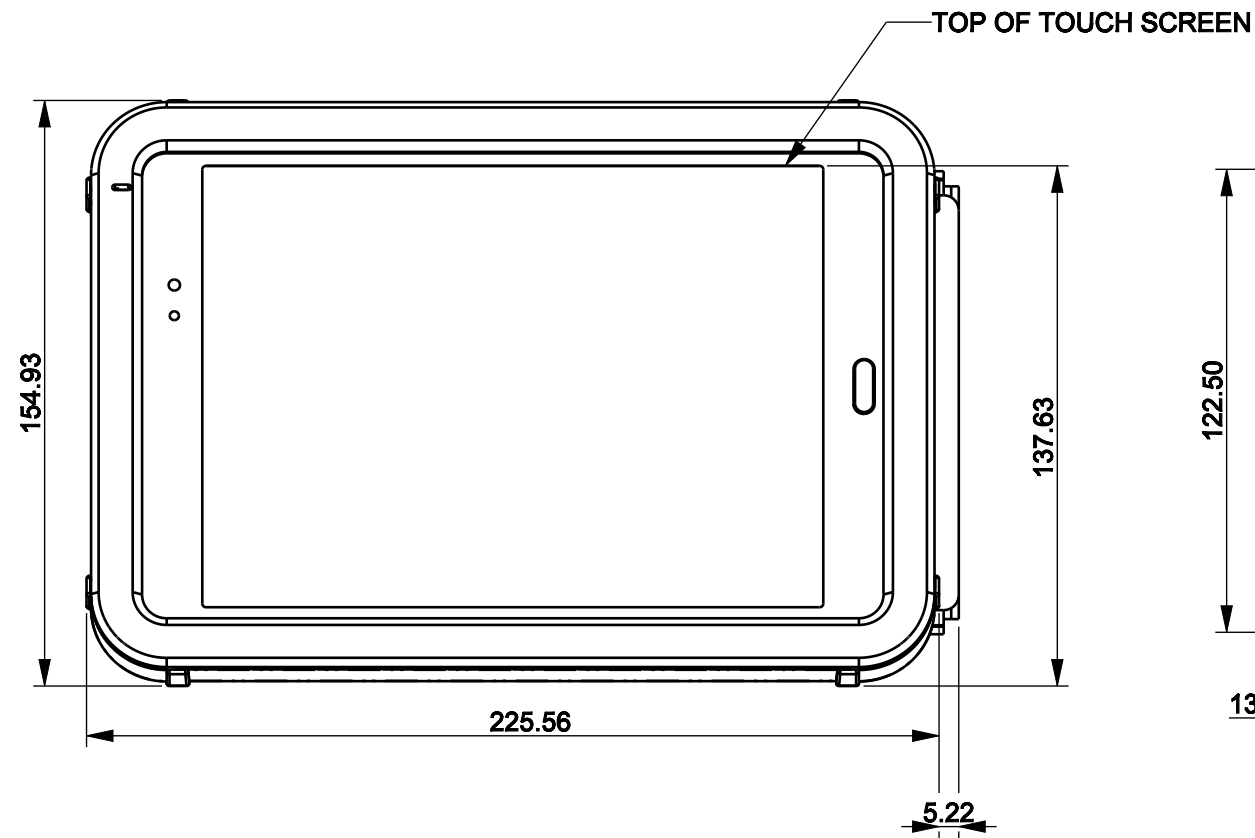


THIS DRAWING AND THE INFORMATION THEREIN ARE PROPERTY OF MAGTARGET AND SHALL NOT BE REPRODUCED, COPIED, RECORDED IN ANY MEDIA, USED FOR ANY OTHER PURPOSE OR DELIVERED AND/OR DISCLOSED TO ANY THIRD PARTY WITHOUT WRITTEN CONSENT OF MAGTARGET.

REVISIONS				
ZONE	REV	DESCRIPTION	DATE	APPROVED
			2020-06-02	



ITEM	DESCRIPTION	PART NUMBER	QTY
3	BRACKET, REAR-OFFSET,	273-0041	1
2	BRACKET, 15 DEGREES MOUNT,	273-0022-000	1
1		577-SUB-ASSM	1

UNLESS OTHERWISE SPECIFIED
DIMENSIONS ARE IN MM.
TOLERANCES ARE:
MILLIMETERS ANGLES
X ± 1.0 MM ± 0.5
.X ± 0.50 MM
.XX ± 0.25 MM NOTE:
.XXX ± 0.125MM INCHES=MM/25.4

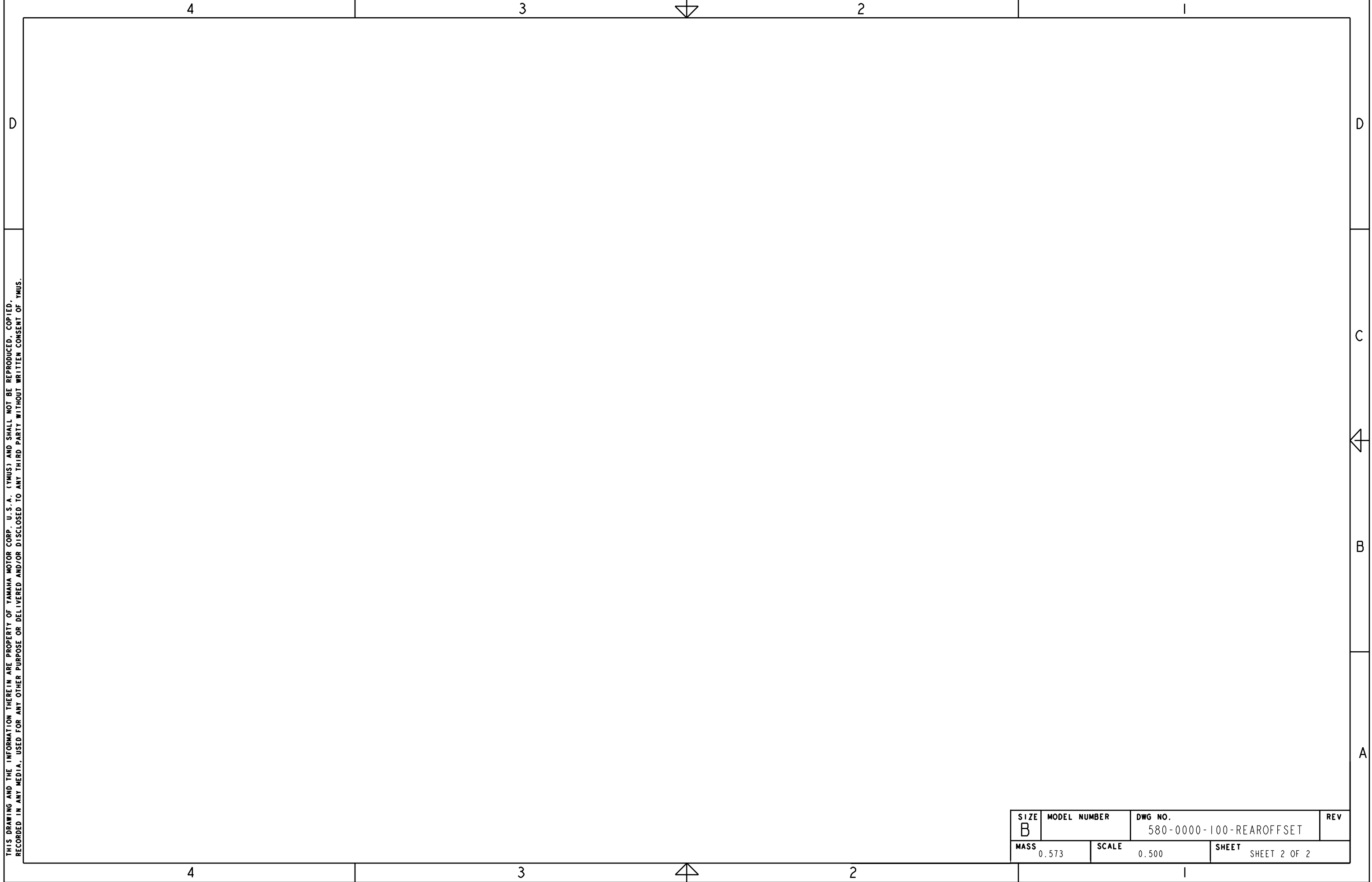
- DO NOT SCALE DRAWING -

APPROVALS	DATE
DRAWN BY	
CHECKED	
ENGINEER	



**VISUALTARGET 8" SAMSUNG TAB-A T350, NO LIGHTS
15 DEGREE, REAROFFSET MOUNT**

FINISH	MATERIAL	SIZE B	MODEL NUMBER	DWG NO. 580-0000-100-REAROFFSET	REV
REMOVE ALL BURRS & SHARP CORNERS	MASS 0.573	SCALE 0.500	SHEET SHEET 1 OF 2		



THIS DRAWING AND THE INFORMATION THEREIN ARE PROPERTY OF YAMAHA MOTOR CORP., U.S.A. (YMUS) AND SHALL NOT BE REPRODUCED, COPIED, RECORDED IN ANY MEDIA, USED FOR ANY OTHER PURPOSE OR DELIVERED AND/OR DISCLOSED TO ANY THIRD PARTY WITHOUT WRITTEN CONSENT OF YMUS.

SIZE B	MODEL NUMBER	DWG NO. 580-0000-100-REAROFFSET	REV
MASS 0.573	SCALE 0.500	SHEET SHEET 2 OF 2	