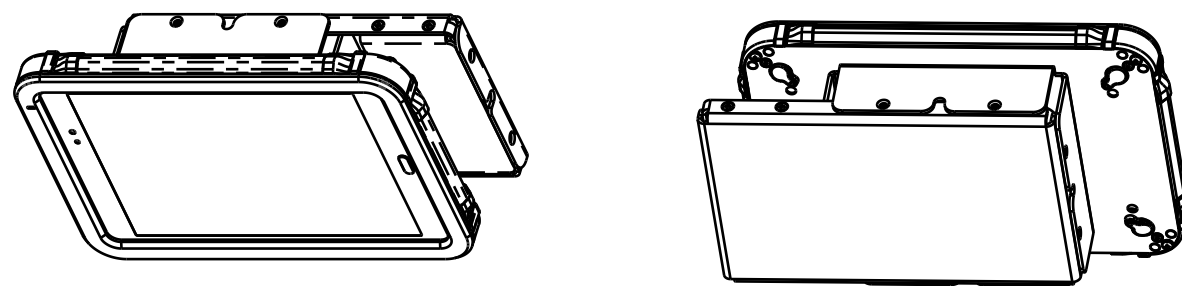
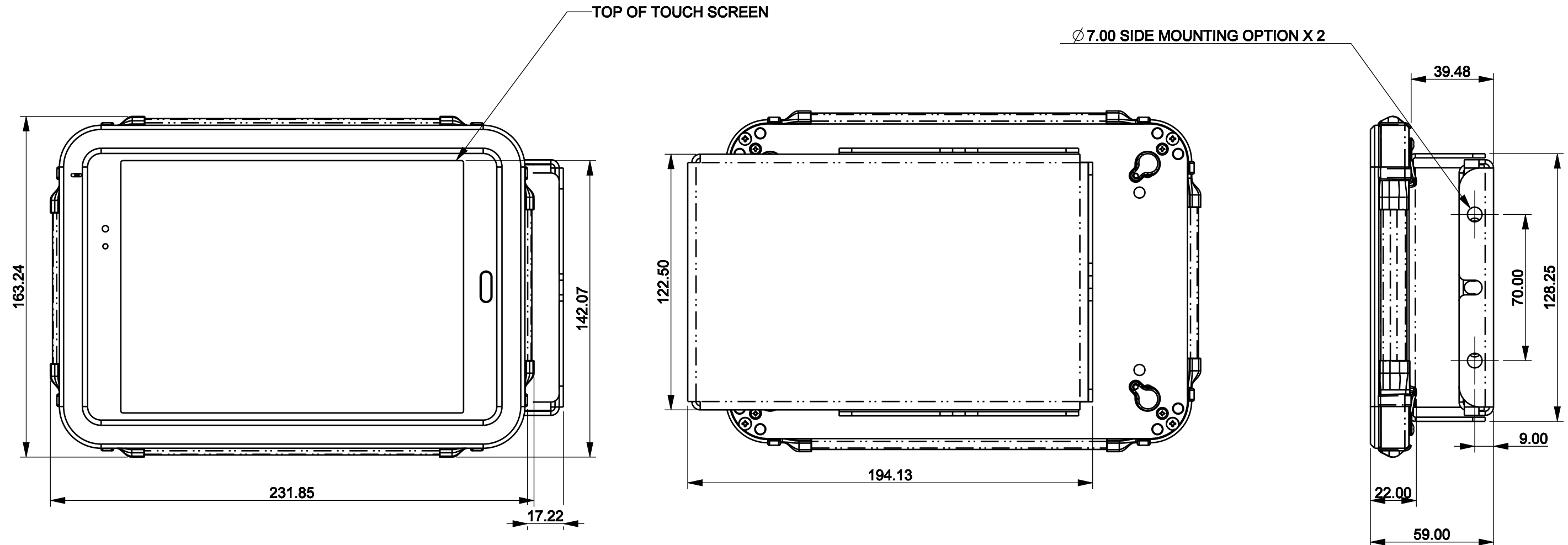


THIS DRAWING AND THE INFORMATION THEREIN ARE PROPERTY OF MAGTARGET AND SHALL NOT BE REPRODUCED, COPIED, RECORDED IN ANY MEDIA, USED FOR ANY OTHER PURPOSE OR DELIVERED AND/OR DISCLOSED TO ANY THIRD PARTY WITHOUT WRITTEN CONSENT OF MAGTARGET.

REVISIONS				
ZONE	REV	DESCRIPTION	DATE	APPROVED
			2020-06-02	



3	BRACKET, SIDE MULLION, W COVER	273-0040	1
2		580-SUB-ASSM	1
1		273-0028	1
ITEM	DESCRIPTION	PART NUMBER	QTY

UNLESS OTHERWISE SPECIFIED DIMENSIONS ARE IN MM. TOLERANCES ARE: MILLIMETERS ANGLES X ± 1.0 MM ± 0.5 .X ± 0.50 MM .XX ± 0.25 MM .XXX ± 0.125MM		- DO NOT SCALE DRAWING -			
FINISH		APPROVALS	DATE		
REMOVE ALL BURRS & SHARP CORNERS		DRAWN BY	CHECKED	VISUALTARGET 8" SAMSUNG T350, 4 LIGHTS 0 DEGREE, SIDE MOUNT	
		ENGINEER			
		MATERIAL		SIZE B	MODEL NUMBER 580-1111-000-SIDEMOUNT
				DWG NO. 580-1111-000-SIDEMOUNT	REV
		MASS 0.877	SCALE 0.500	SHEET SHEET 1 OF 1	