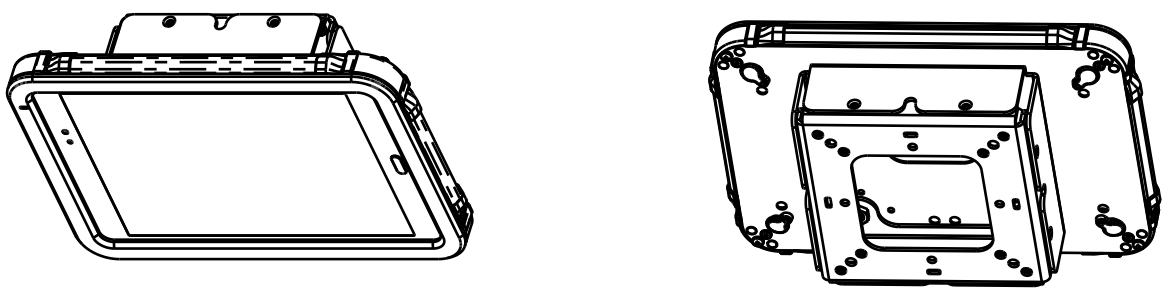
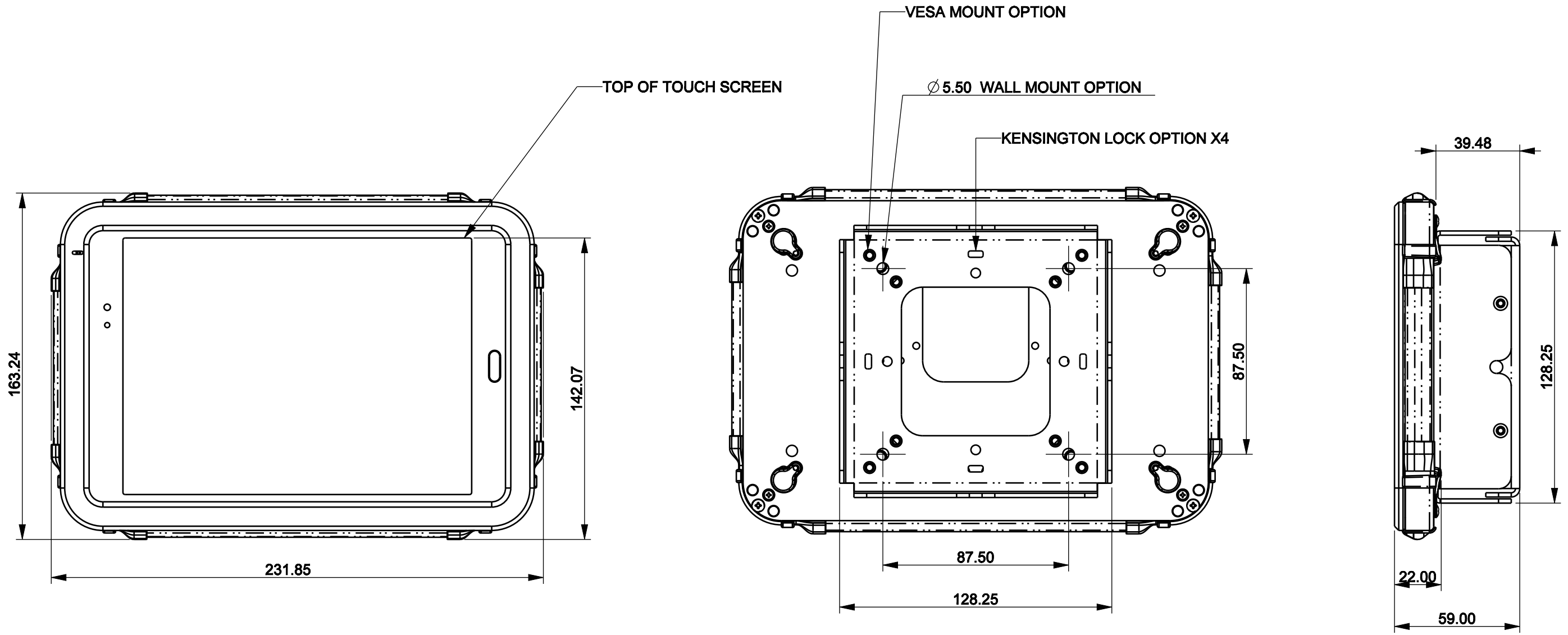


THIS DRAWING AND THE INFORMATION THEREIN ARE PROPERTY OF MAGTARGET AND SHALL NOT BE REPRODUCED, COPIED, RECORDED IN ANY MEDIA, USED FOR ANY OTHER PURPOSE OR DELIVERED AND/OR DISCLOSED TO ANY THIRD PARTY WITHOUT WRITTEN CONSENT OF MAGTARGET.

REVISIONS				
ZONE	REV	DESCRIPTION	DATE	APPROVED
			2020-06-02	



ITEM	DESCRIPTION	PART NUMBER	QTY
3	BRACKET, SURFACE-MOUNT,	273-0048	1
2		580-SUB-ASSM	1
1		273-0028	1

UNLESS OTHERWISE SPECIFIED DIMENSIONS ARE IN MM. TOLERANCES ARE: MILLIMETERS ANGLES X ± 1.0 MM ± 0.5 .X ± 0.50 MM .XX ± 0.25 MM NOTE: .XXX ± 0.125MM INCHES=MM/25.4		- DO NOT SCALE DRAWING - APPROVALS DATE DRAWN BY CHECKED ENGINEER MATERIAL REMOVE ALL BURRS & SHARP CORNERS				
VISUALTARGET 8" SAMSUNG T350, 4 LIGHTS 0 DEGREE, SURFACE MOUNT						
FINISH	SIZE B	MODEL NUMBER	DWG NO. 580-1111-000-SURFACEMOUNT	REV		
	MASS 0.615	SCALE 0.500	SHEET SHEET 1 OF 1			